

MILLER NITRO SPRAYER

Models

200/2200T/2200TSS

200HT/2200HT

275/2275HT

SN 21.12733 & AFTER
3200T/3200TSS/3200HT
3275HT



NITRO™

Miller St. Nazianz Inc.
PO Box 127
511 East Main Street
St. Nazianz, WI 54232
(920) 773-2121
FAX: (920) 773-1200

#21.22637J
Effective on S/N 21.12239
Revision J

THIS PAGE INTENTIONALLY BLANK

TABLE OF CONTENTS

DECALS	1-6
SPRAYER BOOM	2-1
SPRAYER BOOM, LEFT HAND SIDE (1 OF 2)	2-2
SPRAYER BOOM, RIGHT HAND SIDE (1 OF 2)	2-6
BOOM CLAMP DETAILS	2-10
WET SYSTEM	3-1
WET LINE, 60' BOOM	3-2
WET LINE, 75' BOOM	3-4
WET LINE, 80' BOOM	3-6
WET LINE, 90' BOOM	3-8
WET LINE, 90' BOOM	3-10
FOAMER HEAD	3-12
FOAMER VALVE ASSEMBLY	3-13
FOAMER WET SYSTEM	3-14
FOAMER WET SYSTEM	3-16
SPRAY MONITOR, RADAR & FLOW CONTROL	3-18
RAVEN RADAR REPLACEMENT PARTS	3-20
PRODUCT PUMP, LOW FLOW - #21.20663	3-22
PUMP W/ MOTOR, 9307C-GM10 - 21.23923	3-23
PRODUCT PUMP, HIGH FLOW	3-24
PRODUCT PUMP, HIGH FLOW	3-25
SELF-PRIMING PUMP	3-26
HAND RINSE CIRCUIT	3-27
WET SYSTEM (PRIOR TO 2000)	3-28
SPRAY CIRCUIT FRAME - #21.00209 (2000 TO S/N 21.12190) (1 OF 2)	3-32
SPRAY CIRCUIT, #21.22212 FRAME (S/N 21.12191 THRU 21.12459)	3-36
SPRAY CIRCUIT, #21.23677 FRAME (S/N 21.12460 & AFTER)	3-38
SPRAY CIRCUIT, #21.20966 SELF PRIMING PUMP	3-40
SPRAY CIRCUIT, #21.23678 SELF PRIMING PUMP	3-44
SPRAY CIRCUIT, #21.24368 9307 PUMP	3-46
SPRAY CIRCUIT, #21.24368 9307 PUMP	3-47
SPRAY CIRCUIT, BOOM	3-48
HIGH FLOW PUMP OPTION - #21.00638	3-56
HIGH FLOW PUMP OPTION #21.00675 FIELD INSTALLED	3-56
3" QUICK FILL	3-58
EDUCTOR KIT OPTIONAL	3-60
EDUCTOR OPTION	3-62
EDUCATOR OPTION 21.24546 - SELF PRIMING PUMP	3-64
EDUCATOR OPTION 21.24546	3-65
SELF PRIMING PUMP	3-65
REAR NOZZLE ATTACHMENT OPTION	3-66
IN-LINE FILTER OPTION	3-68
FENCE ROW KIT OPTION	3-70
OPTIONS FOR WET SYSTEM, PRESSURE WASHER KIT	3-72
PRESSURE WASHER KIT	3-74
PRESSURE WASHER, PACE	3-76
POWER WASHER, PACE	3-78
BOOM BLOW OUT OPTION	3-79
OPTIONAL ELECTRIC RINSE KIT FOR CHEMICAL INDUCTOR, #21.00688	3-80
KIT, WASHER 4101N-EH, HYPRO	3-82

AIR CONDITIONING, CAB & TANKS, CHASSIS.	4-1
OPTIONAL TANK PARTS	4-2
TANKS & COMPONENTS (1 OF 2)	4-4
CAB & TANKS (1 OF 3)	4-8
CAB OPTIONAL BRACKETS AND POWER OUTLETS	4-14
AIR RIDE KIT	4-16
WINDSHIELD WIPER	4-18
AC & HEATER HOUSING	4-20
CAB GLASS AND DOOR	4-22
CAB GLASS AND DOOR	4-24
CAB, INTERIOR	4-26
CAB, EXTERIOR	4-28
CAB EXTERIOR	4-30
LIGHTS, CAB EXTERIOR	4-32
AIR CONDITIONER	4-34
FRAME	4-36
TIRE, WHEEL & DRIVE MOTOR OPTION (1 OF 2)	4-42
DRIVE MOTOR REPAIR PARTS (1 OF 2)	4-46
LIFT ARMS & ATTACHMENTS (1 OF 2)	4-50
FENDERS & RELATED	4-54
KIT-MOLDED FENDERS	4-56
KIT-MOLDED FENDERS 2200T	4-57
200/2200T/2200TSS HYDRAULIC RESERVOIR ASM. (21.00207)	4-58
275/2275HT RESERVOIR ASM (#21.20621)	4-60
DECK COMPONENTS - 200'S PRIOR TO S/N 21.12000	4-62
DECK COMPONENTS - CURRENT MODELS	4-64
SHEET METAL 200/2200T/2200TSS (S/N 21.12001 AND AFTER) & 200HT/2200HT	4-66
TALL RADIATOR OPTION - 21.00796 & 21.00797	4-68
SHEET METAL 275/2275HT	4-70
SHEET METAL 3275HT (S/N 21.12733 & AFTER)	4-72
COOLING SYSTEM PRE-CLEANER ROTARY SCREEN OPTIONS	4-74
ENGINE & COOLING.	5-1
ENGINE, FUEL SYSTEM & FITTINGS, 200 HP (1 OF 2)	5-2
ENGINE, FUEL SYSTEM & FITTINGS, 275 HP (1 OF 2)	5-6
ENGINE, FUEL SYSTEM & FITTINGS, 275 HP (2 OF 2)	5-8
ENGINE COMPONENTS & HYDROSTATS, 200/2200T/2200TSS & 200HT/2200HT (1 OF 2)	5-10
ENGINE COMPONENTS & HYDROSTATS, 275/2275HT (1 OF 2)	5-14
ENGINE COOLING, 200/2200T/2200TSS & 200HT/2200HT (1 OF 2)	5-18
ENGINE COOLING, 275/2275HT	5-22
HYDRAULICS	6-1
O-RING SERVICE PARTS FOR FITTINGS	6-1
HYDROSTAT	6-2
CONTROL CONCEPTS VALVE	6-4
BOOM VALVE	6-4
21.24682 - VALVE, INTEGRATED MANIFOLD	6-6
21.25246 - MANIFOLD, BOOM	6-8
SUSPENSION VALVE ASSEMBLY	6-10
VALVE SERVICE PARTS (1 OF 2)	6-12
HI PRESSURE FILTRATION KIT	6-16
MANIFOLD ASSEMBLY – 2275HT REVERSING FAN	6-17
KIT- CASE DRAIN FLOW METER	6-18

ELECTRICAL CONTROLS & COMPONENTS 7-1

ARM REST CONTROL 7-2

POWER DISTRIBUTION 7-4

HYDROSTAT CONTROL. 7-6

HYDROSTAT CONTROL. 7-8

ELECTRICAL CONNECTORS WEATHER PACK 7-10

CONNECTORS (1 OF 2) 7-12

ARMREST WIRE HARNESS COMPLETE ASSEMBLY. 7-16

MAIN WIRE HARNESS 7-17

LEFT FRAME WIRE HARNESS COMPLETE ASSEMBLY 7-18

RIGHT FRAME WIRE HARNESS ASSEMBLY 7-19

RIGHT FRAME WIRE HARNESS ASSEMBLY 7-20

BOOM WIRE HARNESS COMPLETE ASSEMBLY 7-21

BOOM WIRE HARNESS EXTENSION 7-21

MISCELLANEOUS WIRE HARNESS 7-22

MAIN WIRE HARNESS 7-23

RIGHT FRAME WIRE HARNESS 7-24

LEFT FRAME WIRE HARNESS. 7-24

ARMREST WIRE HARNESS 7-25

ENGINE MONITOR HARNESS 7-25

SERVICE KITS 8-1

SERVICE KITS & DEALER INSTALLED OPTIONS 8-1

OPTIONS, DEALER INSTALLED. 8-2

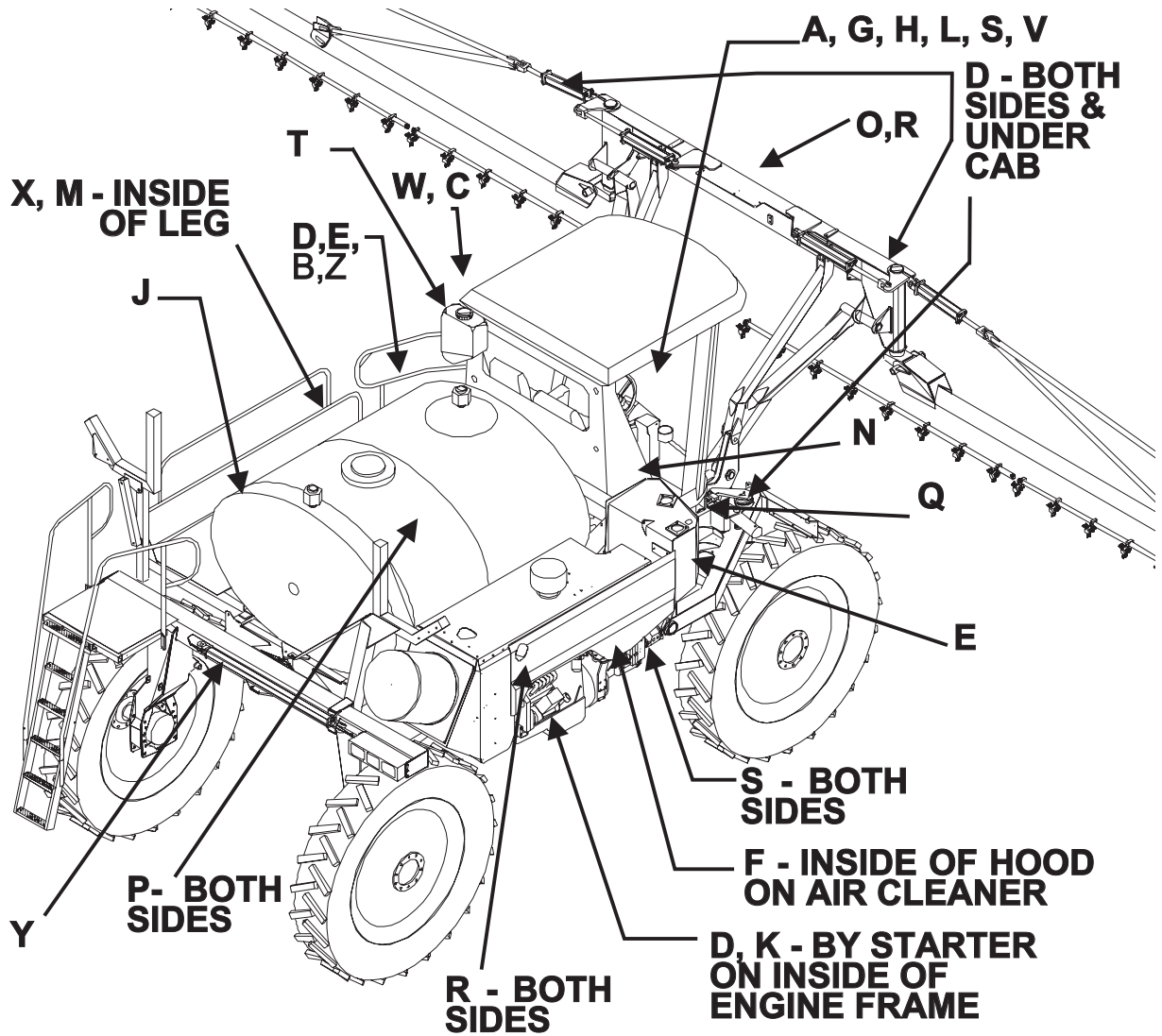
FILTERS AND FILTER KITS 8-3

INDEX, NUMERICAL 9-1

INDEX, ALPHA 9-21

RECORD OF REVISION 9-22

DECALS



W - UNDER CAB

**NOTE: PAINT, (RED) 21.24070 (GAL)
 CATALYST FOR PAINT 21.24080 (QUART)
 PAINT, (BLACK) 21.24077 (GAL)
 PRIMER, 21.24078 (GAL)
 CATALYST FOR PRIMER 21.24081 (QUART)
 PAINT, TITANIUM BLACK, CUMMINS ENGINE, 21.24751**

PART NO.	DESCRIPTION
21.00765	Decal Kit Nitro 200HP 11 DRVMTR
21.00766	Decal Kit Nitro 200HP 18 DRVMTR
21.00767	Decal Kit Nitro 275HP 18 DRVMTR


<p style="text-align: center;">⚠ CAUTION</p> <p>Prolonged exposure to pesticides can cause injury or death.</p> <p>To minimize risk:</p> <ul style="list-style-type: none"> • Allow only trained, certified applicators to apply pesticides. • Keep pesticides out of cab. • Follow all instructions in: <ul style="list-style-type: none"> • US EPA Workers Protection Standard for Agriculture pesticides. • State or regional guidelines for worker safety and health. • Manufacturer's label for each pesticide applied. • Operator's manual for this machine. <p style="text-align: center;">NOT FOR USE WITH FUMIGANTS.</p>	<p style="text-align: center;">⚠ WARNING</p> <ol style="list-style-type: none"> 1. After starting engine, operate at approximately 1200 RPM, (no load) for one to two minutes. If temperature is below freezing point, operate engine from two to four minutes. (no load) 2. If stalled while working, start engine immediately to provide turbocharger lubrication. 3. Before stopping warm engine, idle several minutes under 1000 RPM to cool turbocharger turbine. 4. After prolonged idle periods, see operator's manual for starting instructions. <p style="text-align: right; font-size: small;">21.09020</p>
<p>DECAL A. PART NO. 21.09020</p>	

<p>⚠ WARNING ⚠</p>
<p>AGRICULTURAL CHEMICALS ARE TOXIC. CHEMICALS NOT SAFELY USED, HANDLED, STORED AND DISPOSED OF CAN CAUSE SERIOUS INJURY OR DEATH TO INDIVIDUALS OR HARM TO THE ENVIRONMENT.</p> <p>WEAR PROTECTIVE CLOTHING AND EQUIPMENT.</p> <p>IT IS YOUR RESPONSIBILITY TO CHOOSE THE BEST CHEMICAL FOR YOUR APPLICATION.</p> <p>READ, UNDERSTAND, AND FOLLOW THE CHEMICAL MANUFACTURER'S LABEL.</p> <p>CONTACT YOUR CHEMICAL SUPPLIER, COUNTY EXTENSION AGENT OR OTHER QUALIFIED PERSON IF YOU HAVE QUESTIONS ON CHEMICAL USAGE.</p> <p style="text-align: right; font-size: x-small;">07-05527</p>
<p>DECAL B. PART NO. 07.05527</p>

<p>⚠ DANGER</p>	
	<p>NO RIDERS ON WALKWAYS OR LADDERS AS INJURY OR DEATH MAY OCCUR</p>
<p>DECAL C. PART NO. 21.09026</p>	

<p>⚠ WARNING</p>

<p>Avoid bodily injuries from hydraulic oil and gas under pressure.</p> <p>Before removing or charging accumulator</p> <ol style="list-style-type: none"> 1. Start engine. 2. Relieve the pressure in the circuit by collapsing the cylinder and holding the valve open for 5 seconds. 3. Stop the engine. <p>Use only DRY NITROGEN for recharging accumulator.</p> <p style="text-align: right; font-size: x-small;">21.09044</p>
<p>DECAL D. PART NO. 21.09044</p>


<p>AVOID HIGH-PRESURE FLUIDS</p> <p>AVOID THE HAZARD BY RELIEVING PRESSURE BEFORE DISCONNECTING HYDRAULIC OR OTHER LINES. TIGHTEN ALL CONNECTIONS BEFORE APPLYING PRESSURE.</p> <p>SEARCH FOR LEAKS WITH A PIECE OF CARDBOARD. PROTECT HANDS AND BODY FROM HIGH PRESSURE FLUIDS.</p> <p style="text-align: right; font-size: x-small;">21.09024</p>
<p>DECAL E. PART NO. 21.09024</p>

<p>CAUTION: R-134a REFRIGERANT UNDER PRESSURE, SYSTEM TO BE SERVICED BY QUALIFIED PERSONEL.</p>								
<p>SIGHT GLASS CANNOT BE USED FOR ACCURATE REFRIGERANT CHARGE DETERMINATION; THE FOLLOWING IS CORRECT CHARGING INFORMATION.</p> <table style="width: 100%; border: none;"> <tr> <td style="padding-right: 20px;">REFRIGERANT TYPE:</td> <td>R-134a</td> </tr> <tr> <td>REFRIGERANT QUANTITY:</td> <td>60 OZ. MAXIMUM</td> </tr> <tr> <td>OIL TYPE:</td> <td>SANDEN SP-20 PAG</td> </tr> <tr> <td>SYSTEM QTY.</td> <td>8.1 FL. OZ.</td> </tr> </table>	REFRIGERANT TYPE:	R-134a	REFRIGERANT QUANTITY:	60 OZ. MAXIMUM	OIL TYPE:	SANDEN SP-20 PAG	SYSTEM QTY.	8.1 FL. OZ.
REFRIGERANT TYPE:	R-134a							
REFRIGERANT QUANTITY:	60 OZ. MAXIMUM							
OIL TYPE:	SANDEN SP-20 PAG							
SYSTEM QTY.	8.1 FL. OZ.							
<p>MILLER APPLICATION TECHNOLOGY 511 E. MAIN STREET ST. NAZIANZ, WI 54232</p> <p style="text-align: right; font-size: x-small;">21.09045</p>								
<p>DECAL F. PART NO. 21.09045</p>								



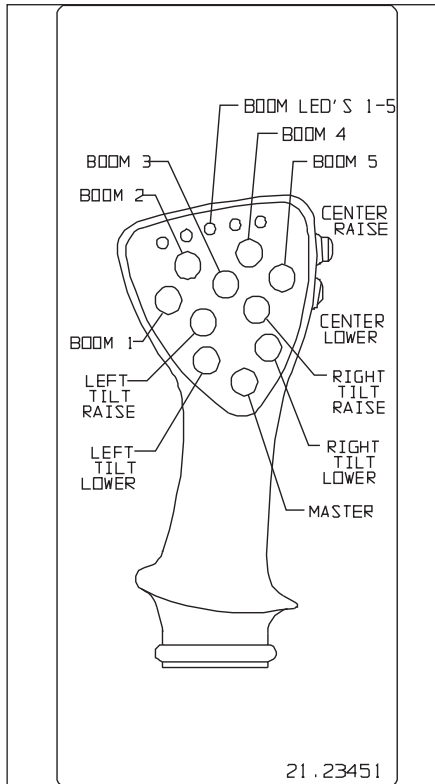
DECAL G. PART NO. 14.77851



DECAL J. PART NO. 21.09025

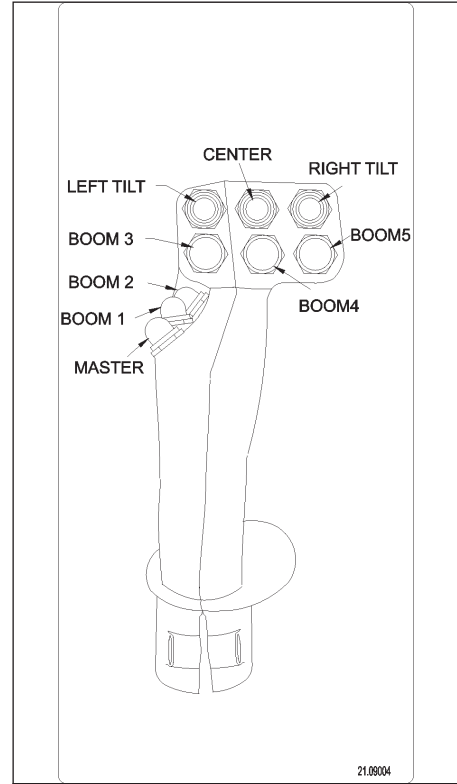


DECAL K COMES W/ 21.00561



21.23451

DECAL H. PART NO. 21.23451 S/N 21.12422 & AFTER



21.09004

DECAL H. PART NUMBER 21.09004

DECAL L. PART NO. 21.09006

PART NUMBER 21.24365

DECAL L. PART NO. 21.21225 275/2275HT CURRENT DECAL

PART NUMBER 21.20860 USED ON FIRST YEAR'S PRODUCTION OF 275 ORDER 21.21225 AND SWITCH WIRES MA34 PIN 1 WITH MA35 PIN



NITRO

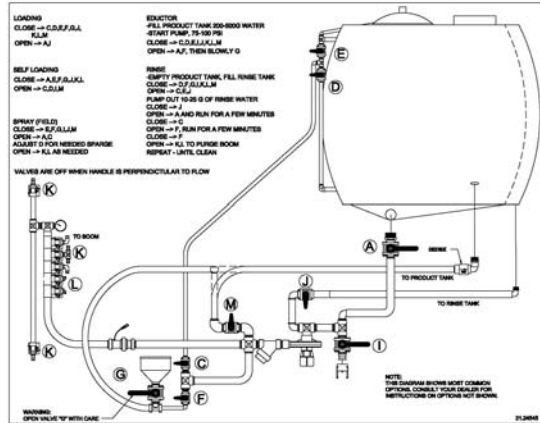
CAUTION

1. Read owners manual before operating this sprayer.
2. Keep all shields in place.
3. Be certain everyone is clear of machine before starting engine or operating.
4. Keep riders off sprayer and equipment.
5. Keep hands, feet, and clothing away from moving parts.
6. Reduce speed when turning or operating around hazards, on rough ground, or steep slopes.
7. Use flashing warning lights on highway unless prohibited by law.
8. Stop engine, put hydro in PARK position and set parking brake before dismounting.
9. Wait for all movement to stop before servicing machinery.
10. Remove key if leaving machine unattended.

-  LOW FUEL
-  PARK BRAKE ON
-  HIGH CASE FLOW
-  STOP ENGINE
-  ENGINE WARNING
-  VOLTAGE
-  ENG AIR FILTER
-  HYD OIL FILTER

-  OIL TEMP/LEVEL
-  CHARGE PRES

**DECAL L. PART NO. 21.24928
3275HT CURRENT DECAL**



DECAL M. PART NO. 21.24545 (WAS 21.22601)


105 ▲ 120 ▲ 132 ▲ 144 ▲ 153 ▲

DECAL N. PART NO. 21.09048




NITRO

DECAL O. PART NO. 21.09040 - 7.5 X 36




NITRO

DECAL P. PART NO. 21.09041 - 18 X 69"



**DECAL Q. PART NO.
21.09042
PRIOR TO S/N 21.12223
10 X 8"**

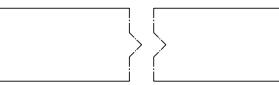


**PART NO. 12.10692
S/N 21.12223 AND
AFTER
4.5 X 4.25**

BLUE QTY 1 - 100"
2 NEEDED PER MACHINE

**DECAL R. PART NO. 21.21261
PRIOR TO S/N 21.12223**

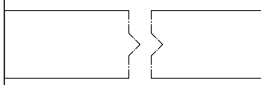
**BLACK 3"
ORDER PER FOOT**



25' PER MACHINE

**PART NO. 21.22494
S/N 21.12223 AND
AFTER**

**SILVER 1"
ORDER PER FOOT**



25' PER MACHINE

**PART NO. 21.22639
S/N 21.12223 AND
AFTER**

CAUTION

DISCONNECT BOTH POSITIVE AND NEGATIVE BATTERY CABLES BEFORE WELDING ON VEHICLE. ATTACH GROUND CABLE OF WELDER NO MORE THAN 2 FEET FROM PART BEING WELDED. DO NOT WELD ON ENGINE OR ENGINE MOUNTED COMPONENTS.

6940

DECAL S. PART NO. 21.21131

WARNING



CHEMICALS




**- NO CHEMICALS
- DO NOT DRINK,
FOR HAND WASHING ONLY**

**- Contaminated Water Consumption
Could Cause Injury Or Death**

07.09573

DECAL T. PART NUMBER 07.09573

WARNING




BOOM MAY DROP SUDDENLY
WITHOUT WARNING

ALWAYS INSTALL THE CYLINDER
STOPS TO HOLD THE BOOM IN
THE RAISED POSITION DURING
STORAGE, TRANSPORT AND
SERVICE.

FAILURE TO HEED MAY RESULT
IN DEATH OR PERSONAL INJURY

21-20121


DECAL W. PART NO. 21.20121



CAUTION

IF YOU RUN OUT OF FUEL
DO NOT APPLY MORE THAN
4 PSI AIR PRESSURE TO TANK TO
TRANSFER FUEL TO ENGINE.
HIGHER PRESSURE WILL
DAMAGE FUEL TANK

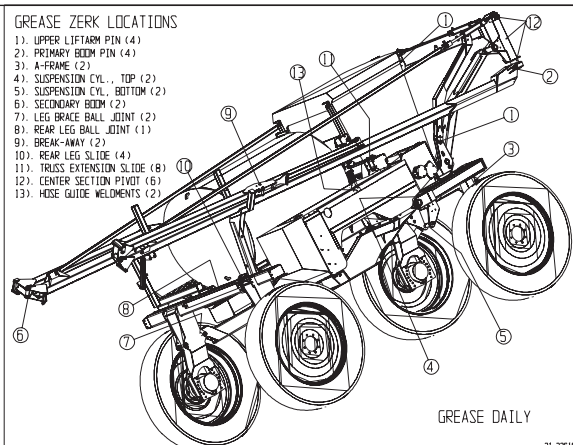
DECAL Z. PART NO. 21.23729



**DECAL V. PART NO. 21.20859
275/2275HT ONLY**

GREASE ZERK LOCATIONS

- 1) UPPER LIFTARM PIN (4)
- 2) PRIMARY BEDM PIN (4)
- 3) A-FRAME (2)
- 4) SUSPENSION CYL., TOP (2)
- 5) SUSPENSION CYL., BOTTOM (2)
- 6) SECONDARY BEDM (2)
- 7) LEG BRACE BALL JOINT (2)
- 8) REAR LEG BALL JOINT (1)
- 9) BREAK-AWAY (2)
- 10) REAR LEG SLIDE (4)
- 11) TRUSS EXTENSION SLIDE (8)
- 12) CENTER SECTION PIVOT (6)
- 13) HOSE GUIDE WELDMENTS (2)



GREASE DAILY

21.22616

DECAL X. PART NO. 21.22616







DECAL Y. PART NO. 21.22503

<p>Initial Start-Up</p> <p>1. Units Of Measure <input type="checkbox"/> US - Vol. Per Acre <input type="checkbox"/> SI - Vol. Per Hectare <input type="checkbox"/> TU - Turf</p> <p>2. Speed Type <input type="checkbox"/> SP1 - Wheel <input type="checkbox"/> SP2 - Radar</p> <p>3. Valve Type <input type="checkbox"/> C-SD <input type="checkbox"/> C-P PWM</p> <p>4. System Type (660 Only) <input type="checkbox"/> LI - Liquid <input type="checkbox"/> GR1 - Single Bed Granular <input type="checkbox"/> GR2 - Split Bed Granular</p>	<div style="display: flex; justify-content: space-between;"> <div style="text-align: center;"> <p>Boom CAL 3</p> <p>1 2</p> <p>Boom Widths</p> <p>Boom 1 _____</p> <p>Boom 2 _____</p> <p>Boom 3 _____</p> <p>Boom 4 _____</p> <p>Boom 5 _____</p> <p>Boom 6 _____</p> <p>Boom 7 _____</p> </div> <div style="text-align: center;"> <p>Speed CAL 4</p> <p>Meter CAL 5</p> <p>Valve CAL 6</p> <p>Rate 1 CAL 7</p> <p>Rate 2 CAL 8</p> <p>Vol In Tank 9</p> <p>Time 0</p> <p>Self Test</p> </div> <div style="text-align: center;"> <p>Data Menu</p> <p>1 2</p> <p>PWM</p> <p>High</p> <p>Low</p> <p>Frequency</p> </div> <div style="text-align: center;"> <p>Meter CAL 5</p> <p>+ 5 SEC</p> </div> </div> <p style="text-align: center;">RAVEN Control Miller Calibration Settings</p> <p style="text-align: right;"><small>21.24129</small></p>
---	---

PART NO 21.24129

STROBE LIGHT DMRON #12077866	2 A RADAR	5 A LEG WIDE	5 A FOAMER
	5 A FENCE (OPT)	5 A PRI & SEC FOLD	5 A PARK BRAKE
ENG. WARN 275 ONLY DMRON #12077866	5 A SPARE	5 A BOOM FUNCTION	5 A PRODUCT PUMP
	5 A 12V ACC	5 A THROTTLE (200 ONLY) RANGE	5 A
#21.21930			
PART NUMBER 21.21930 (S/N 21.12191 & UP) PART NUMBER 21.24739 (S/N 21.12733 & UP)			





	5 A SPARE	5 A LEG WIDE	5 A FOAMER
	5 A FENCE (OPT)	5 A PRI & SEC FOLD	5 A PARK BRAKE
	5 A SPARE	5 A BOOM FUNCTION	5 A PRODUCT PUMP
	10 A 12V ACC	5 A THROTTLE (200 ONLY) RANGE	5 A
#21.22092			
PART NUMBER 21.22092 FOR UP-DATE HARNESS 21.21945			

AUX	 SUMP	 PUMP	 THROTTLE  21.23869
PART NO. 21.23869 S/N 21.12460 & AFTER			


HAND  RINSE
PART NUMBER 21.23870 S/N 21.12460 & AFTER



PART NO. 21.22491 S/N 21.12223 AND UP


PART NO. 21.24704 S/N 21.12773 AND UP

 THROTTLE 
HAND  RINSE
 PUMP 21.07014
PART NO. 21.07014 PRIOR TO S/N 21.12460


PART NO. 21.20806 PRIOR TO S/N 21.12223


PART NO. 21.20807 PRIOR TO S/N 21.12223


PART NO. 21.20808 PRIOR TO S/N 21.12223


PART NO. 21.22492 S/N 21.12223 AND UP


PART NO. 21.22493 S/N 21.12223 AND UP


PART NO. 21.22621 S/N 21.12223 AND UP


PART NO. 21.22622 S/N 21.12223 AND UP

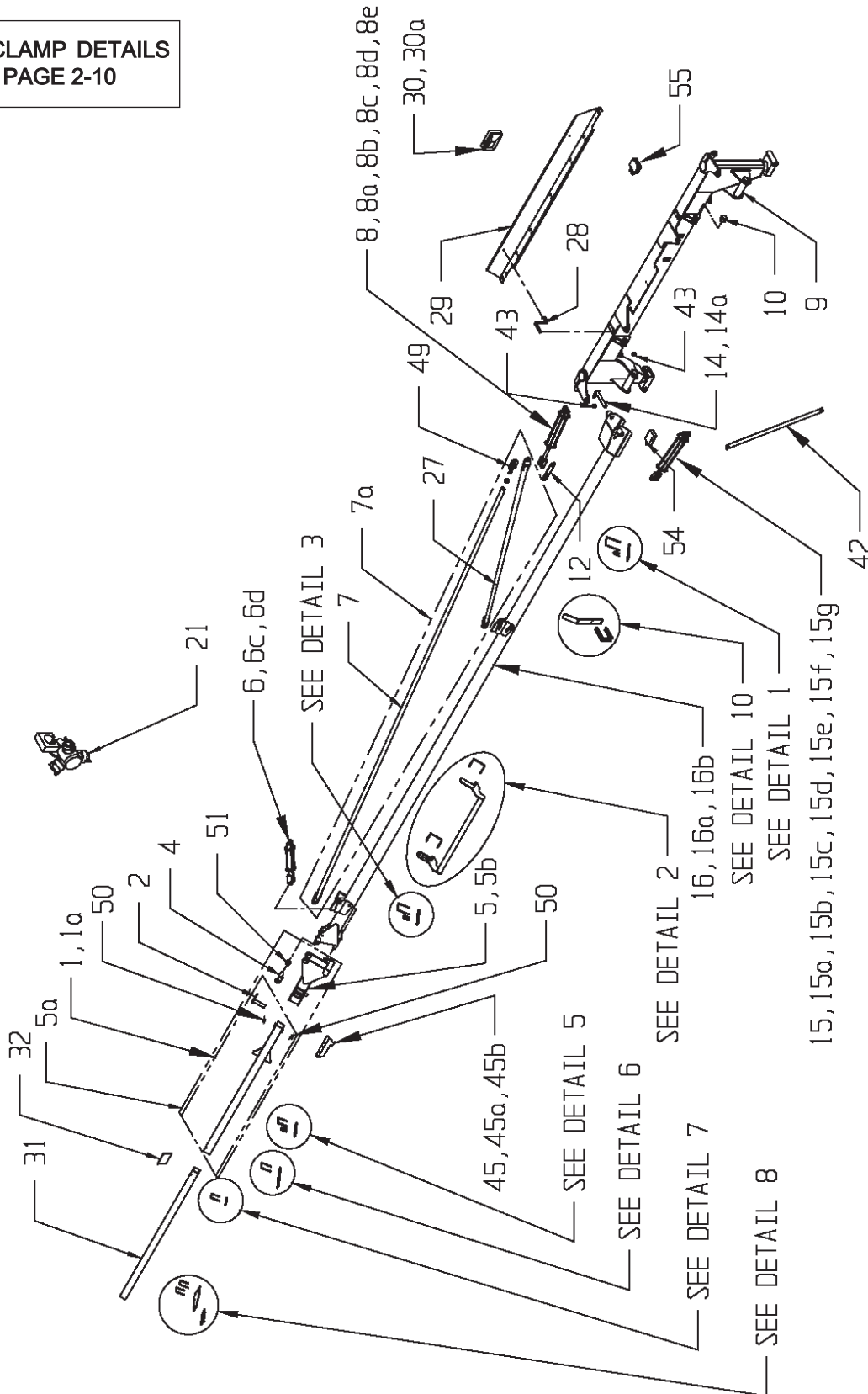


SPRAYER BOOM

THIS PAGE INTENTIONALLY BLANK

SPRAYER BOOM, LEFT HAND SIDE (1 OF 2)

BOOM CLAMP DETAILS
ARE ON PAGE 2-10

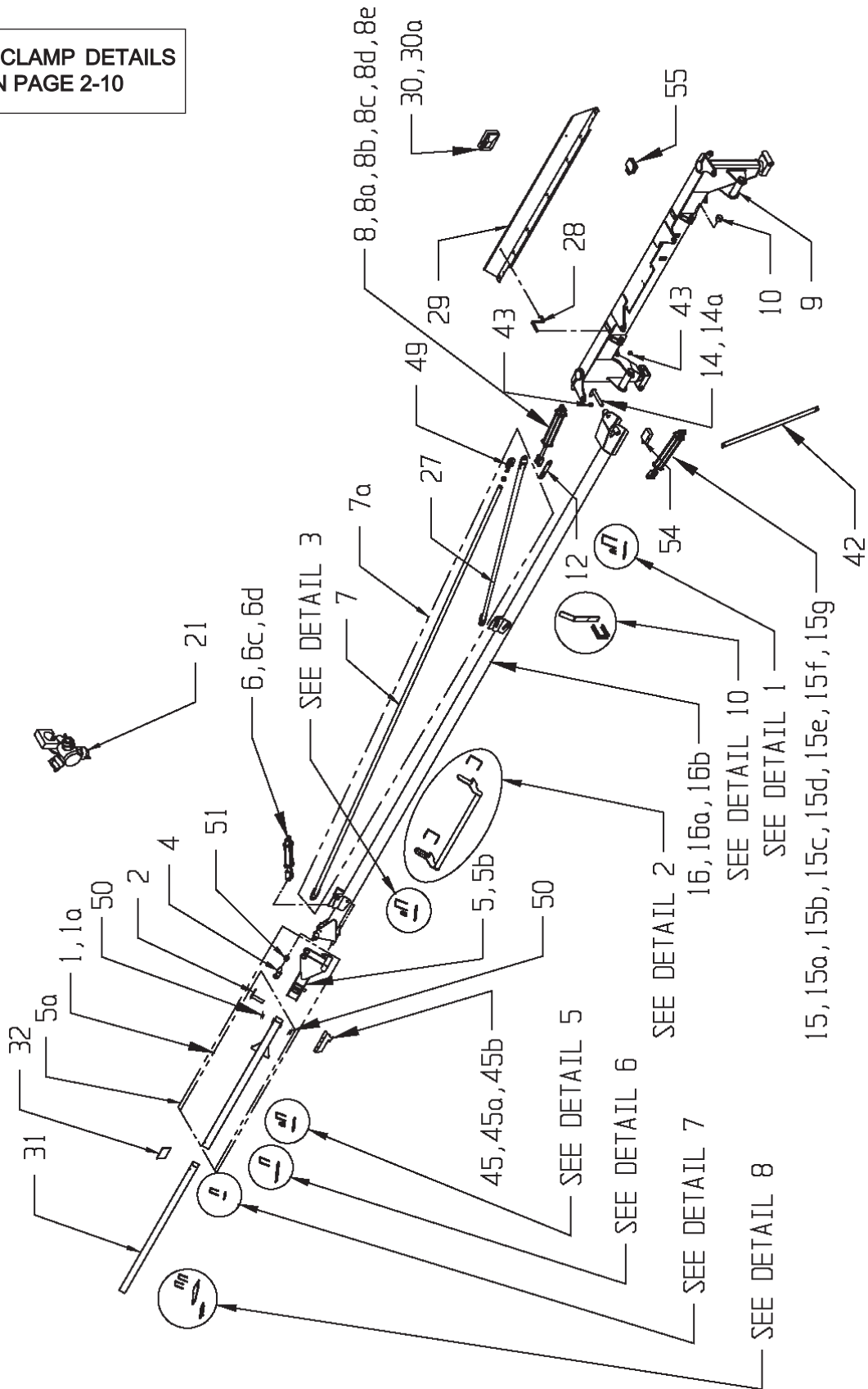


SPRAYER BOOM, LEFT HAND SIDE (1 OF 2)

KEY	PART NO.	DESCRIPTION
1	21.22319	Break- Away Kit, with Pin & Bushings (75' Through 90')
1a	21.23974	Break- Away Kit, 100' L.H. W/ Pins & Bushings
2	21.05050	Pin, Breakaway
4	21.05053	Pin (Not Used on 60' Boom)
5	21.20622	Left Secondary Weldment (Less Bushings) (75-80ft) (Oct. 1999 thru SN 21.12627)
	21.24421	Left Secondary Weldment (Less Bushings) (75-80ft) (SN 21.12628 & After)
	21.22323	Left Secondary Weldment (Less Bushings) (90-100ft) (Oct. 1999 & Later)
5a	21.20669	Boom Kit 75' & 80', Includes Right Secondary, Break-Away, Pins & Bushings (Oct. 1999 & Earlier) (Was 21.05305)
	21.20667	Boom Kit 90', Includes Left Secondary, Break-Away, Pins & Bushings (Oct. 1999 & Earlier) (Was 21.05300)
5b	21.21681	Hinge Secondary, L.H. Replacement
6	21.20001	Cylinder Boom, Secondary 2.0x6x1.125 (Not Used on 60' Boom) (Was 21.00118)
6c	21.00539	Seal Kit (Black or Chrome)
6d	21.00527	Black Rod (Replaces Chrome)
7	21.20176	Truss Rod, 75', 80' & 90' Boom (Oct. 1999 & Later)
	21.20665	Truss Rod, 60' Boom (Oct. 1999 & Later)
7a	21.22320	Truss Rod Up-date Kit 75', 80' & 90' (Oct. 1999 & Earlier) (Was 21.05060)
	21.22321	Truss Rod Up-date Kit 60' (Oct. 1999 & Earlier) (Was 21.05066)
8	21.20003	Cylinder, 2.5x14x1.125 (Was 21.00141)
8a	21.00545	Seal Kit, 2.5x14x1.125 (Black or Chrome)
8b	21.00526	Black Rod (Replaces Chrome)
8c	21.00564	End Cap, Shaft End, 1.125 Bore
8d	17.00664	Clevis, 1 1/8 Rod
8e	21.21187	Endcap, Buttend
9	21.05100	Center Section Weldment(Less Bushings, Order 21.00139 & 21.22907 Separately)
10	21.22907	Bushing, Upper Lift Arm (4 Req'd)
12	21.23193	Safety Link
14	21.05055	Pin, Primary (Prior To S/N 21.12295)
	907089	Set Screw (4) (Prior To S/N 21.12295)
	901763	1/2" Jam Nut (4) (Prior To S/N 21.12295)
14a	21.24948	Primary Boom Pin Weldment
15	21.20004	Cylinder Boom, Primary Fold, 2.5x16x1.25 (Was 21.00953) (Note: Primary Fold Cylinder with 1.125 Dia. Shaft Can Be Converted to 1.25 Using Items 15a, 15b & 15c)
15a	21.00538	Seal Kit 1.25 diameter shaft (Black or Chrome)
15b	21.24005	Rod 1.25 diameter shaft (Was 21.00525)
15c	21.00563	End Cap Shaft end 1.25 Bore
15d	21.21186	Tie Rod
15e	21.21187	End Cap, Butt End

SPRAYER BOOM, LEFT HAND SIDE (2 OF 2)

BOOM CLAMP DETAILS
ARE ON PAGE 2-10

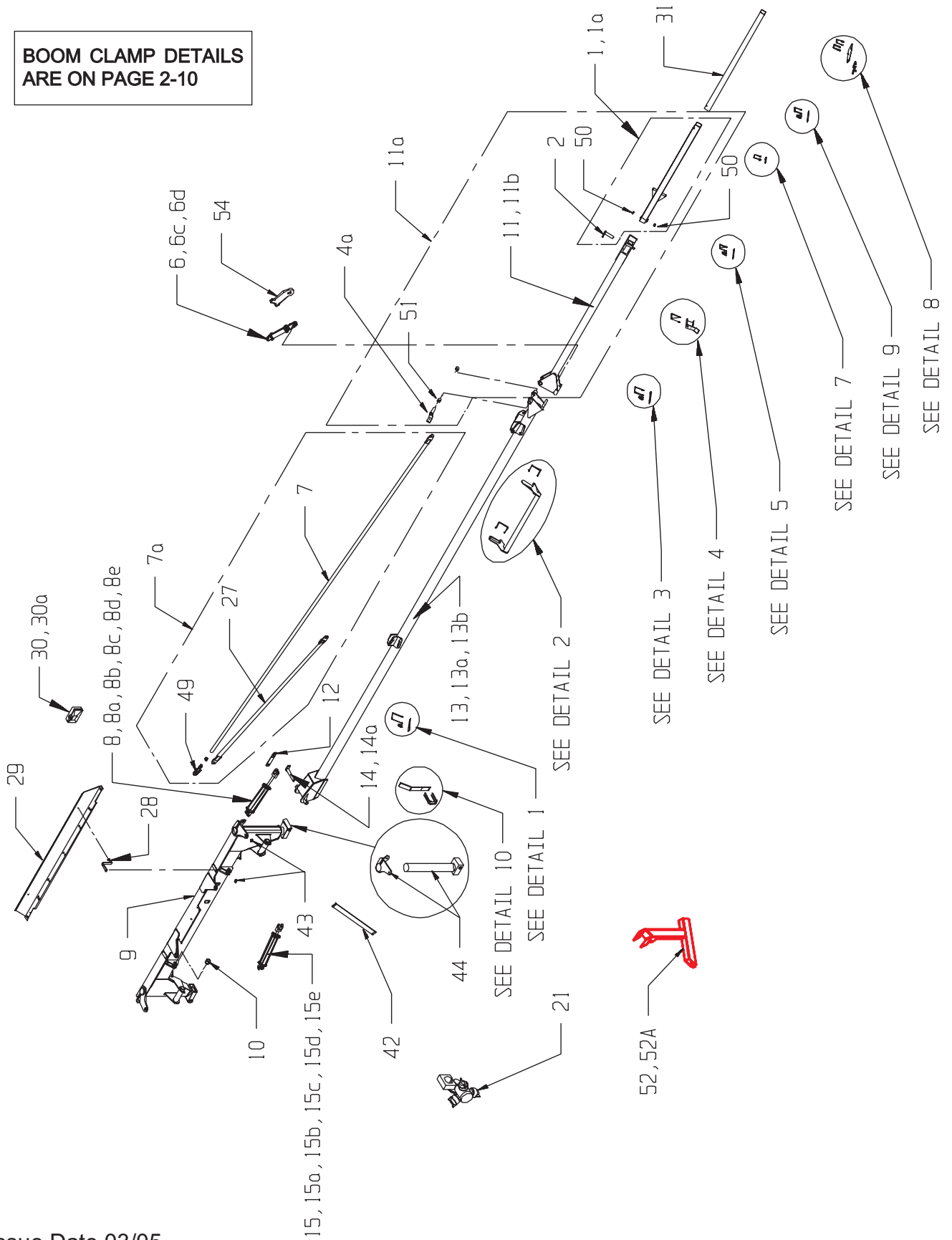


SPRAYER BOOM, LEFT HAND SIDE (2 OF 2)

KEY	PART NO.	DESCRIPTION
15g	21.25542	Clevis Yoke, Primary Fold Cylinder Rod End
15f	21.21811	Valve Block Single Relief (see Hyd Sec. For Breakdown)
16	21.05200	Left Primary Weldment
	21.20625	60' Boom (After Oct. 1999)
16a	21.21169	60' Boom Kit, Includes L.H. Primary, Break-away Pin & Bushings (Prior to Oct. 1999)
16b	21.21679	Hinge Primary, 75' & Up L.H. Replacement
21	21.00154	Nozzle Body, Single
	07.07813	Nozzle Body, Triple (Was 07.17699)
	21.22217	Nozzle Body, Triple 4 Gal.
	07.17704	Nozzle Body, Quad
	07.17728	Nozzle Body, 5-Way
27	21.20174	Pipe, Truss Secondary (Not Used on 60' Boom) (21.05064 Prior to Oct. 1999)
28	21.24822.5	Strap, Boom Front Cover 3000
29	21.23137	Front Cover, Boom (Order with 2 #21.23136) (Was 21.10694)
30	21.00132	Light, Forward Trap
30a	21.21175	Bulb
31	21.05426	Tube Extension, for 80'
	21.05427	Tube Extension, for 60', 75' & 90'
	21.21130	Tube Extension, for 100'
32	21.21563	Spacer, Boom Ext. 2 x 3 x 1.8
42	21.05232	Brace, Center Nozzle
43	21.00139	Hardened Bushing
45	21.05067	Nozzle Bracket
45a	07.07814	Turret, (3) 3/4 Hose Barb
	07.07819	Turret, (4) 3/4 Hose Barb
	07.07825	Turret, (5) 3/4 Hose Barb
45b	07.13053	Clamp, 1" Square
49	21.20175	Turn Buckle
50	21.20646	Bushing, 1-1/4 ID x .75
51	21.20647	Bushing, 1-1/2 ID x 1.50 (Not Used on 60' Boom)
53	21.21563	Spacer Boom Ext. 2 x 3 x 1/8
54	21.21811	Valve Block Single Relief (was 21.20525) (See Page 6-12)
55	21.00127	Valve Counter Balance (See Page 6-12)

SPRAYER BOOM, RIGHT HAND SIDE (1 OF 2)

BOOM CLAMP DETAILS
ARE ON PAGE 2-10

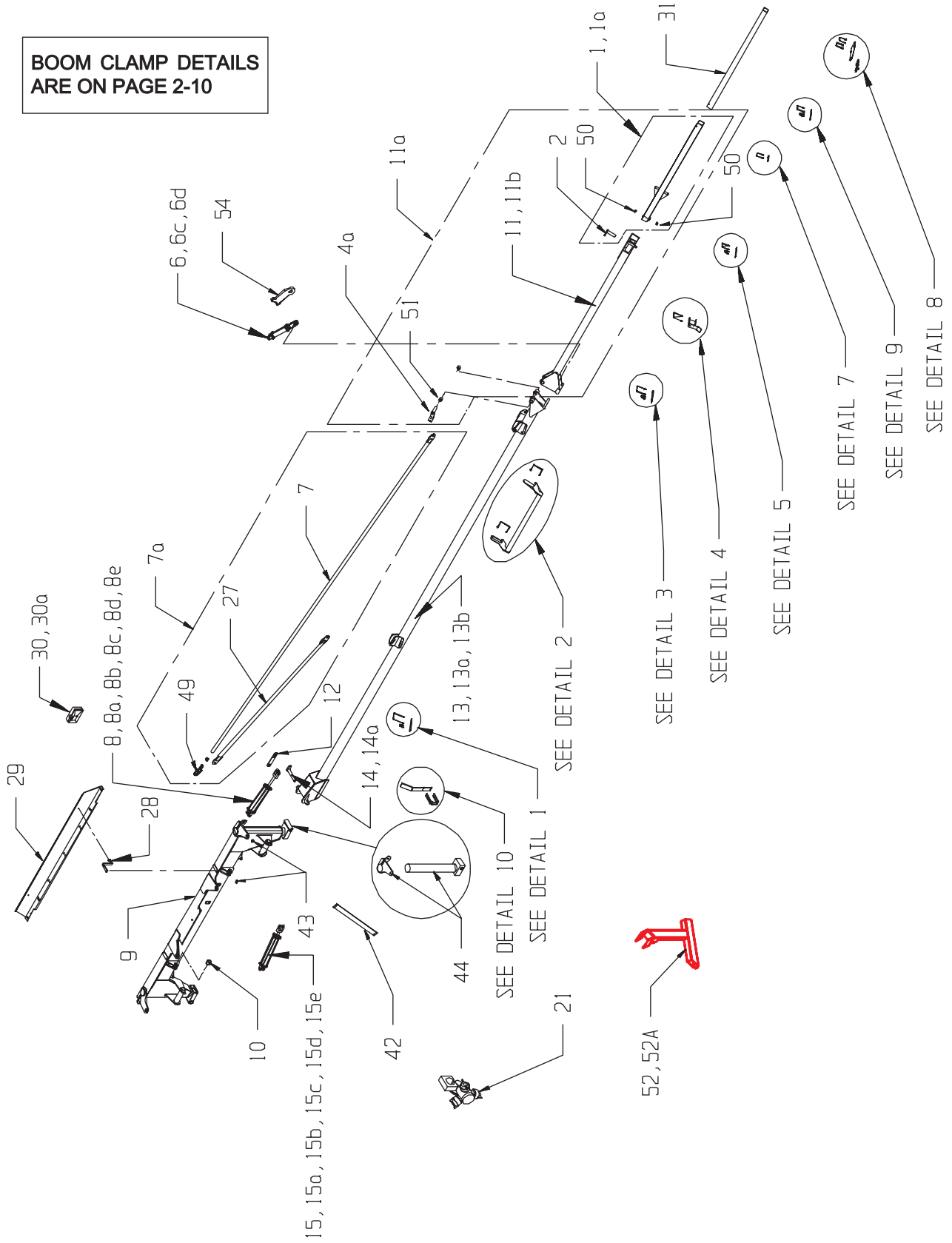


SPRAYER BOOM, RIGHT HAND SIDE (1 OF 2)

KEY	PART NO.	DESCRIPTION
1	21.22319	Break- Away Kit W/ Pin & Bushings (75' Through 90')
1a	21.23975	Break-Away Kit 100' R.H. W/ Pin & Bushing
2	21.05050	Pin, Breakaway
4a	21.20871	Pin - Support, Wet Boom (Not Used on 60' Boom) (Used on 20" Spacing Only)
6	21.20001	Cylinder Boom, Secondary 2.0x6x1.125 (Not Used on 60' Boom) (Was 21.00118)
6c	21.00539	Seal Kit
6d	21.00527	Black Rod
7	21.20176	Truss Rod, 75', 80' & 90' Boom
7a	21.20665	Truss Rod, 60' Boom
8	21.20003	Cylinder, 2.5x14x1.125 (Was 21.00141)
8a	21.00545	Seal Kit, 2.5x14x1.125 (Black & Chrome)
8b	21.00526	Black Rod (Replaces Chrome)
8c	21.00563	End Cap, Shaft
8d	17.00664	Clevis, 1 1/8 Rod
8e	21.21187	End Cap, Buttend
9	21.05100	Center Section Weldment
10	21.22907	Bushing, Upper Lift Arm (4 Req'd)
11	21.20623	Right Secondary Weldment (Less Bushings) (75-80ft) (Oct. 1999 Thru SN 21.12627))
	21.24422	Right Secondary Weldment (Less Bushings) (75-80 ft) (SN 21.12628 & After)
	21.22324	Right Secondary Weldment (Less Bushings) (90-100ft) (Oct. 1999 & Later)
11a	21.20670	Boom Kit 75' & 80', Includes Right Secondary, Break-Away, Pins & Bushings (Oct. 1999 & Earlier) (Was 21.05307)
	21.20668	Boom Kit 90', Includes Right Secondary, Break-Away, Pins & Bushings (Oct. 1999 & Earlier) (Was 21.05302)
11b	21.21682	Hinge Secondary, R.H. Replacement
12	21.23193	Safety Link
13	21.05202	Right Primary Weldment, 75', 80', 90' Boom
	21.20626	Right Primary Weldment, 60' Boom
13a	21.21170	60' Boom Kit, Includes R.H. Primary, Break-away, Pin & Bushings (Prior to Oct 1999)
13b	21.21680	Hinge Primary, 75' & Up R.H. Replacement
14	21.00742	Pin, Primary Update (Prior To S/N 21.12295) (Was 21.05055)
	907089	Set Screw (4) (Prior To S/N 21.12295)
	901763	1/2 Jam Nut (4) (Prior To S/N 21.12295)
14a	21.24948	Primary Boom Pin Weldment
15	21.20004	Cylinder Boom, Primary Fold, 2.5x16x1.25 (Was 21.00953) (Note: Primary Fold Cylinder with 1.125 Dia. Shaft Can Be Converted to 1.25 Using Items 15a, 15b & 15c)
15a	21.00538	Seal Kit 1.25 Diameter Shaft (Black on Chrome)

SPRAYER BOOM, RIGHT HAND SIDE (2 OF 2)

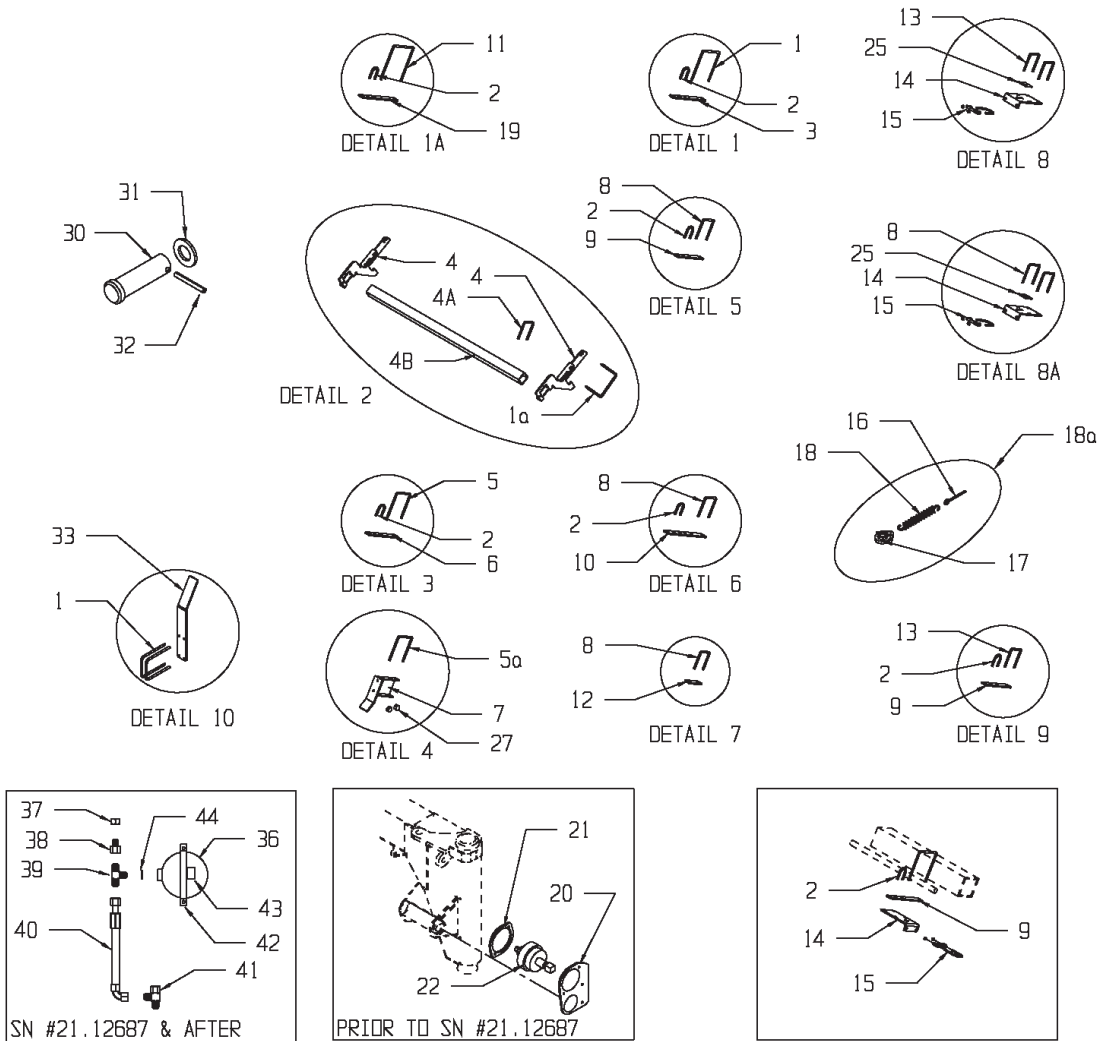
BOOM CLAMP DETAILS
ARE ON PAGE 2-10



SPRAYER BOOM, RIGHT HAND SIDE (2 OF 2)

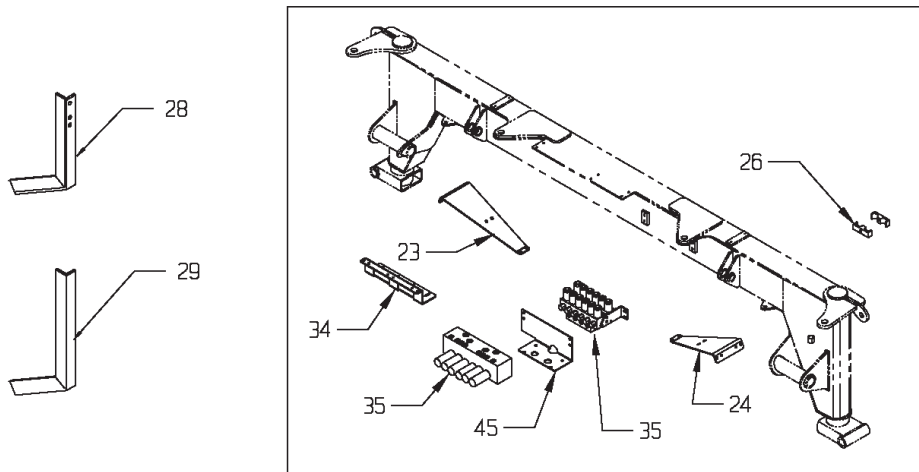
KEY	PART NO.	DESCRIPTION
15b	21.24005	Rod 1.25 Diameter Shaft (Was 21.00525)
15c	21.00563	End Cap Shaft End 1.25 Bore
15d	21.21186	Tie Rod
15e	21.21187	End Cap, Butt End
21	21.00154	Nozzle Body, Single
	07.17699	Nozzle Body, Triple
	21.22217	Nozzle Body, Triple 4 Gal.
	07.17704	Nozzle Body, Quad
	07.17728	Nozzle Body, 5-Way
27	21.20174	Pipe, Truss Secondary (Not Used On 60') (21.05064 Prior to Oct. 99)
28	21.23136	Front Cover Strap, Boom (Was 21.10695)
29	21.23137	Front Cover, Boom (Order W/ 2 #21.23136) (Was 21.10694)
30	21.00132	Light, Forward Trap
30a	21.21175	Bulb
31	21.05426	Tube Extension for 80'
	21.05427	Tube Extension for 60', 75' & 90'
	21.21130	Tube Extension for 100'
42	21.05232	Brace, Center Nozzle
43	21.00139	Hardened Tension Bushing
44	21.05070	Kit, Primary Pivot
	09.72606	Long Fitting Top
	900538	Short Fitting Top
	903993	90° Fitting Top
49	21.20175	Turn Buckle
50	21.20646	Bushing, 1-1/4 ID x .75
51	21.20647	Bushing, 1-1/2 ID x 1.50 (Not Used on 60' Boom)
52	21.08380	Stand (Optional)
52a	21.20766	Stand Wide (Optional)
54	21.21542	Lug - Secondary Cyl. (Weld on to enhance Boom Fold on Old Machines with Slot) (Prior to April 01)

BOOM CLAMP DETAILS



KIT-BOOM TILT ACCUMULATOR
(OPTION 21.00654)

KIT-FOAMER 90/60
(OPTION 21.00655)



BOOM CLAMP DETAILS

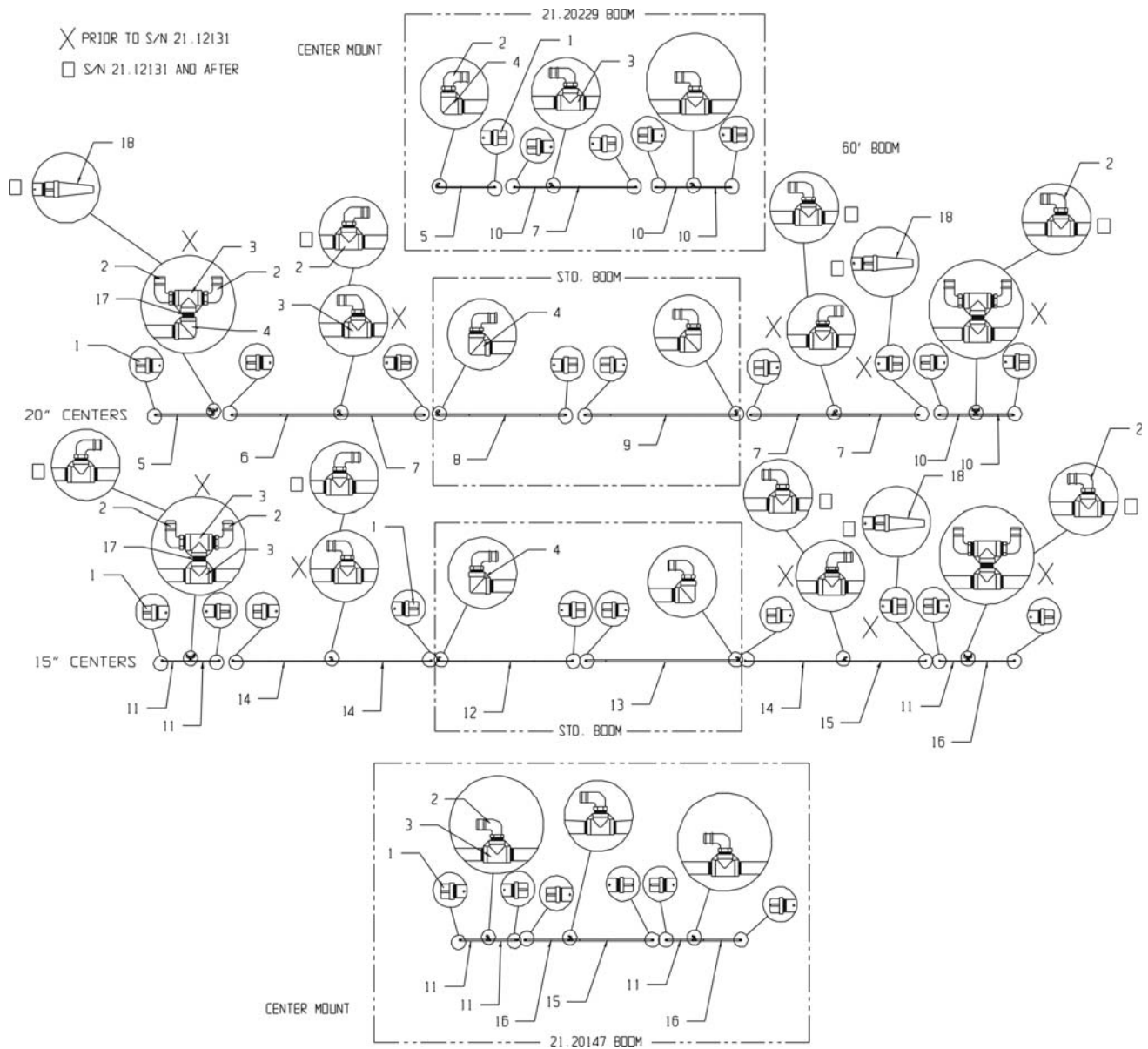
KEY	PART NO.	DESCRIPTION
0	21.22235	Kit, SS Bracket and Hardware
1	21.21658	U-Bolt, 5.00 x 6.00 x 5/16 SS (Was 21.00121)
1a	21.22038	U-Bolt, 5.00 x 6.00 x 3/8 SS
2	21.21655	U-Bolt, 1.37x2-3/16"x5/16 SS(Was 21.00125)
3	21.21645	Bracket, Wet Boom, 5x5 SS (Was 21.05030)
4	21.10701	End, Nozzle Guard
4a	21.21654	U-Bolts - 2.00x2.75x1/4 SS (Was 07.06440)
4b	21.10696	Tube, Nozzle Guard, Rear
5	21.21653	U-Bolt, 4.00 x 5.00 x 5/16 SS (Was 21.00122)
5a	21.21913	U-Bolt, 4.00 x 5.00 x 3/8 SS
6	21.21644	Bracket, Wet Boom, 4x4 SS (Was 21.05031)
7	21.21961	Secondary Wing Catch Weldment - 90' Only (Was 21.10637)
8	21.21657	U-Bolt, 3.00x4.00x5/16 SS (Was 21.00123)
9	21.21643	Bracket, Wet Boom, 3x3 SS (Was 21.05032)
10	21.21648	Plate, Foam Chamber - 60', 75', 80' SS (Was 21.05034)
11	21.21659	U-Bolt 6.00 X 7.00 X 5/16 SS (Was 21.20856)
12	21.21642	Bracket, Boom Extension Holder SS (Was 21.05033)
13	21.21656	U-Bolt, 2.50x3.50x5/16 SS (Was 21.00124)
14	21.24924	Bracket, Foam Bell, w/ NZL Tab 60° Bend (3000 Series)
	21.21543	Bracket, Foam Bell, w/ NZL Tab 90° Bend (up to 3000 Series)
15	907436	Clamp, Muffler, 2-1/2" SS (Was 07.05189)
16	907435	Eyebolt SS (Was 07.19034)
17	07.02975	Pivot Ball
18	21.22713	Spring (S/N 21.12251 & After)
18a	21.22715	Spring Upgrade (prior to 21.12251)
19	21.21646	Bracket - Wet Boom 6 x 6 SS (Was 21.20857)
20	21.20062	Plate - Boom Accumulator Base
21	21.20063	Plate - Boom Accumulator Top
22	21.25075	Kit-Chassis Accumulator Replacement (Prior To SN 21.12687)
23	21.30592.5	Bracket - Boom Center LH (Was 21.20072)
24	21.30591.5	Bracket - Boom Center RH (Was 21.20071)
25	21.21650	Tab - Fence Line Nozzle (Was 21.21203)
26	21.00178	Clamp - Twin 1.5"
27	21.22040	Bumper
28	21.07243	Support - Boom Angle 28"
29	21.07242	Support - Boom Angle 16.36"
30	21.22738	Clevis Pin 1x3-1/4
31	907530	Washer 1" Flat
32	907429	Roll Pin 7/32x2 SS
33	21.22965	Breakaway Catch - 100' Boom
34	21.23459	Adapter - Raven 5 Motor Manifold
35	21.25246	Manifold, Boom (S/N 21.12733 & After) (See Page 6-8)
	21.21925	Valve Boom 75'-100' (was 21.00083) (See Page 6-4)
	21.21926	Valve Boom 60' (was 21.00560) (see page 6-4)
36	21.31539	Accumulator - 45CC (SN 21.12687 & After)
37	21.24274	Nut - Nit Tube 8 ORFS
38	21.24275	Adapter - Nit Bleed 8 ORFS
39	21.24819	Tee - Nit Branch 8 ORFS/12 ORFS
40	21.24815	Hose - Tilt Acum. 3000
41	21.00335	Tee - Nit 8 ORFS Ext/Ext/Int Swivel
42	21.31540	Clamp - 45CC (.75L) Accumulator
	907463	HHDBLT - SS 5/16-18 x 3/4"
	907411	Washer - SS Lock 5/16"
	907464	Washer - SS Flat 5/16 Wide
43	21.09044	Decal - High Pressure Gas
44	907771	Orifice - Disk, .203"
45	21.24823.5	Mount, Boom Valve Mount (S/N 21.12733 & After)
NS	21.24798	Kit - Hose & Ftg Boom Accum

THIS PAGE INTENTIONALLY BLANK

WET SYSTEM

THIS PAGE INTENTIONALLY BLANK

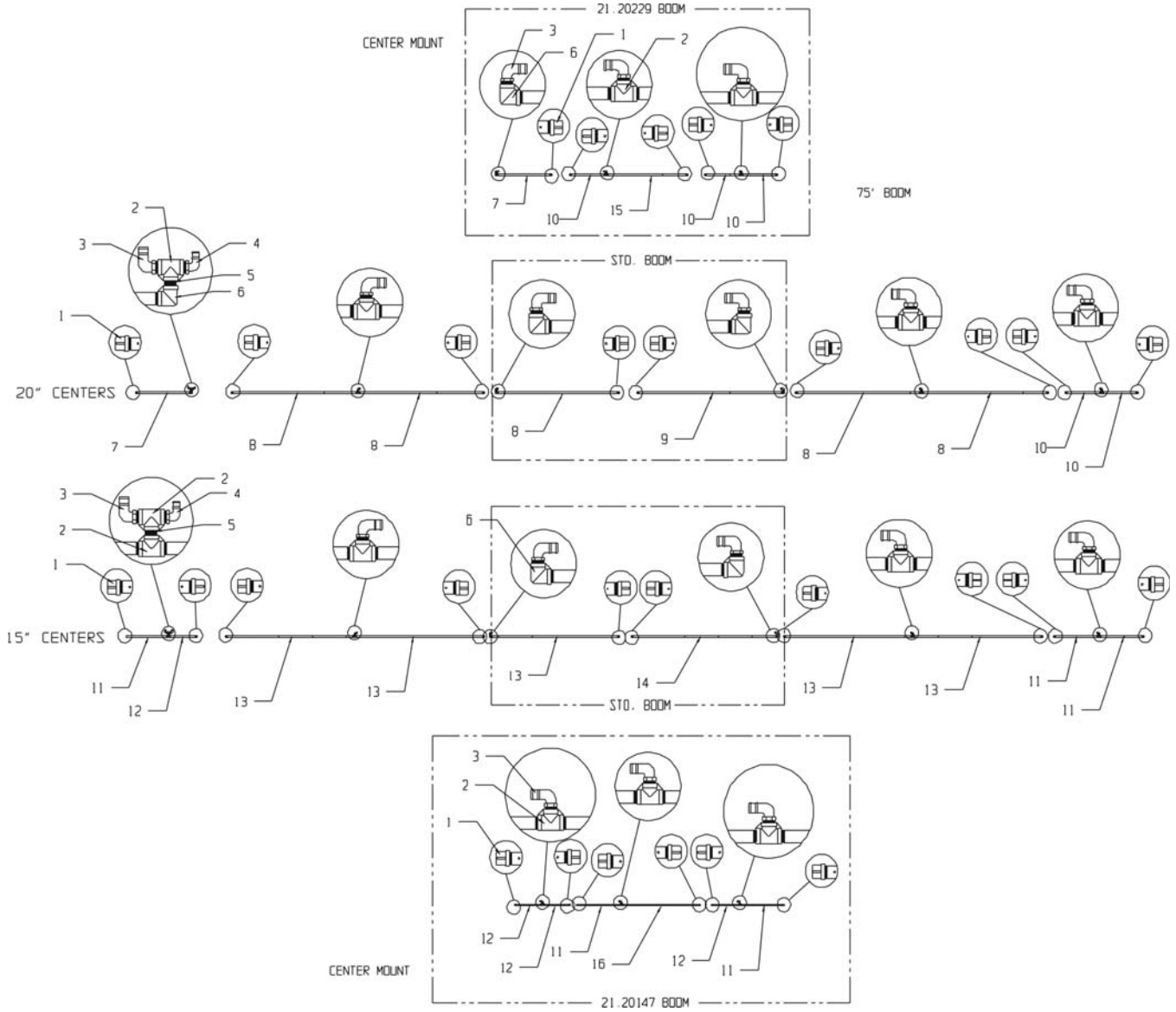
WET LINE, 60' BOOM



WET LINE, 60' BOOM

KEY	PART NO.	DESCRIPTION
1	21.00386	Cap
2	07.10289	Elbow, 1" NPTx1" Hose Barb
3	21.00385	Tee
4	21.00388	Elbow, 1" NPT
5	21.00507	Boom Line-50.5" 3H 20" CNTR
6	21.00509	Boom Line-90.5" 5H 20" CNTR
7	21.00510	Boom Line-70.5" 4H 20" CNTR
8	21.00508	Boom Line-110.5" 6H 20" CNTR
9	21.00506	Boom Line-130.5" 7H 20" CNTR
10	21.00505	Boom Line-30.5" 2H 20" CNTR
11	21.00504	Boom Line-23" 2H 15" CNTR
12	21.00501	Boom Line-113" 8H 15" CNTR
13	21.00500	Boom Line-128" 9H 15" CNTR
14	21.00511	Boom Line-83" 6H 15" CNTR
15	21.00512	Boom Line-68" 5H 15" CNTR
16	21.00503	Boom Line-38" 3H 15" CNTR
17	21.00387	Nipple, Close, 1"
18	21.21315	Straight 1" FPT x 1" HB
19	21.00186	Loctite 518 (Not Shown)

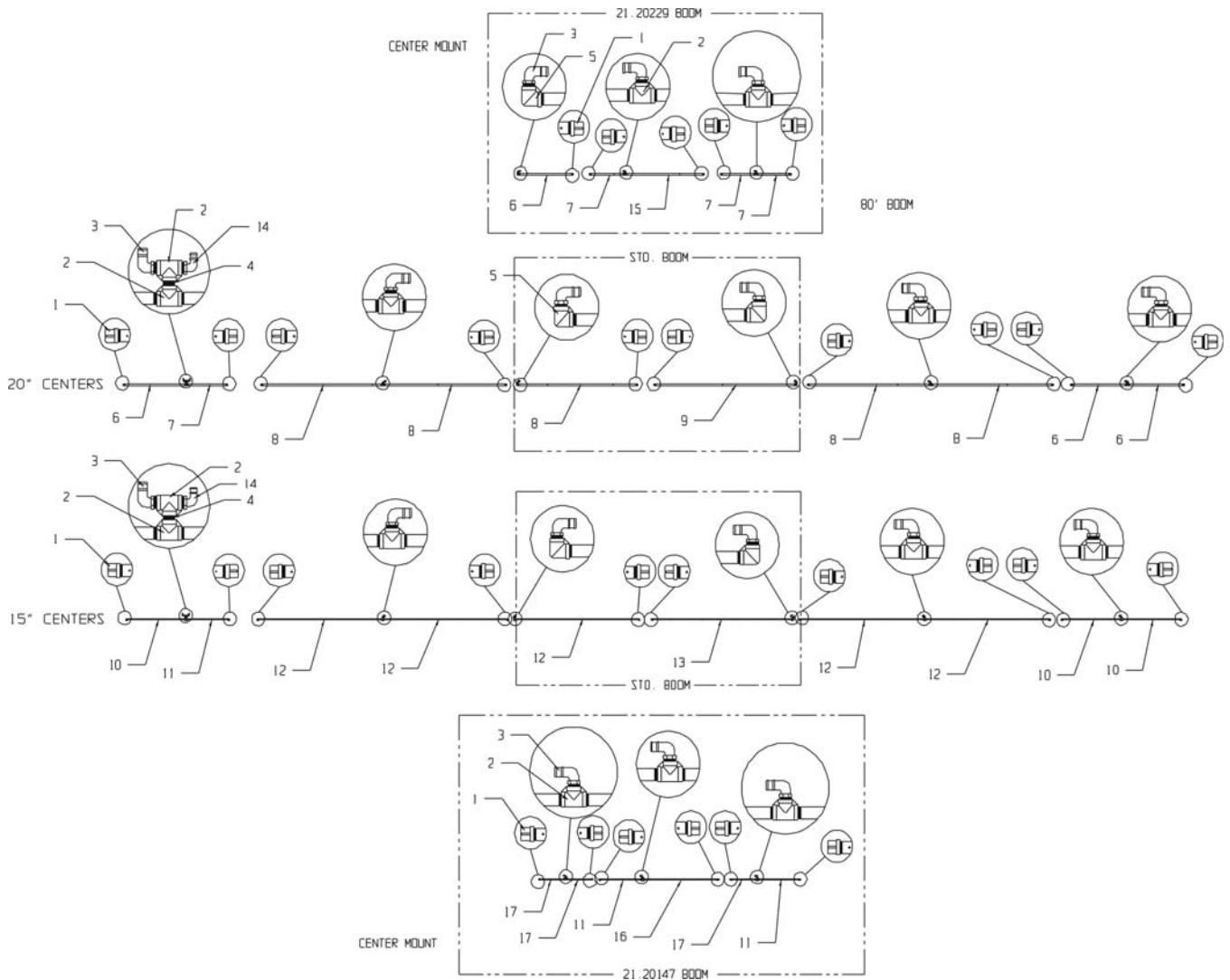
WET LINE, 75' BOOM



WET LINE, 75' BOOM

KEY	PART NO.	DESCRIPTION
1	21.00386	Cap, 1" SS
2	21.00385	Tee, 1" SS
3	07.10289	Elbow, 1" MNPT x 1" Hose Barb
4	07.10291	Elbow, 1" MNPT x ¾" Hose Barb
5	21.00387	Short Nip, 1" SS
6	21.00388	Elbow, 1" SS
7	21.00507	Boom Line-50.5" 3H 20" CNTR
8	21.00508	Boom Line-110.5" 6H 20" CNTR
9	21.00506	Boom Line-130.5" 7H 20" CNTR
10	21.00505	Boom Line-30.5" 2H 20" CNTR
11	21.00503	Boom Line-38" 3H 15" CNTR
12	21.00504	Boom Line-23" 2H 15" CNTR
13	21.00501	Boom Line-113" 8H 15" CNTR
14	21.00500	Boom Line-128" 9H 15" CNTR
15	21.00510	Boom Line-70.5" 4H 20" CNTR
16	21.00512	Boom Line-68" 5H 15" CNTR
17	21.00186	Loctite 518 (Not Shown)

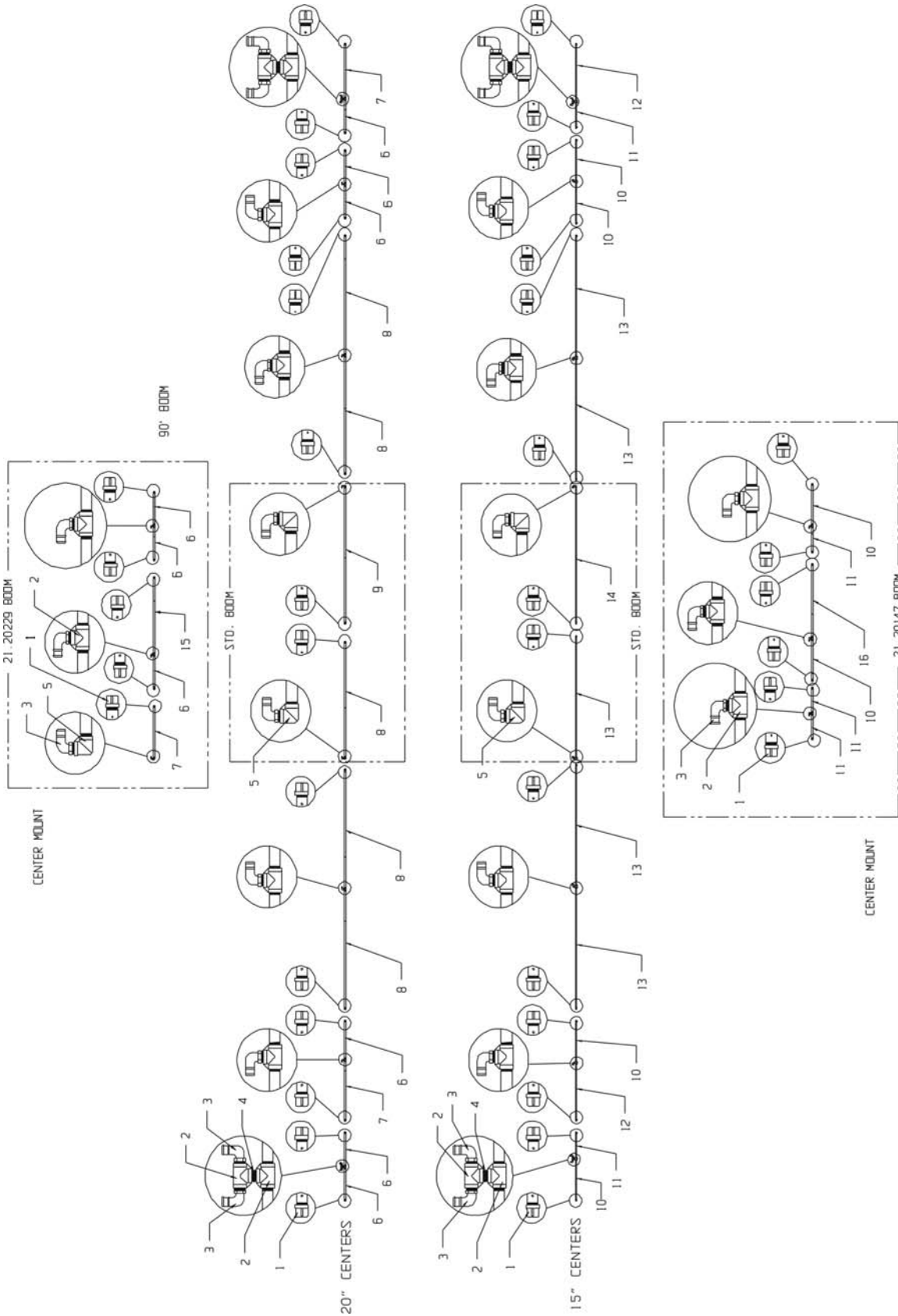
WET LINE, 80' BOOM



WET LINE, 80' BOOM

KEY	PART NO.	DESCRIPTION
1	21.00386	Cap, 1" SS
2	21.00385	Tee, 1" SS
3	07.10289	Elbow, 1" NPTx1" Hose Barb
4	21.00387	Short Nipple, 1" SS
5	21.00388	Elbow, 1" SS
6	21.00507	Boom Line-50.5" 3H 20" CNTR
7	21.00505	Boom Line-30.5" 2H 20" CNTR
8	21.00508	Boom Line-110.5" 6H 20" CNTR
9	21.00506	Boom Line-130.5" 7H 20" CNTR
10	21.00502	Boom Line-53" 4H 15" CNTR
11	21.00503	Boom Line-38" 3H 15" CNTR
12	21.00501	Boom Line-113" 8H 15" CNTR
13	21.00500	Boom Line-128" 9H 15" CNTR
14	07.10291	Elbow, 1" NPTx3/4" Hose Barb
15	21.00510	Boom Line-70.5" 4H 20" CNTR
16	21.00512	Boom Line-68" 5H 15" CNTR
17	21.00504	Boom Line-23" 2H 15" CNTR
18	21.00186	Loctite 518 (Not Shown)
19	21.22689	Boom Line-67.0" 4H 19" CNTR (Not Shown)
20	21.22690	Boom Line-48.0" 3H 19" CNTR (Not Shown)
21	21.22691	Boom Line-29.0" 2H 19" CNTR (Not Shown)
22	21.22694	Boom Line-86.0" 5H 19" CNTR (Not Shown)

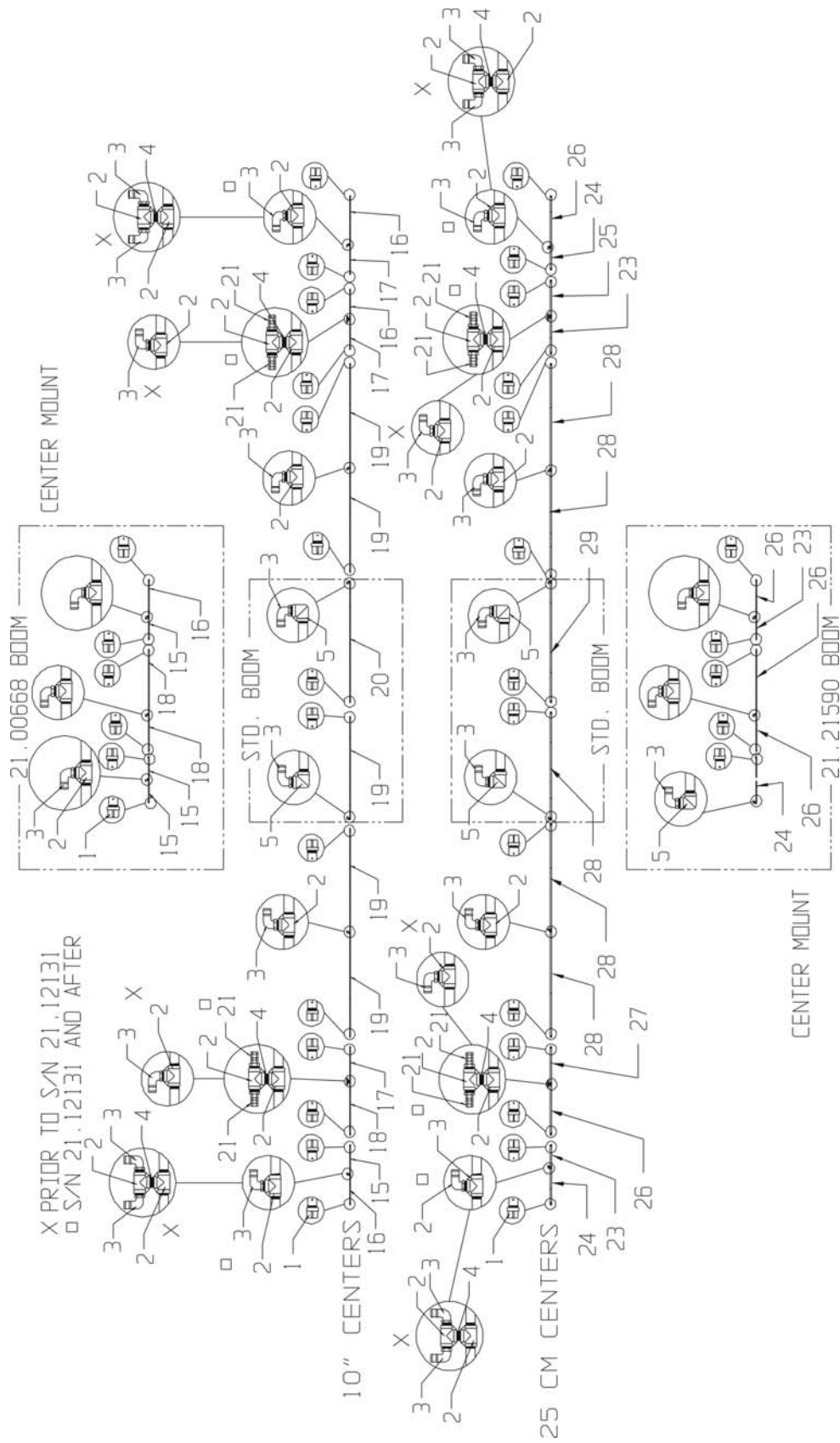
WET LINE, 90' BOOM



WET LINE, 90' BOOM

KEY	PART NO.	DESCRIPTION
1	21.00386	Cap, 1" SS
2	21.00385	Tee, 1" SS
3	07.10289	Elbow, 1" NPT x 1" Hose Barb
4	21.00387	Close Nipple, 1" SS
5	21.00388	Elbow, 1" NPT SS
6	21.00505	Boom Line-30.5" 2H 20" CNTR
7	21.00507	Boom Line-50.5" 3H 20" CNTR
8	21.00508	Boom Line-110.5" 6H 20" CNTR
9	21.00506	Boom Line-130.5" 7H 20" CNTR
10	21.00503	Boom Line-38" 3H 15" CNTR
11	21.00504	Boom Line-23" 2H 15" CNTR
12	21.00502	Boom Line-53" 4H 15" CNTR
13	21.00501	Boom Line-113" 8H 15" CNTR
14	21.00500	Boom Line-128" 9H 15" CNTR
15	21.00510	Boom Line-70.5" 4H 20" CNTR
16	21.00512	Boom Line-68" 5H 15" CNTR
18	21.00186	Loctite 518 (Not Shown)
21	07.10327	Straight 1" NPT x 1" Hose Barb
22	21.23465	Boom Line-33.5" 2H 22" CNTR (Not Shown)
23	21.23466	Boom Line-55.5" 3H 22" CNTR (Not Shown)
24	21.23467	Boom Line-77.5" 4H 22" CNTR (Not Shown)
25	21.23468	Boom Line-99.5" 5H 22" CNTR (Not Shown)
26	21.20974	Boom Line-1.5x94.5" 4H 30" CNTR (Not Shown)
27	21.20975	Boom Line-1.5x124.5" 5H 30" CNTR (Not Shown)
28	21.23236	Boom Line-1.5x34.5" 2H 30" CNTR (Not Shown)
29	21.23238	Boom Line-1.5x64.5" 3H 30" CNTR (Not Shown)
30	21.21703	Boom Line-2x96 (Not Shown)
31	21.21704	Boom Line-2x36 (Not Shown)

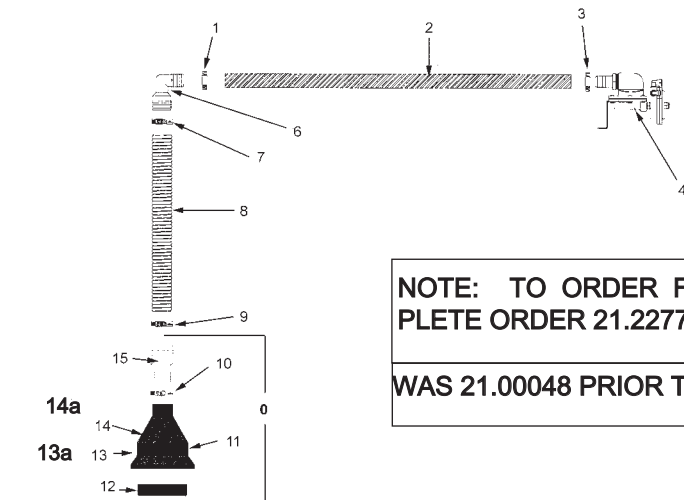
WET LINE, 90' BOOM



WET LINE, 90' BOOM

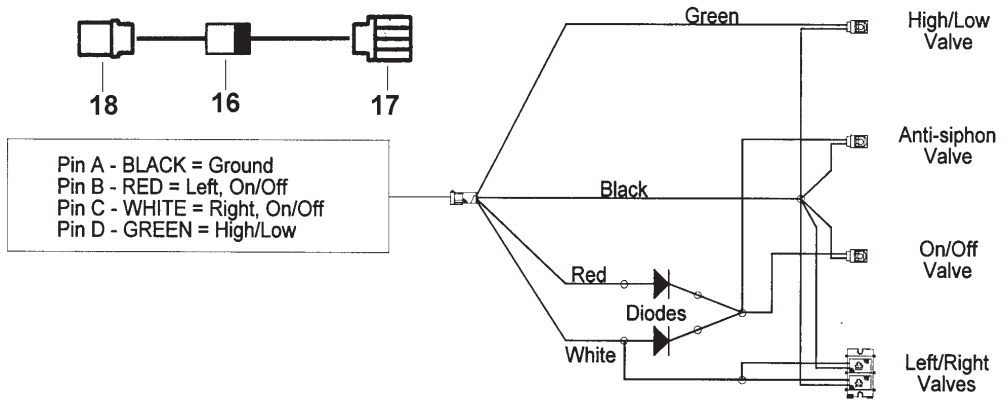
KEY	PART NO.	DESCRIPTION
1	21.00386	Cap, 1" SS
2	21.00385	Tee, 1" SS
3	07.10289	Elbow, 1" NPT x 1" Hose Barb
4	21.00387	Close Nipple, 1" SS
5	21.00388	Elbow, 1" NPT SS
15	21.21117	Boom Line-25.5" 3 Holes 10" Center
16	21.21116	Boom Line-35.5" 4 Holes 10" Center
17	21.21118	Boom Line-45.5" 5 Holes 10" Center
18	21.21121	Boom Line-55.5" 6 Holes 10" Center
19	21.21119	Boom Line-115.5" 12 Holes 10" Center
20	21.21120	Boom Line-125.5" 13 Holes 10" Center
21	07.10327	Straight 1" NPT 1" Hose Barb
22	21.21572	Boom Line-15.5" 2 Holes 25 cm
23	21.21573	Boom Line-25.5" 3 Holes 25 cm
24	21.21574	Boom Line-35.5" 4 Holes 25 cm
25	21.21575	Boom LINE-45.5" 5 Holes 25 cm
26	21.21576	Boom Line-55.5" 6 Holes 25 cm
27	21.21577	Boom Line-65.5" 7 Holes 25 cm
28	21.21578	Boom Line-115.5" 12 Holes 25 cm
29	21.21589	Boom Line-125.5" 13 Holes 25 cm
30	21.00230	Nozzle ASM - 1" SGL Wet Boom
NS	07.13370	Tee - Hose Barb 1" NY
NS	07.11698	Clamp - Worm .687" - 1.5" Dia
NS	07.10557	Hose - EPDM 1" x 2 Br Blk
NS	07.05531	Tie - Cable 14"
NS	21.23855	Boom Line - 75.5" 8 Holes 25cm

FOAMER HEAD



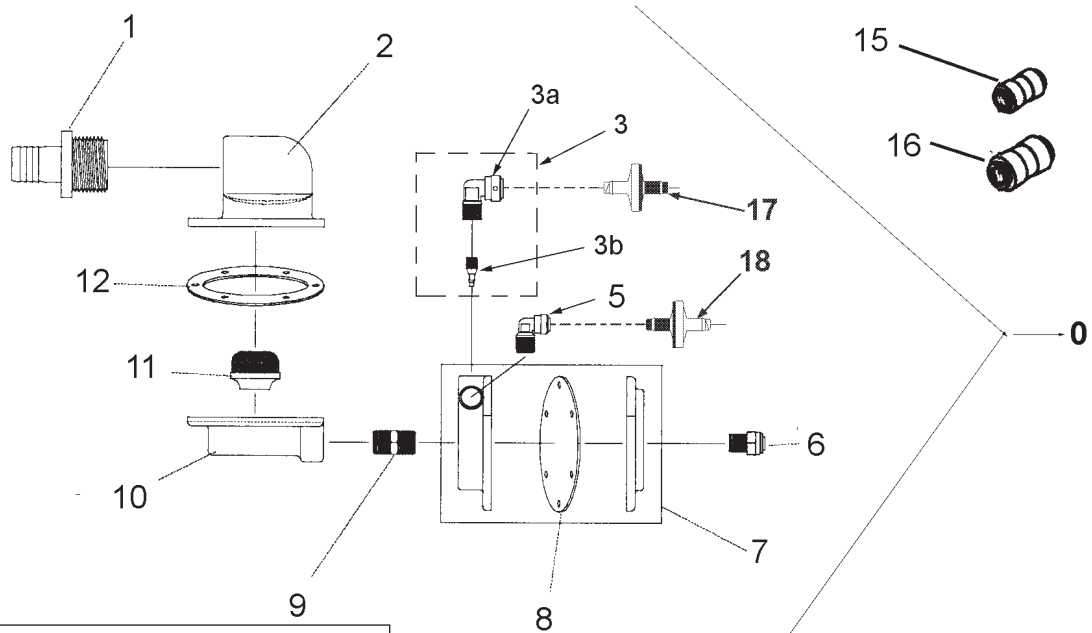
NOTE: TO ORDER FOAM MARKER SYSTEM, COMPLETE ORDER 21.22775

WAS 21.00048 PRIOR TO S/N 21.12263



KEY	PART NO.	DESCRIPTION
0	21.22260	Assembly, Complete (Was 07.20204)
1	07.11613	#20 Hose Clamp
2	07.10580	1-1/4" Foam Hose/ft.
3	07.11613	#20 Hose Clamp
4	21.00844	Foam Head Assembly
6	21.00846	2" Boom End Elbow
7	07.13245	#32 Hose Clamp
8	07.10567	2" Drop Hose/ft.
9	07.13245	#32 Hose Clamp
10	07.11699	#28 Clamp
11	07.20288	#80 Clamp
12	07.20289	Collector Cartridge- White (Prior To S/N 21.12263)
12a	21.23461	Collector Cartridge- White (S/N 21.12263 & After)
13	07.20287	3/4" 3HHS
14	07.20286	Collector Shell Only Neon Orange- CH-SNO (Prior To S/N 21.12263)
14a	21.23460	Collector Shell Only - CD-SNO (S/N 21.12263 & After)
15	21.00816	2" Collector Insert
16	21.00875	Diode
17	907293	1/4" Male Spade
18	07.06552	1/4" Female Spade

FOAMER VALVE ASSEMBLY

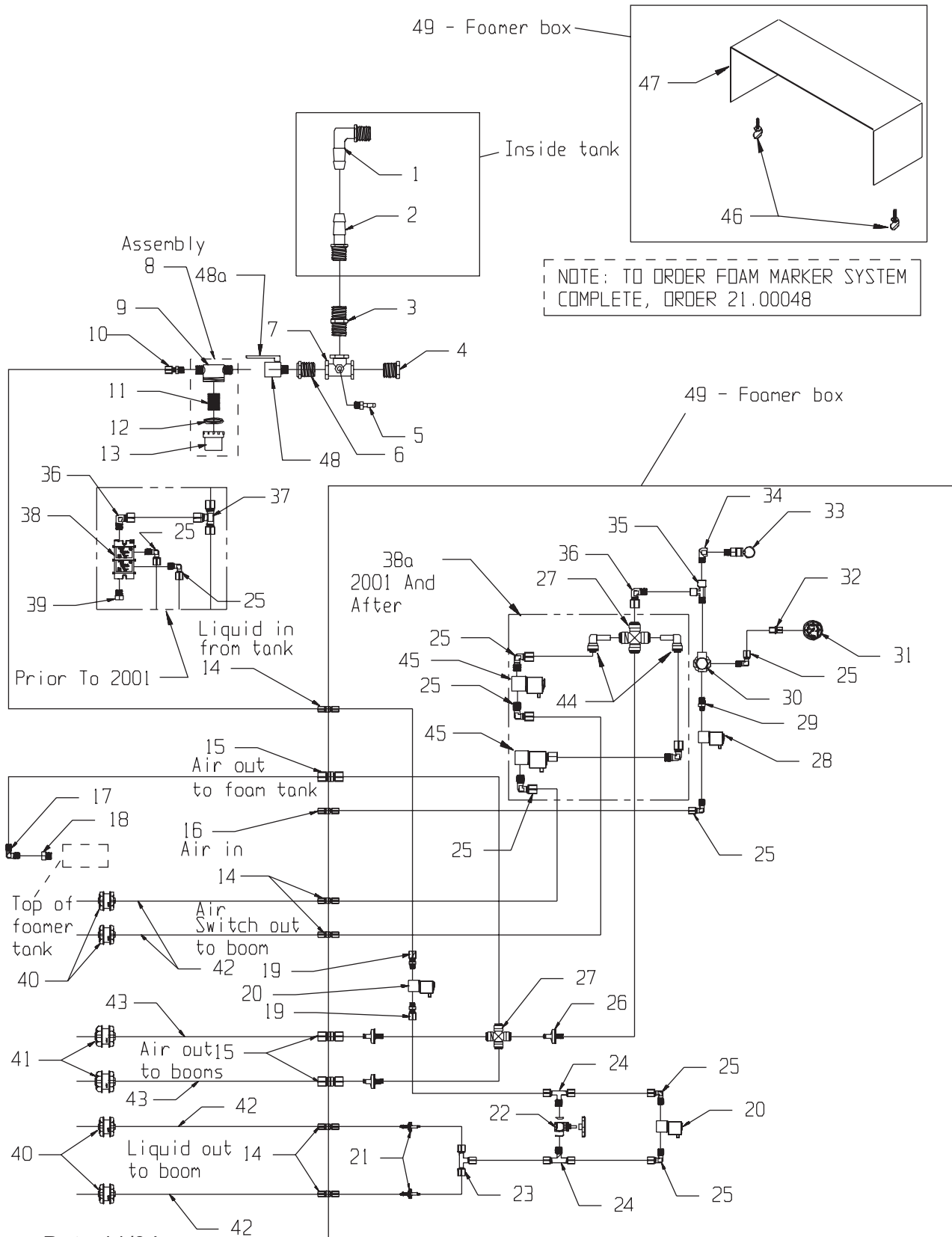


NOTE: TO ORDER FOAM MARKER SYSTEM, COMPLETE, ORDER 21.22775

WAS 21.00048 PRIOR TO S/N 21.12263

KEY	PART NO.	DESCRIPTION
0	21.00844	Assembly, Complete
1	21.21281	Homogenizer - 1-1/4MPT x 1-1/4HB
2	07.20869	Top Housing
3	21.21455	Elbow - 90° 1/4 M 3/8 T w/ Venturi
3a	07.20870	1/4m x 3/8T Elbow- Tapped (Order 21.21455)
3b	07.20887	Venturi (Order 21.21455)
5	07.20871	Elbow - 90° 1/4"m\MPT x 1/4" T QC (Was 21.21455)
6	07.20873	1/4m x 1/4T Straight
7	07.20872	Shut-off Valve Assembly
8	21.21727	Diaphragm (shut-off valve) (Was 07.20874)
9	07.20875	3/8m Nipple (brass)
10	07.20876	Base Housing
11	07.20877	3/8" f Screen
12	07.20878	Gasket
13	11.80529	3/8" OD Nylon Tubing (not illustrated), specify ft. (Was 07.20290)
14	11.80528	1/4" OD Nylon Tubing (not illustrated), specify ft. (Was 07.16715)
15	32.01488	Hose Mender 3/8 (Was 21.00972)
16	32.01487	Hose Mender 1/4 (Was 21.00971)
17	07.20208	Check Valve, 3/8
18	07.20856	Check Valve, 1/4

FOAMER WET SYSTEM NON CURRENT ON MACHINES PRIOR TO S/N 21.12263



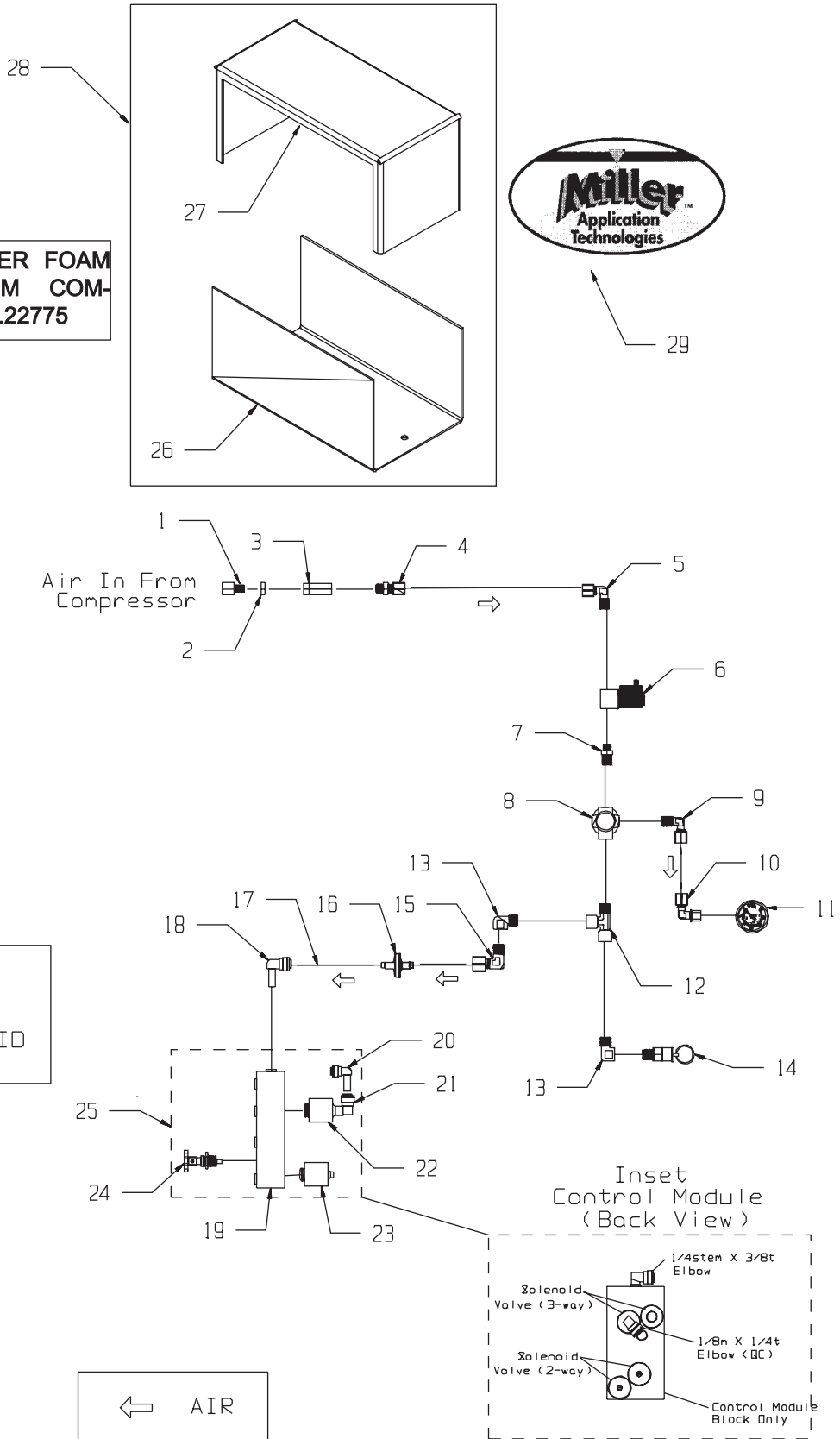
FOAMER WET SYSTEM

KEY	PART NO.	DESCRIPTION
1	07.10305	Elbow, 3/4npt x 3/4 Hose Barb 90
2	07.10348	3/4npt x 3/4 Hose Barb Straight
3	07.10322	3/4mnpt Short Nipple
4	07.10367	3/4mnpt Pipe Plug
5	07.10341	1/4mnpt x 3/8 Hose Barb Straight
6	07.10260	3/4mnpt x 1/2fnpt Reducer Bushing
7	07.10385	3/4fnpt Gauge Tee w/ 1/4NPT
8	07.13583	Filter Body Assembly
9	07.13588	Filter Head
10	07.13584	1/4mnpt x 1/4 Tube Straight
11	07.13567	In Line Filter Screen
12	07.13568	Filter O-Ring Gasket
13	07.13569	Filter Bowl
14	07.13576	1/4 Tube Straight Bulkhead
15	07.20297	3/8 Tube Straight Bulkhead
16	21.00551	1/4 MNPT x 1/4 Pushlock
17	21.00552	3/8mnpt x 3/8 Pushlock x 90°
18	21.00553	3/4mnpt x 3/8fnpt Bushing
19	07.20853	1/4 Tube x 1/8mnpt
20	07.20226	Valve, Anti-Siphon
21	07.20856	1/4 Hose Barb Check Valve
22	07.13579	Flow Control Valve 1/4fnpt
23	21.00851	Tee, 1/4 Tube Union
24	07.20851	1/4mnpt x 1/4 Tube Straight
25	07.20825	Elbow, 1/8mnpt x 1/4 Tube 90
26	07.20208	3/8 Hose Barb Check Valve
27	07.20854	3/8 Tube Union Cross
28	21.00855	High Pressure Air Valve
29	21.00853	1/4mnpt x 1/8mnpt Reducer Nipple
30	21.00856	Regulator
31	21.00843	Gauge, 0-30psi Foamer
32	07.20861	1/8fnpt x 1/4 Tube Straight
33	21.21453	Pressure Relief (Was 07.20251)
34	07.20862	1/4mnpt Street Elbow
35	21.00852	1/4mnpt Branch Tee
36	07.20254	Elbow, 1/4mnpt x 3/8 Tube 90

KEY	PART NO.	DESCRIPTION
37	07.20809	Tee, 3/8 Tube Union (Prior to 2001)
38	21.00854	Left/Right Valve (Prior to 2001)
38a	21.21454	Conversion Kit-Foamer (After 2001) (Note: Replaces 38)
39	07.10366	1/4mnpt Plug
40	32.01495	Fitting - Bulkhead 1/4" Thermo-plastic (was 21.00365)
41	32.01496	Fitting - Bulkhead 3/8" Thermo-plastic (was 21.00366)
42	11.80528	Tubing - Gauge .25" OD Black (Was 07.16715)
43	11.80529	Airline - 3/8" Ft. (Was 07.20290)
44	21.21451	Elbow 1/4t x 3/8 Stem
45	21.21452	Side Switching Valve
46	21.22076	Thumbscrew
47	21.22077	Lid
48	07.20708	Valve, Brass Ball (SN 21.12231 & After)
48a	07.17385	Handle
49	21.23134	Box - Control (Red) Foamer

FOAMER WET SYSTEM

NOTE: TO ORDER FOAM MARKER SYSTEM COMPLETE, ORDER 21.22775

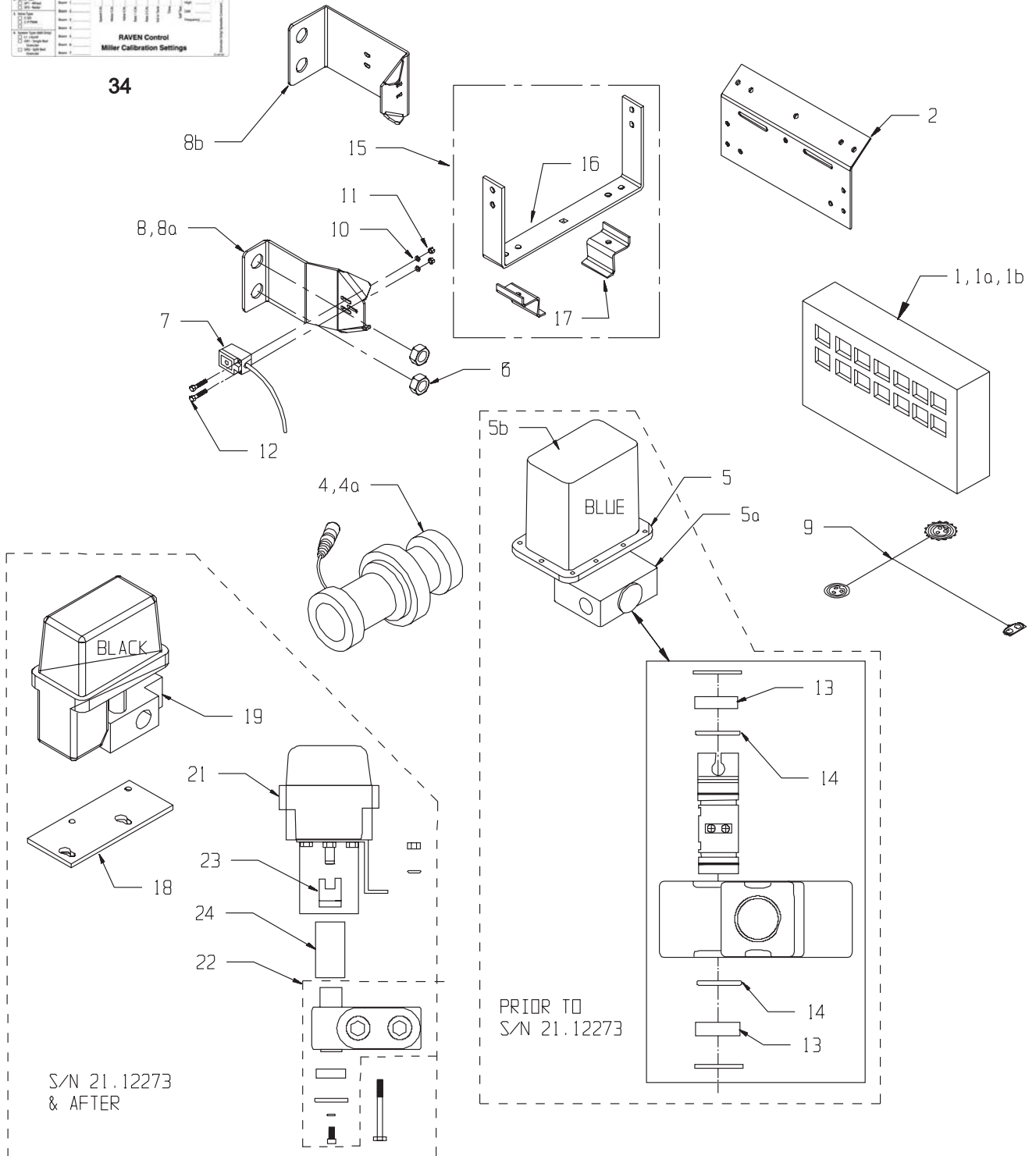


FOAMER WET SYSTEM

KEY	PART NO.	DESCRIPTION
1	07.08577	Reducer, Brass 1/8m x 1/4f
2	07.08578	Washer, Flat 3/8
3	07.08579	Check Valve
4	07.20853	Fitting, Straight, 1/8m x 1/4y
5	07.20825	Elbow, 1/8m x 1/4t
6	21.00855	Valve, Pressure, 2-way High
7	21.00853	Straight, Brass, 1/8m x 1/4m
8	21.00856	Foam Regulator
9	07.20825	Elbow 1/8m x 1/4t
10	21.00857	Elbow, 1/8f x 1/4
11	21.00843	Gauge
12	07.08580	Tee, Brass 1/4m Run
13	07.08581	Elbow, 1/4 Street
14	21.21453	Valve, Air Relief (20 PSI)
15	07.20254	Elbow, 1/4 Stem x 3/8t
16	07.20208	Check Valve 3/8" Disk
17	11.80529	Tubing, 3/8
18	07.08589	Elbow, 3/8 stem x 3/8t
19	07.08587	Control Module (Block Only)
20	07.08582	Elbow, 1/4 Stem x 1/4t
21	07.08584	Elbow, (QC) 1/8m x 1/4t
22	07.08585	Solenoid Valve, 3-way
23	07.08586	Solenoid Valve, 2-way
24	07.08588	Flow Control Valve w/Knob
25	07.08583	Control Module Assembly
26	21.22966	Power Unit Base
27	21.22967	Power Unit Cover
28	21.23135	Box - Control (SS) Foamer
29	21.21883	Logo, Miller application 2.5x4.75

SPRAY MONITOR, RADAR & FLOW CONTROL

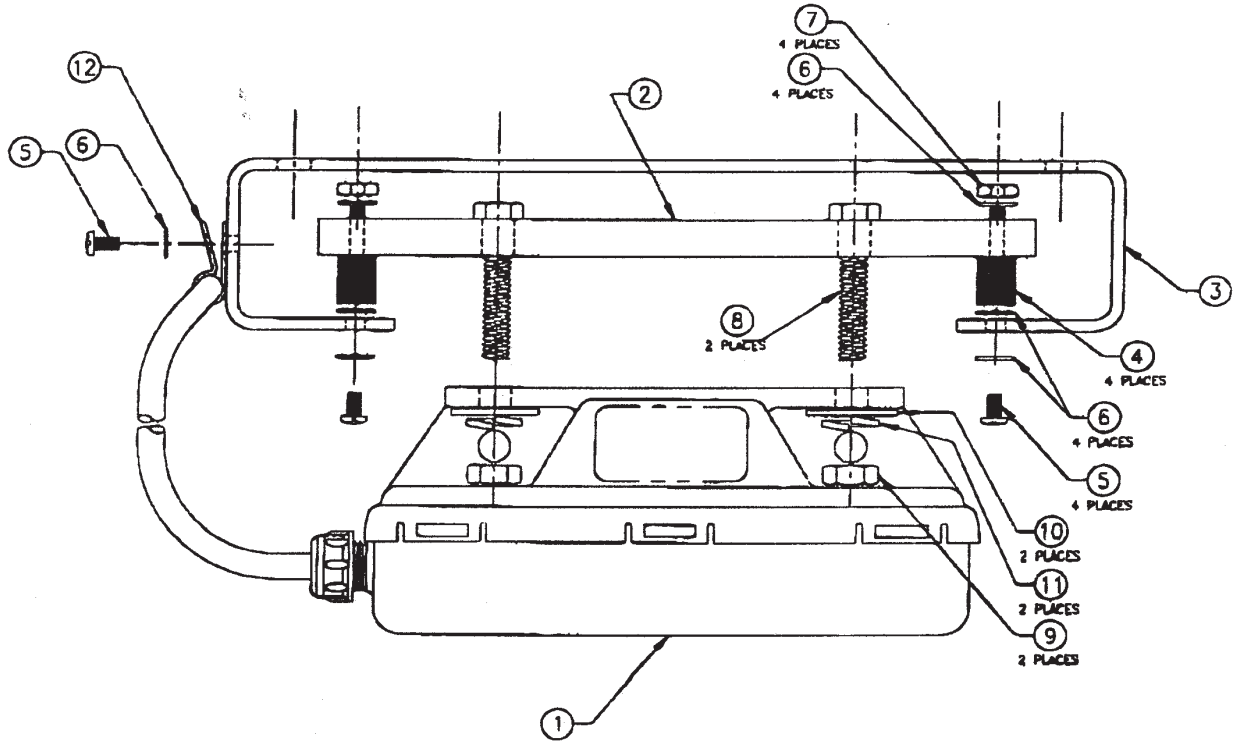
RAVEN Control Miller Calibration Settings									
1	2	3	4	5	6	7	8	9	10
11	12	13	14	15	16	17	18	19	20
21	22	23	24	25	26	27	28	29	30
31	32	33	34	35	36	37	38	39	40



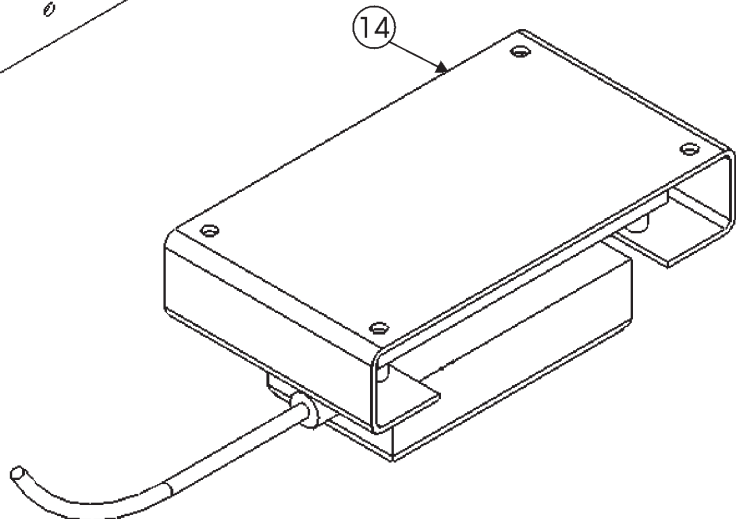
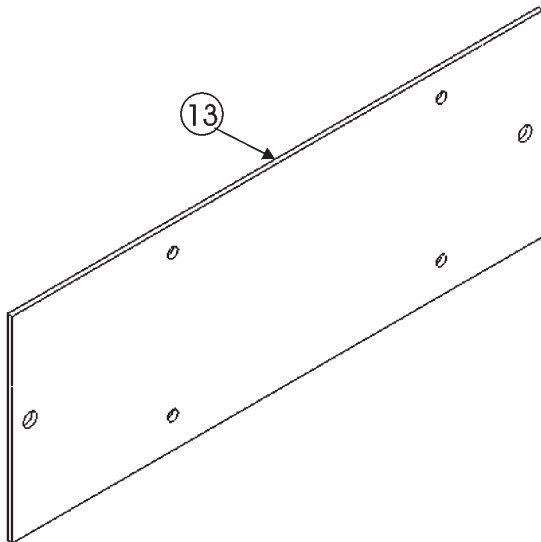
SPRAY MONITOR, RADAR & FLOW CONTROL

KEY	PART NO.	DESCRIPTION
1	21.00151	Raven 460 Console w/Lights
1a	32.02205	Console - Raven SCS 660 (Opt)
1b		Console 750 (Consult Factory)
2	21.22610.5	Console Mounting Bracket (was 21.09019.7)
4	07.07721	RFM 60 (Std. On S/N 21.12433 & After)
4a	07.20116	RFM 55 (Prior To S/N 21.12433)
4b	07.20162	RFM 100 (Opt)
5	21.00077	Flow Control (pipe ports) on machines prior to 2001 (Replace with 32.02663 will need two (2) 21.00302 Connector - 12 ORFS/12 ORST and One (1) 907334 Plug - 12 ORB)
	32.02663	Flow Control (ORB Ports) on machine 2001 through S/N 21.12272
	32.02292	Fast Flow Control (ORB Ports) option
5a	21.21171	Valve Only (pipe ports) on machines prior 2001 (Replace with 32.02664 will need two (2) 21.00302 Connector - 12 ORFS/12 ORST and One (1) 907334 Plug - 12 ORB)
	32.02664	Valve Only (ORB ports) on machines 2001 & After
5b	07.20357	Motor (For 21.00077 & 32.02663)
6	900361	Jam Nut
7	21.20326	Sensor
8	21.20328	Bracket, Wheel Drive (200/2200T/2200TSS machines)
8a	21.20329	Bracket, Wheel Drive (200HT/2200HT & 275/2275HT machines)
8b	21.22685	Bracket, Wheel Sensor, Dyna + MS-18
9	21.20817	Harness, Wheel Drive
10	904862	Washer - Mach #8
11	907206	HHD Nut - #8-32 KEPS
12	907207	Screw - #8-32 x 1-1/2 HHD
13	07.08145	Quad Ring
14	07.08146	O-Ring
15	21.00725	Kit-Raven Mount, Steering Column (to update machines prior to S/N 21.12233), Includes Hardware. NOTE: Will not work on 200's & 200HT's prior to S/N 21.12130.
16	21.22605.5	Bracket, SCS
17	21.22609.5	Clip, Hold Down
18	21.22911	Plate, Valve Mount
19	21.22912	Flow Control (orb Port) on S/N 21.12273 & up
21	21.22914	Motor Assembly, Control
22	32.02664	Valve Assembly 30GPM #12 Port
23	21.22915	Coupler, Brand
24	21.22916	Retainer, Grease
34	21.24129	Decal - Raven Control Settings

RAVEN RADAR REPLACEMENT PARTS



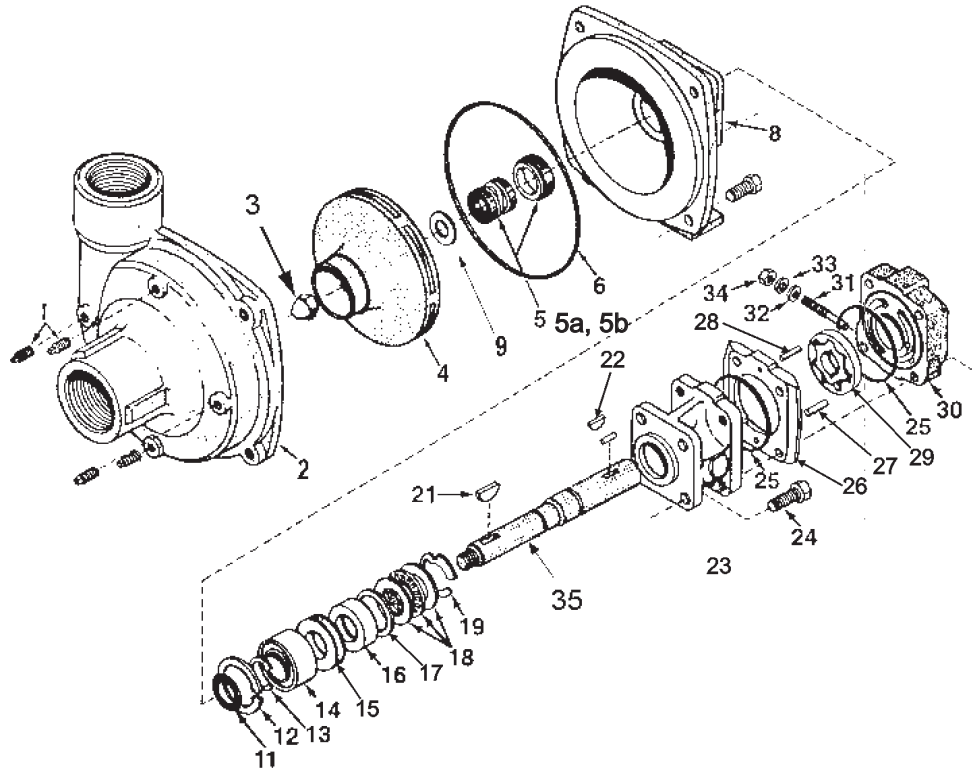
NOTE: RADAR GUN ON MACHINE
S/N 21.12327 & AFTER.



RAVEN RADAR REPLACEMENT PARTS

KEY	PART NO.	DESCRIPTION
1	07.09294	Sensor, Speed
2	07.09295	Plate, Mounting
3	07.09296	Bracket, Mounting
4	07.09297	Isolator, Vibration
5	07.09298	Screw, 8-32 UNC x 5/16"
6	07.09299	Lockwasher, #8 Stl Zinc
7	07.09300	Nut, 8/32 Hex
8	07.09301	Bolt, 5/16-18 x 1"
9	07.09302	Nut, 5/16-18 Zinc Plated
10	07.09303	Washer, .312 ID x .734 OD
11	07.09304	Washer, Split Zinc
12	07.09305	Clamp, Cable
13	21.09018.5	Radar Mtg. Plate
14	07.08821	Radar (Was 07.20368) (S/N 21.12327 & After)

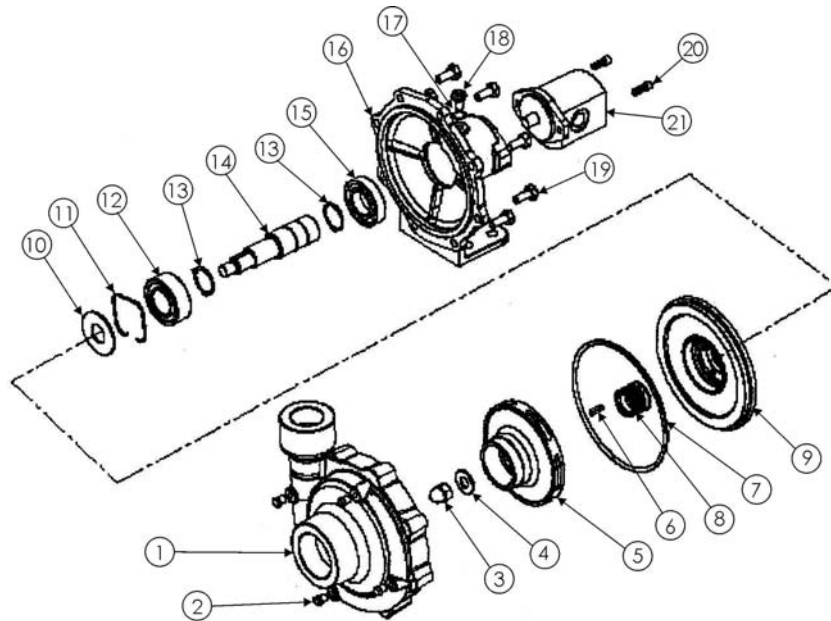
9304C-HM5C
PRODUCT PUMP, LOW FLOW - #21.20663
 (STANDARD ON MACHINES PRIOR TO S/N 21.12433)



KEY	PART NO.	DESCRIPTION
	07.17641	Repair Parts Kit Pump (Includes #6, #5, and #9)
	07.12279	Kit Hydraulic Motor Repair
	21.20664	Hydraulic Motor - Hydraulic Pro Pump HM5
2	21.22097	Pump Casing (Volute) (Includes a stainless steel wear ring #21.21728)
3	07.12192	Nut - Impeller
4	21.20693	Impeller (Nyglass, std.)
5	07.12153	Mechanical Seal (Viton) Std.
5a	07.17641	Seal Kit (Inc. Items 5, 6 & 9)
5b	07.09190	Seal Kit - Hi Wear (Includes Item 5, 6, Item 9 Not Used w/ Kit)
6	07.12113	O-ring
8	07.12170	Mounting Flange
9	07.12634	Rubber Gasket
11	07.12080	Slinge Ring
12	07.12125	Retaining Ring
13	07.12122	Snap Ring
14	07.13135	Bearing
15	07.15439	Spacer

KEY	PART NO.	DESCRIPTION
16	07.13406	Shaft Seal
17	07.15433	Spacer Seal
18	07.15435	Thrust Bearing Assembly
19	07.15434	Snap Ring
21	07.12096	Keyword Ruff
22	07.07861	Roll Pin
23	07.09359	Motor Body (Includes Main Bearing)
24	07.12166	Hex Head Capscrew
26	07.09360	Gerotor Housing
27	07.07865	Dowel Pin
28	07.07867	Dowel Pin
29	07.09361	Gerotor
30	07.09362	Motor End Plate (Includes Main Bearing)
31	07.13553	By Pass Adjusting Screw
32	07.13554	Gasket
33	07.13555	Washer
34	07.13546	Jam Nut
35	07.08252	Shaft

PUMP W/ MOTOR, 9307C-GM10 - 21.23923



KEY	PART NO.	DESCRIPTION
1	21.23929	Pump Casing, 9307
2	21.23930	Pipe Plug, 9307
3	21.23931	Acorn Nut, 9307
4	21.23932	Washer, 9307
5	21.23933	Impeller, 9307
6	21.23934	Key, 9307
7	21.23935	O-Ring, 9307 Flange
8	21.23936	Mech Seal, 9307
9	21.23937	Seal Flange, 9307
10	21.23938	Slinger, 9307
11	21.23939	Retaining Ring, 9307 Large
12	21.23940	Bearing, 9307 Pump Side
13	21.23941	Retaining Ring, 9307 Small
14	21.23942	Shaft assembly, 9307
15	21.23943	Bearing, 9307 Motor Side

KEY	PART NO.	DESCRIPTION
16	21.23944	Mounting Flange
17	21.23945	O-Ring, 9307 Plug
18	21.23946	Plug, 9307
19	21.23947	Bolt, 9307 Flange
20	21.23948	Bolt, 9307 Motor
21	21.23949	Hyd Motor, 9307 GM10

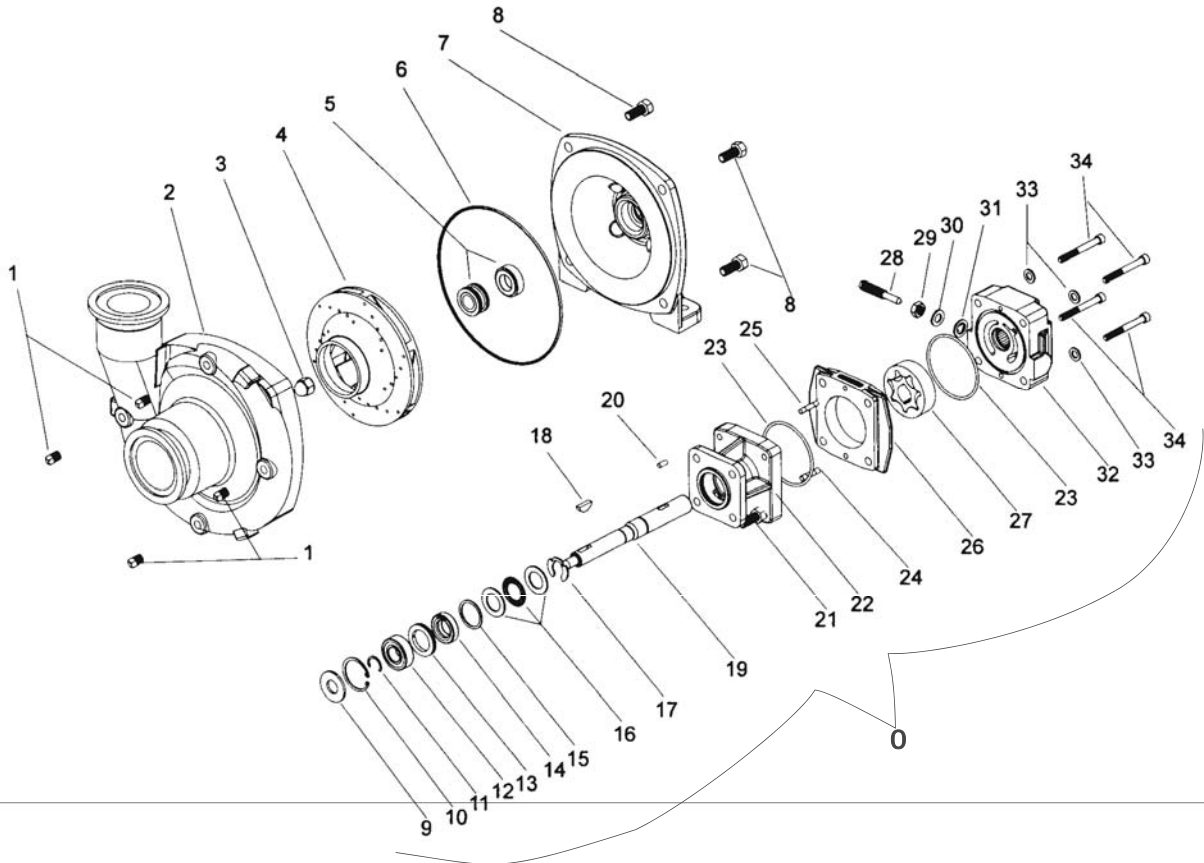
9306C-HM5C-BU

PRODUCT PUMP, HIGH FLOW

#21.22589 (ON S/N 21.12223 THRU 21.12459) THREADED HOUSING INLET/OUTLETS

#21.23649 (ON S/N 21.12460 & AFTER) FLANGED HOUSING INLET/OUTLETS,
SILICON CARBIDE MECH. SEAL (STD.)

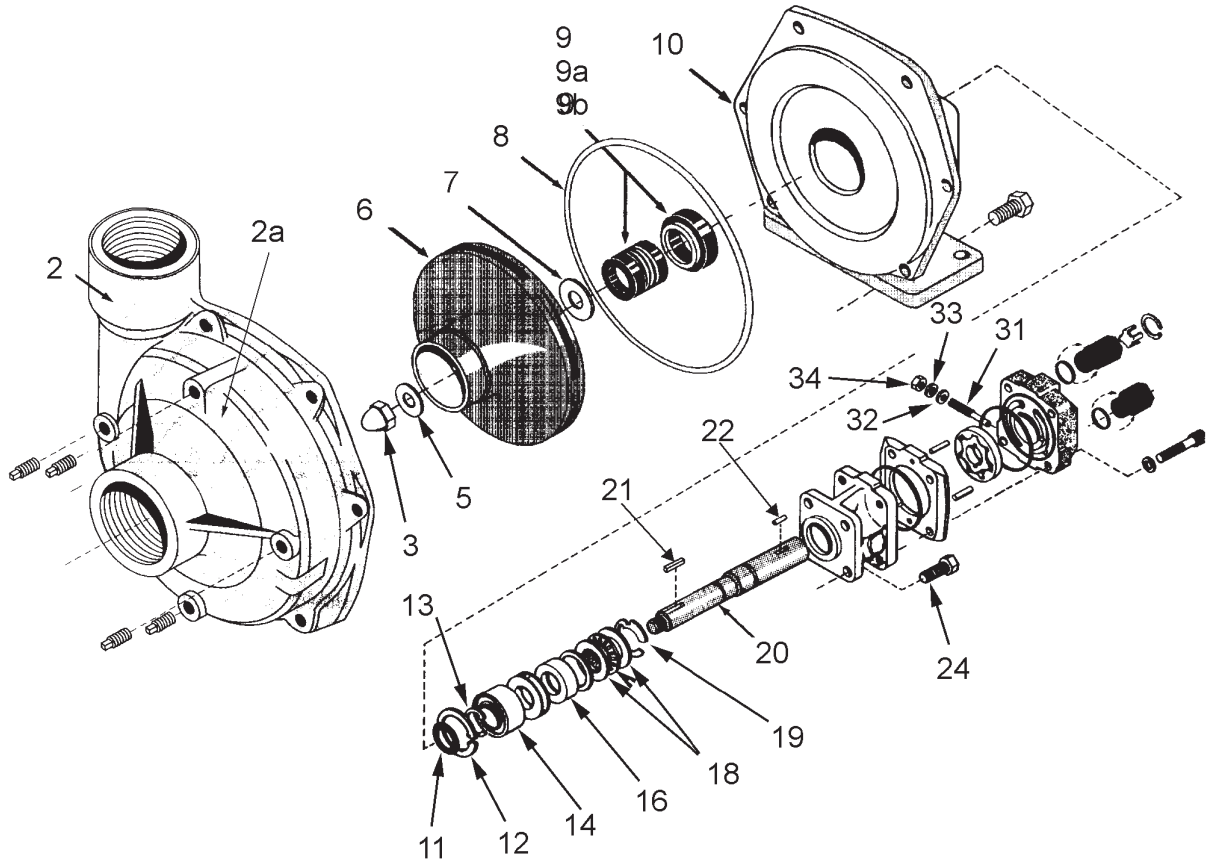
NOTE: S/N 21.12229 HAS PUMP 21.00177



KEY	PART NO.	DESCRIPTION
0	21.20664	Hydraulic Motor HM5
	07.12279	Kit, Hydraulic Motor Repair
1	07.12625	Drain/ Vent Plug
2	07.09358	Pump Casing, Flanged Outlet (220 x220)
	21.22997	Pump Casing, Threaded Outlet
3	07.12192	Impeller Nut
4	07.08905	Impeller (Nylon)
5	07.12153	Mechanical Seal (Viton) Std
5a	07.17641	Seal Kit (Std.) Inc. 5, 6 & 9
5b	07.09190	Seal Kit - Hi Wear (Inc. Items 5&6)
6	07.12113	O-Ring (Included In Kit)
7	07.12170	Mounting Flange
8	07.12166	Hex Head cap Screw
9	07.12080	Slinger Ring
10	07.12125	Retaining Ring
11	07.12122	Snap Ring
12	07.13135	Ball Bearing
13	07.15439	Spacer
14	07.13406	Hydraulic Motor Shaft Seal
15	07.15433	Seal Spacer

KEY	PART NO.	DESCRIPTION
16	07.15435	Thrust Bearing Assembly Consists of: 1 Thrust Bearing & 2 Races
17	07.15434	Snap Ring
18	07.12096	Woodruff Key
19	07.08252	Shaft
20	07.07861	Round Key
21	07.12166	Hex Head Cap Screw
22	07.09359	Motor Body (Includes Main Bearing)
23	07.07397	O-Ring
24	07.07865	Locating Pin
25	07.07867	Locating Pin
26	07.09360	Gerotor Housing
27	07.09361	Gerotor
28	07.13553	Bypass Adjusting Screw
29	07.13546	Lock Nut
30	07.13555	Washer
31	07.13554	Gasket
32	07.09362	Motor End Plate (Includes Main Bearing)
33	07.07871	Washer
34	07.07872	Cap Screw

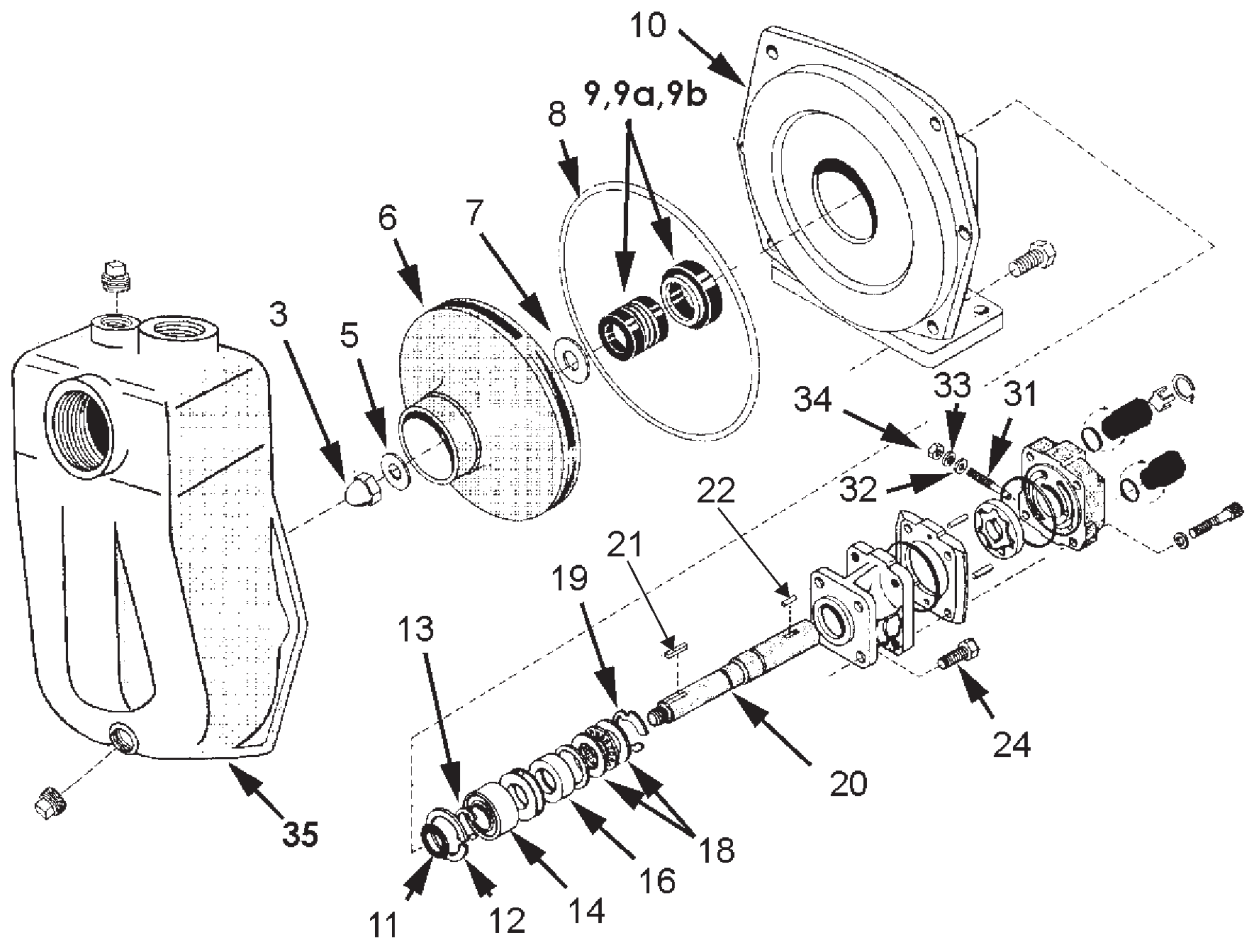
9305C-HM3C
PRODUCT PUMP, HIGH FLOW
 #21.00177 (ON S/N PRIOR TO 21.12223 & 21.12229)



KEY	PART NO.	DESCRIPTION
2	21.00815	CM Pump Casting (Includes SS Wear Ring)
2a	21.21728	Wear Ring
3	07.12192	Nut - Impeller
5	07.12193	Washer - Impeller
6	21.00811	Impeller
7	07.12634	Rubber Gasket
8	21.00810	O-ring
9	07.12153	Mechanical Seal (Std)
9a	21.00813	Seal Kit (Std)(Includes Items 7, 8 & 9)
9b	07.09363	Seal Kit - Hi Wear (Includes Items 8 & 9, Item 7 Not Used w/ Kit)
10	21.00814	Mounting Flange
	21.00812	Hydraulic Motor Complete
	07.12279	Hydraulic Motor Seal Kit (Includes keys 14, 16, 25, 32, 33, 37)
	21.00813	Kit, Mechanical Seal (Includes keys 7, 8 and 9)

KEY	PART NO.	DESCRIPTION
11	07.12080	Slinge Ring
12	07.12125	Retaing Ring
13	07.12122	Snap Ring
14	07.13135	Bearing
16	07.13406	Shaft Seal
18	07.15435	Thrust Bearing Assembly
19	07.15434	Snap Ring
20	21.20700	Shaft - HMC3 Motor Drive
21	07.12096	Key, Woodruff
22	07.15437	Roll Pin - 7gpm Motor - HM4
24	07.12166	Hex Head Capscrew
31	07.13553	By Pass Adjusting Screw
32	07.13554	Gasket
33	07.13555	Washer
34	07.13546	Jam Nut

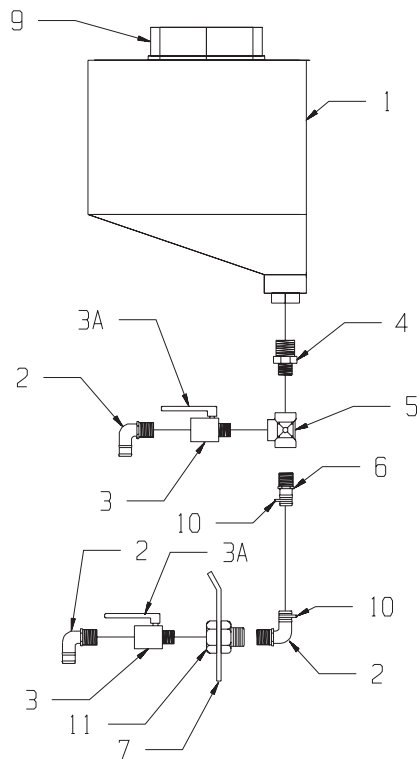
9305C-HM3C-SP
SELF-PRIMING PUMP
 #21.20846



KEY	PART NO.	DESCRIPTION
3	07.12192	Nut - Impeller
5	07.12193	Washer - Impeller
6	21.00811	Impeller
7	07.12634	Rubber Gasket
8	21.00810	O-ring
9	07.12153	Mechanical Seal
9a	21.00813	Seal Kit (Includes Items 5,7 & 8)
9b	07.09363	Seal Kit (Includes Items 5 & 8, Item 7 Not Used w/ Kit)
10	21.00814	Mounting Flange
	21.00812	Hydraulic Motor Complete
	07.12279	Hydraulic Motor Seal Kit (Includes keys 14, 16, 25, 32, 33, 37)
	21.00813	Kit, Mechanical Seal (Includes keys 7, 8 and 9)
11	07.12080	Slinge Ring

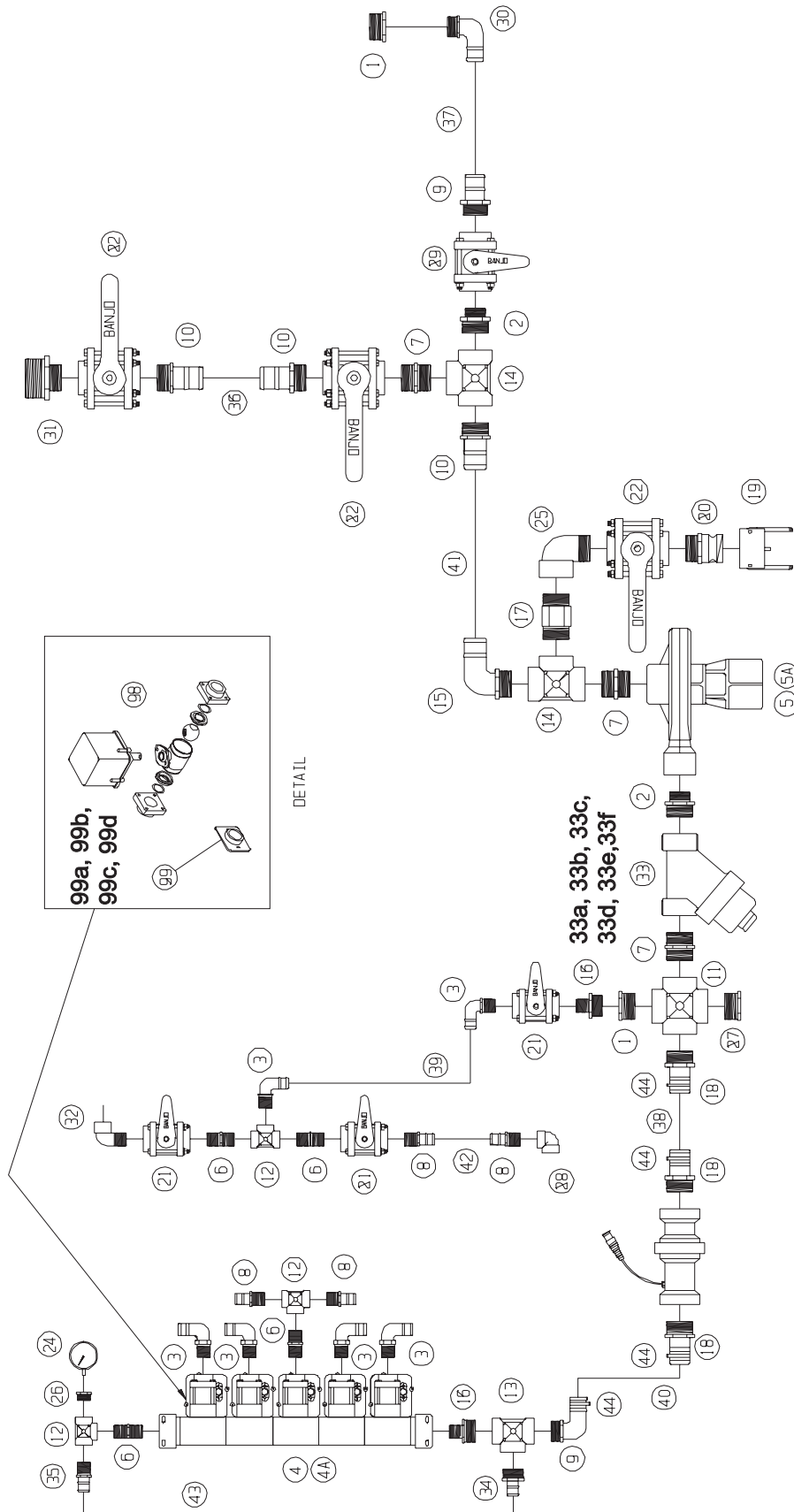
KEY	PART NO.	DESCRIPTION
12	07.12125	Retaing Ring
13	07.12122	Snap Ring
14	07.13135	Bearing
16	07.13406	Shaft Seal
18	07.15435	Thrust Bearing Assembly
19	07.15434	Snap Ring
20	21.20700	Shaft - HMC3 Motor Drive
21	07.12096	Key, Woodruff
22	07.15437	Roll Pin - 7gpm Motor - HM4
24	07.12166	Hex Head Capscrew
31	07.13553	By Pass Adjusting Screw
32	07.13554	Gasket
33	07.13555	Washer
34	07.13546	Jam Nut
35	21.24191	Chamber, Self Priming

HAND RINSE CIRCUIT



KEY	PART NO.	DESCRIPTION
1	07.19022	Tank, Clean Water
2	07.10295	Elbow, ½ Hose Barb x 1/2npt 90°
3	07.20708	Valve, Brass Ball
3a	07.17385	Handle
4	07.15684	Reducer Nipple, 1/2nptx3/4npt
5	07.10383	1/2npt Tee
6	07.10333	½ Hose Barb-1/2npt Straight
7	21.20791	Plate, Switch Remote Throttle
8	07.10565	½" Hose/Ft.- 7 ft
9	07.17338	Cap
10	07.13739	Clamp #6
11	21.20792	Bulkhead, Fitting ½ Poly

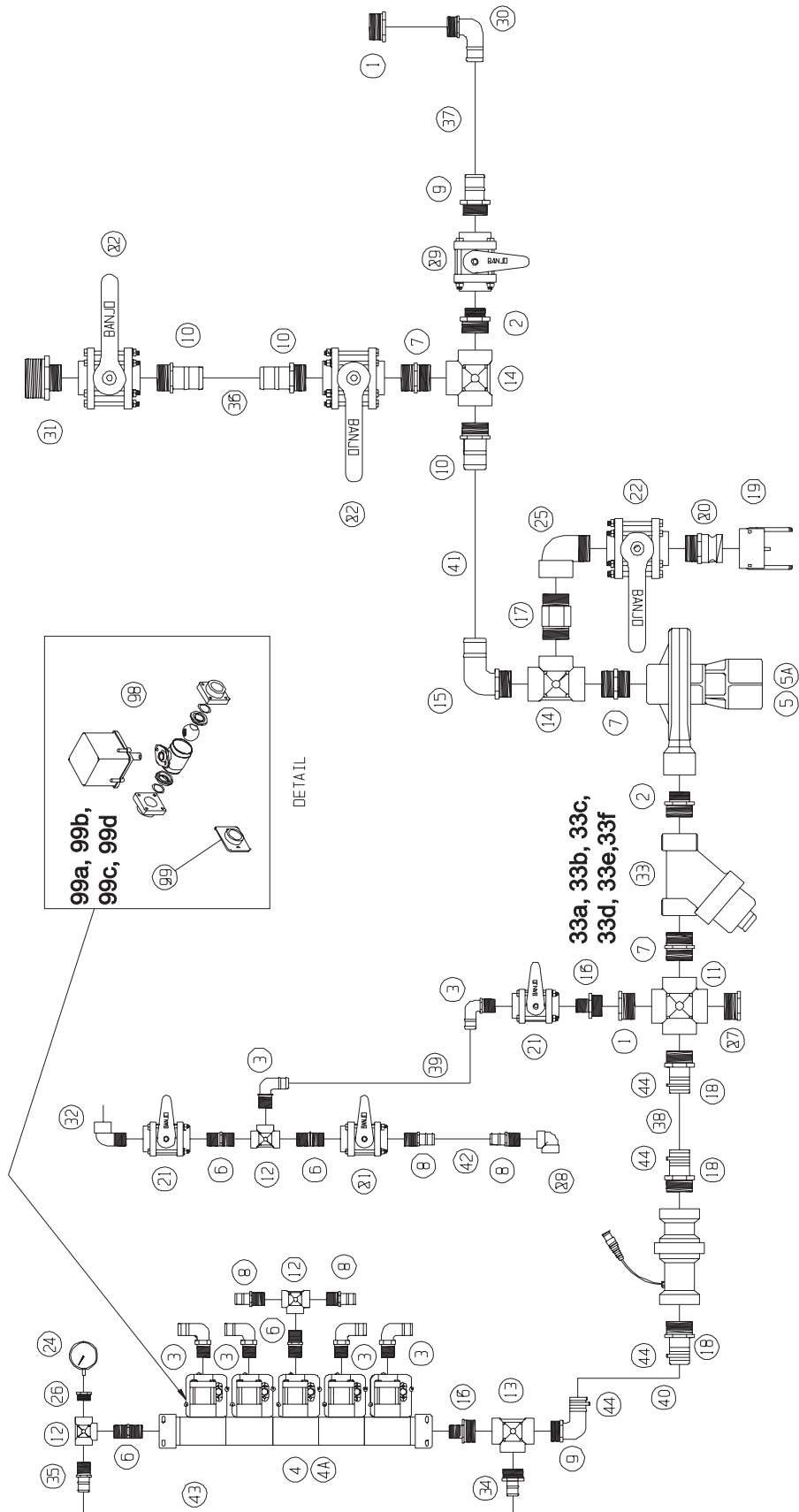
WET SYSTEM (PRIOR TO 2000) (1 OF 2)



WET SYSTEM (PRIOR TO 2000)
(1 OF 2)

KEY	PART NO.	DESCRIPTION
1	07.10258	Reducer Bushing, 2npt x 1-1/2 npt
2	07.10269	Reducer Nipple 2 npt x 1-1/2 npt
3	07.10289	Hose Barb, Elbow, 90, 1 npt x 1 hb
4	21.00072	5 Section Ball Valve
4a	21.00158	3 Ball Manifold
5	21.00177	Spray Pump, 9305C-HM 3C
5a	21.00079	Spray Pump, 9304CHM1
6	07.10316	Nipple, Short, 1 npt
7	07.10321	Nipple, Short, 2 npt
8	07.10327	Hose Barb, 1 npt x 1 hb
9	07.10292	Hose Barb, Elbow 90, 1-1/2 npt x 1-1/2 hb
10	07.10342	Hose Barb, 2 npt x 2 hb
11	07.10354	Cross, 2 npt
12	07.10386	Tee, 1 npt
13	07.10387	Tee, 1-1/2 npt
14	07.10390	Tee, 2 npt
15	07.10396	Hose Barb, Elbow, 2 npt x 2 hb
16	07.10400	Reducer Nipple, 1-1/2 npt x 1 npt
17	07.10407	Nipple, Long (4") 2 npt
18	07.10428	Hose Barb, 2 npt x 1-1/2 hb
19	07.12379	Cap, Dust, 2" Cam Coupling
20	07.12352	Coupling, Cam, 2 Male x 2 Male npt
21	07.13373	Valve, 1 npt Full Port
22	07.15692	Valve, 2 npt Full Port
24	07.16209	Gauge, 200 Liquid Filled
25	07.16424	Street Elbow, 2 npt
26	07.16429	Reducer Bushing, 1 npt x 1/4 npt
27	07.16530	Plug, 2 npt
28	07.16425	Elbow, Female, 1 npt
29	07.12298	Valve, 1-1/2 Full Port
30	07.10292	Hose Barb, Elbow, 1-1/2 npt x 1-1/2 npt
31	07.10426	Reducer Nipple, 3 npt x 2 npt
32	07.13371	Street Elbow, 1 npt
33	07.10476	Y Filter, 2 npt 50 Mesh
33a	07.10476	Y Filter, 2 npt 50 Mesh
33b	07.10480	Gasket
33c	07.10696	Viton "O" Ring Clean Out Plug
33d	07.10694	1" Clean Out Plug
33e	07.10482	End Cap

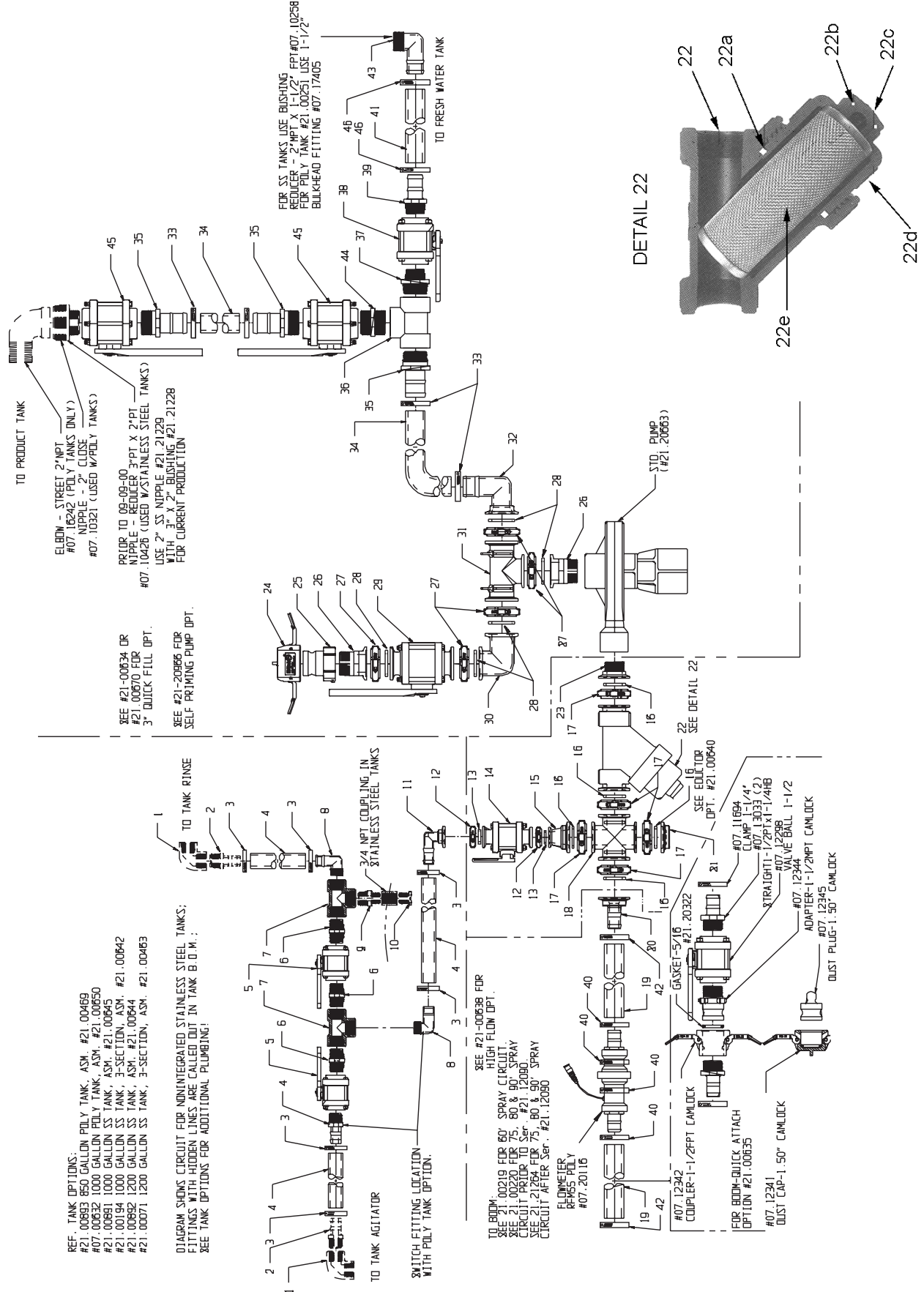
WET SYSTEM (PRIOR TO 2000) (2 OF 2)



WET SYSTEM (PRIOR TO 2000)
(2 OF 2)

KEY	PART NO.	DESCRIPTION
33f	07.09542	50 Mesh SS Screen
34	07.13033	Hose Barb, 1-1/2 npt x 1-1/4 hb
35	07.13034	Hose Barb, 1 npt x 1-1/4 hb
36	07.15985	2" Suction Hose (in feet)
37	07.15733	1.5" Suction Hose (in feet)
38	07.10583	1.5 epdm Pres Hose (in feet)
39	07.10557	1" epdm Pres Hose (in feet)
40	07.10583	1.5 epdm Pres Hose (in feet)
41	07.15985	2" Suction Hose (in feet)
42	07.10557	1" epdm Pres Hose (in feet)
43	07.10582	1.25" epdm Pres Hose (in feet)
44	07.11692	1 1/2" T-Bolt Clamps
98	07.20082	Ball Valve Assm
99	07.13693	End Cap
99a	07.13693	End Cap Manifold
99b	07.11440	Spacer O Ring Support Between Sections Manifold (Not Illustrated)
99c	07.11286	"O"Rings (2) Per Section (Not Illustrated)
99d	07.11129	Alignment Insert (Not Illustrated)

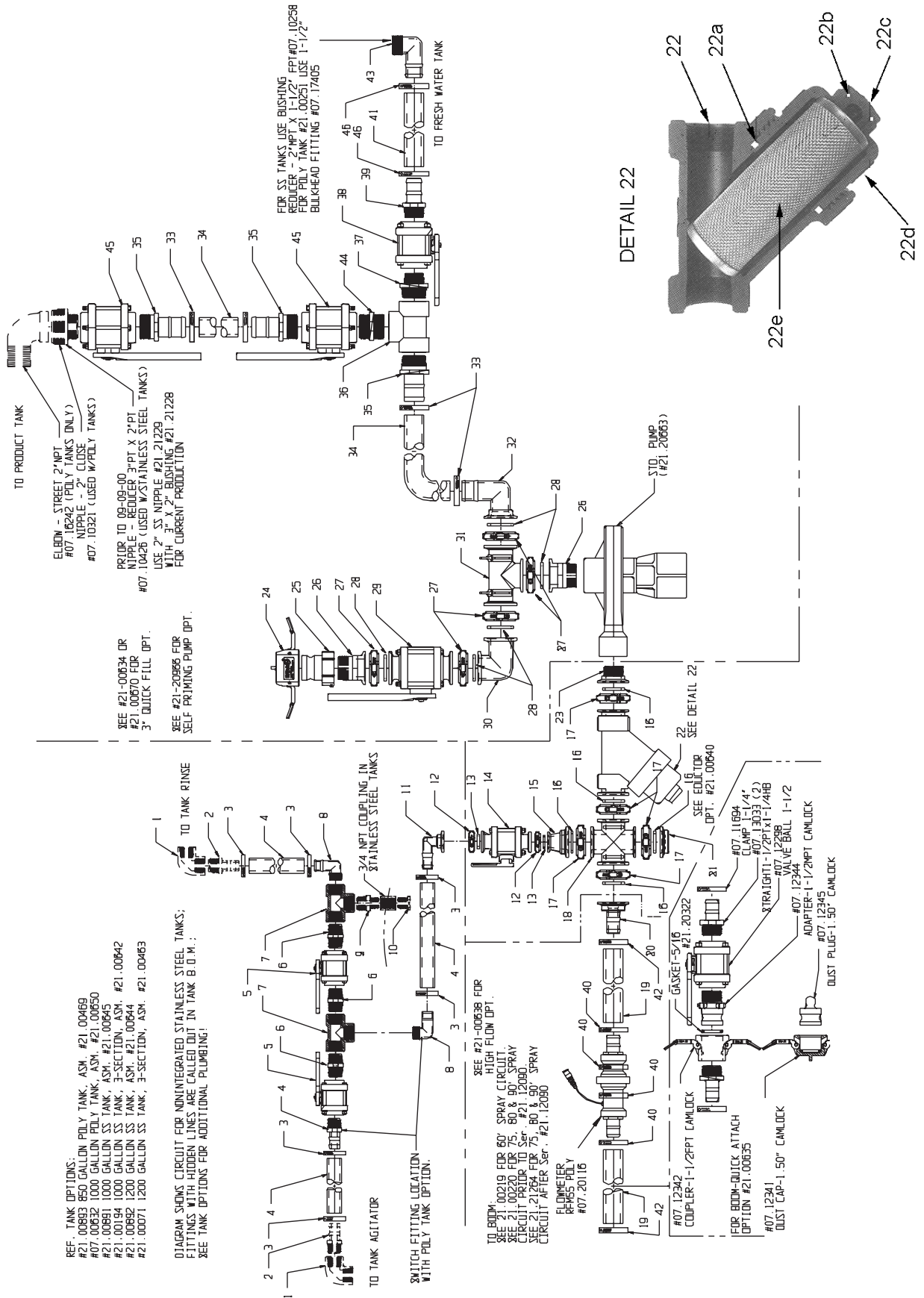
SPRAY CIRCUIT FRAME - #21.00209 (2000 TO S/N 21.12190) (1 OF 2)



SPRAY CIRCUIT FRAME - #21.00209
(2000 TO S/N 21.12190)

KEY	PART NO.	DESCRIPTION
1	07.16425	Elbow - 90° 1" FPT x 1" FPT
2	07.10327	Straight - 1" PT x 1" HB NY
3	07.11698	Clamp - 16HS
4	07.10557	Hose 1" Diameter
5	07.13373	Valve - Ball 1" Full Port
6	07.10316	Nipple - 1" Close NY
7	07.10386	Tee - 1" FPT
8	07.10289	Elbow - 90° 1" MPT x 1" HB NY
9	07.10397	Nipple - Reducer 1" PT x ¾" PT
10	07.10367	Hex Plug - ¾" MPT
12	21.20995	Clamp - Worm 100 Series
13	21.20994	Gasket - EDPM 100 Series
14	21.20992	Valve - Ball Flg 1" x 1"
15	21.20993	Reducer - 2" Flg x 1" Flg
16	07.06701	Gasket - EDPM 2"
17	07.06702	Clamp - 2" Worm Screw
18	21.21000	Cross - Flg 2" STD Port
19	07.10561	Hose - 1-1/4" Diameter
20	21.21078	Fitting - Flg 2" STD 1-1/4" HB
21	21.20996	Plug - Flg 2" STD Port
22	07.07004	Strainer - Polyline 2" x 2"
22a	07.10480	Gasket
22b	07.10696	Viton "O" Ring Clean Out Plug
22c	07.10694	1" Clean Out Plug
22d	07.10482	End Cap
22e	07.09542	50 Mesh SS Screen
	21.20941	20 Mesh SS Screen
	21.20781	80 Mesh SS Screen
23	07.06696	Fitting - 2" Flg x 1-1/2" MPT
24	07.12379	Dust Cap - 2" Camlock
25	07.12346	Adapter - Male 2" FPT Poly
26	21.20999	Fitting - Manifold 2" Full Port
27	21.21068	Clamp - Worm 220 Full Port
28	07.11584	Gasket - EPDM 200 Full Port
29	21.21069	Valve - Ball 2" Full Port Flg
30	21.21077	Elbow - 90° 2" Flg Full Port
31	21.21001	Tee - Flg 2" Full Port
32	21.21002	Elbow - 90° 2" Flg HB
33	07.11691	Clamp - Banjo Super 2" SS

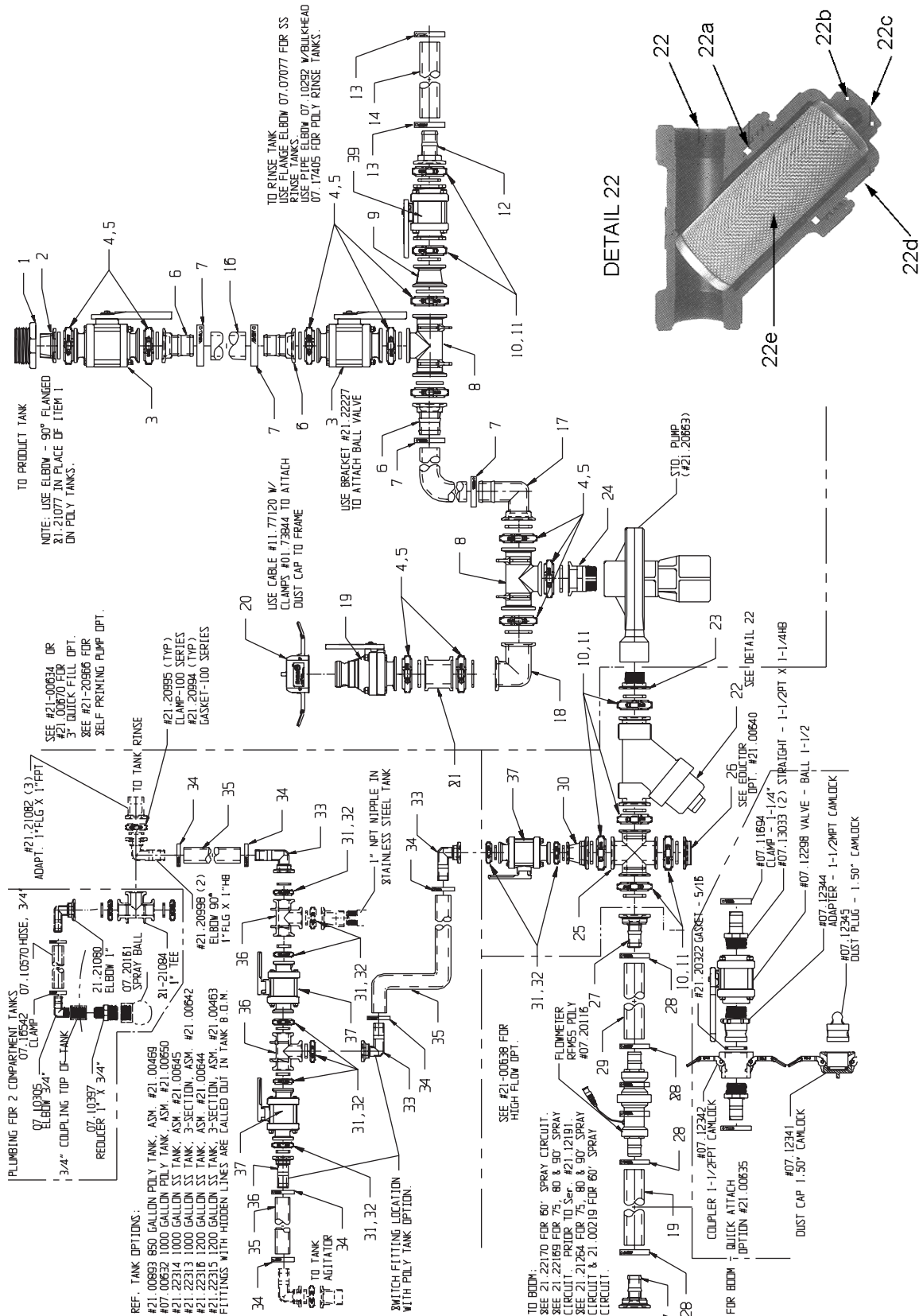
SPRAY CIRCUIT FRAME - #21.00209 (2000 TO S/N 21.12190) (2 OF 2)



SPRAY CIRCUIT FRAME - #21.00209
(2000 TO S/N 21.12190)

KEY	PART NO.	DESCRIPTION
34	07.15985	Hose 2" Ø
35	07.10342	Straight - 2" MPT x 2" HB
36	07.10390	Tee - 2" FPT
37	07.10269	Nipple - Reducer 2" x 1-1/2"
38	07.12298	Valve - Ball 1-1/2 PT Full Port
39	07.10329	Straight - 1-1/2" PT x 1-1/2" HB NY
40	07.11690	Clamp - B28HS
41	07.15733	Hose 1-1/2" Diameter
42	07.11694	Clamp - Banjo Super 1.25" SS
43	07.10292	Elbow - 90° 1-1/2" MPT x 1-1/2" HB
44	07.10321	Nipple - 2" Close NY
45	07.15692	Valve - Ball 2" NPT Full Port
46	07.07739	Clamp - Banjo Super 1.81-2.06

SPRAY CIRCUIT, #21.22212 FRAME (S/N 21.12191 THRU 21.12459)



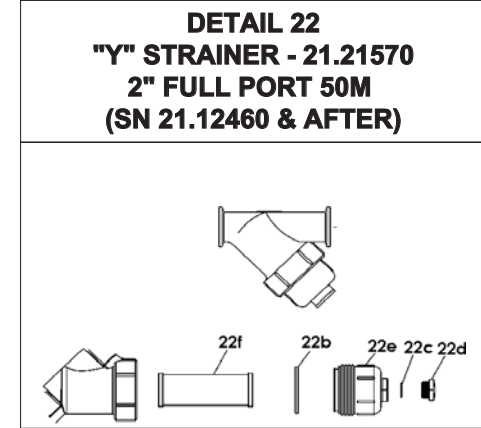
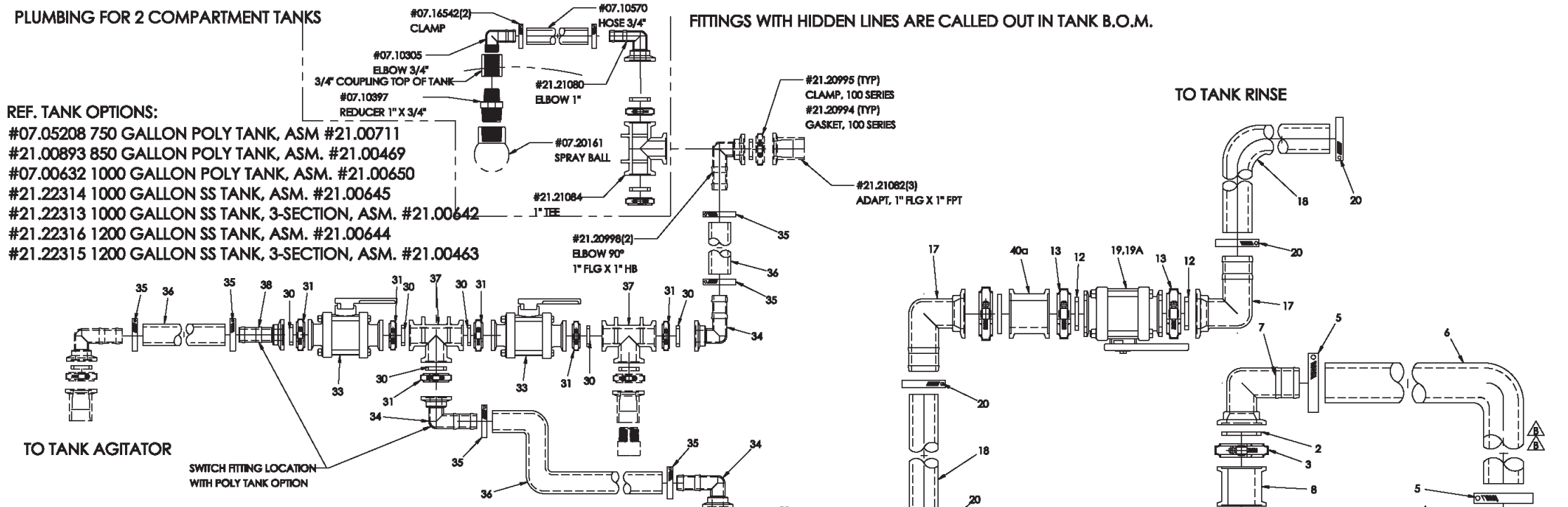
SPRAY CIRCUIT, #21.22212 FRAME (S/N 21.12191 THRU 21.12459)

KEY	PART NO.	DESCRIPTION	KEY	PART NO.	DESCRIPTION
1	21.21228	Bushing, 3" MPT X 2" FPT	31	21.20994	Gasket - EPDM 1"
2	07.07984	Fitting SS 2" FP X 2" MPT	31a		O-Ring
3	21.21069	Valve - Ball 2X2 FP Flange	32	21.20995	Clamp - Worm 100 Series
4	21.21068	Clamp - Worm 220 Full Port	33	21.20998	Elbow - 90° 1" FLG X 1" HB
5	07.11584	Gasket - EPDM 2" Full Port	34	07.11698	Clamp - Worm #16 SS
6	21.21079	Flange - 2" Full Port X 2"HB	35	07.10557	Hose - EPDM 1.00" X 2BR BLK
7	07.11691	Clamp - Banjo Super 2" SS	36	21.21084	Tee - Flanged 1"
8	21.21001	Tee - Flanged 2" Full Port	37	21.20992	Valve - Ball Flanged 1"
9	21.21003	Flange - Reducer 2" FP X 2"STD	38	21.21083	Fitting - 1" Flanged X 1" HB
10	07.06701	Gasket - EPDM 1-1/2"	39	07.06697	Valve - Ball Flanged 2" STD.
11	07.06702	Clamp - Worm Screw 2"			
12	07.06700	Fitting - 2" FLG X 1-1/2" HB			
13	07.07739	Clamp - Banjo Super 1-1/2" SS			
14	07.15733	Hose - Fert Sol 1.50"			
16	07.15985	Hose - Fert Sol 2.00"			
17	21.21002	Elbow - 90° 2" FP FLG X 2" HB			
18	21.21077	Elbow - 90° FLG 2 X 2 Full Port			
19	07.07110	Valve - Ball Stubby 2 X 2 FLG			
20	07.12379	Dust Cap - 2" Camlock			
21	07.07973	Coupling 2" Flg Full Port			
22	07.07004	Strainer - "Y" 2" Std Port 50M			
22a	07.10480	Gasket			
22b	07.10696	Viton "O" Ring Clean Out			
22c	07.10694	Plug - 1" Clean Out			
22d	07.10482	End Cap			
22e	07.09542	50 Mesh SS Screen			
	21.20941	20 Mesh SS Screen			
	21.20781	80 Mesh SS Screen			
23	07.06696	Fitting - 2 FLG X 1-1/2 MPT			
24	21.20999	Fitting - Manifold 2"FLG X 2"PT			
25	21.21000	Cross - Flanges 2" Std Port			
26	21.20996	Plug - Flanged 2" Std Port			
27	21.21078	Fitting - Flange 2" Std X 1-1/4HB			
28	07.11694	Clamp - Banjo Super 1.25 SS			
29	07.10561	Hose - EPDM 1.25" X 2BR 200 PSI			
30	21.20993	Fitting - 2" Std Port X 1" FLG			

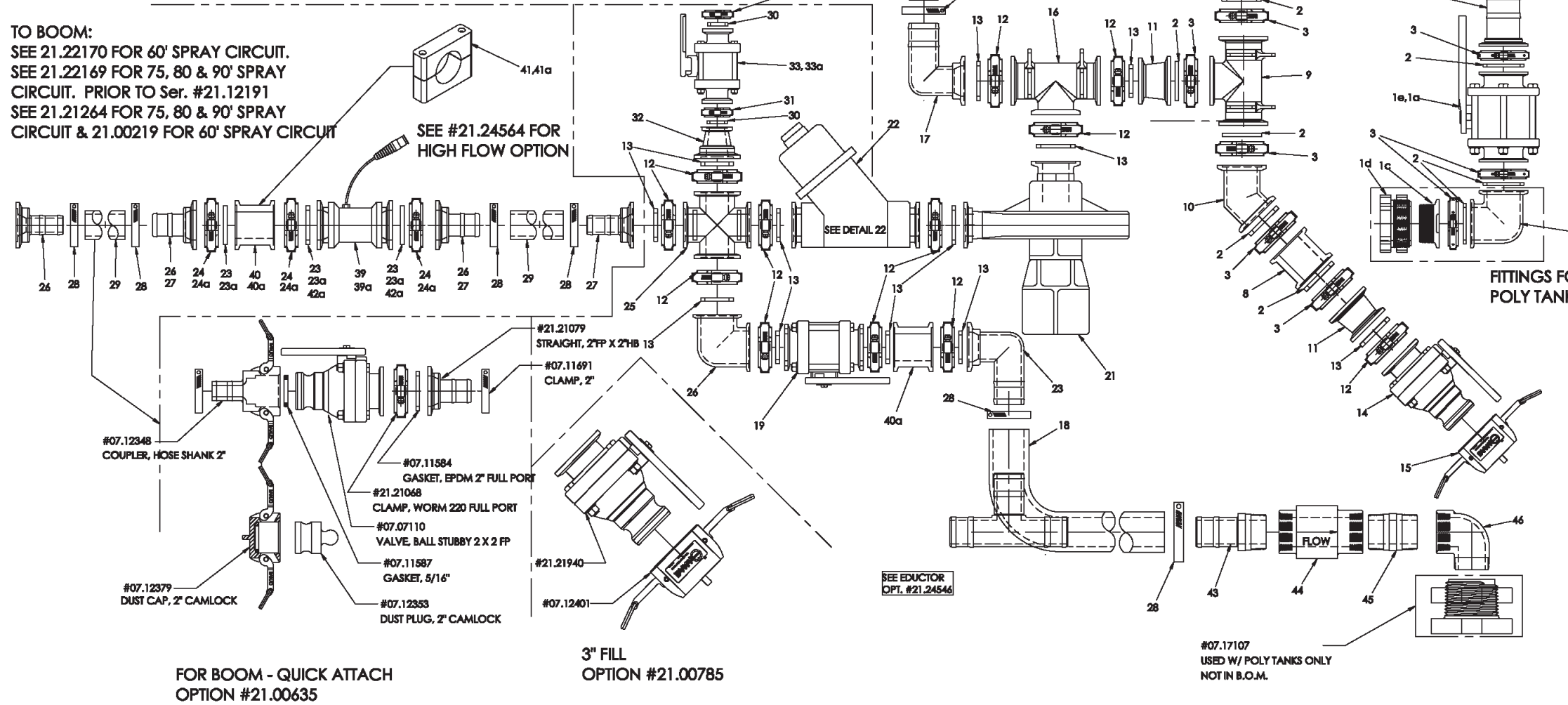
PLUMBING FOR 2 COMPARTMENT TANKS

REF. TANK OPTIONS:

- #07.05208 750 GALLON POLY TANK, ASM. #21.00711
- #21.00893 850 GALLON POLY TANK, ASM. #21.00469
- #07.00632 1000 GALLON POLY TANK, ASM. #21.00650
- #21.22314 1000 GALLON SS TANK, ASM. #21.00645
- #21.22313 1000 GALLON SS TANK, 3-SECTION, ASM. #21.00642
- #21.22316 1200 GALLON SS TANK, ASM. #21.00644
- #21.22315 1200 GALLON SS TANK, 3-SECTION, ASM. #21.00463



TO BOOM:
 SEE 21.22170 FOR 60' SPRAY CIRCUIT.
 SEE 21.22169 FOR 75, 80 & 90' SPRAY
 CIRCUIT. PRIOR TO Ser. #21.12191
 SEE 21.21264 FOR 75, 80 & 90' SPRAY
 CIRCUIT & 21.00219 FOR 60' SPRAY CIRCUIT

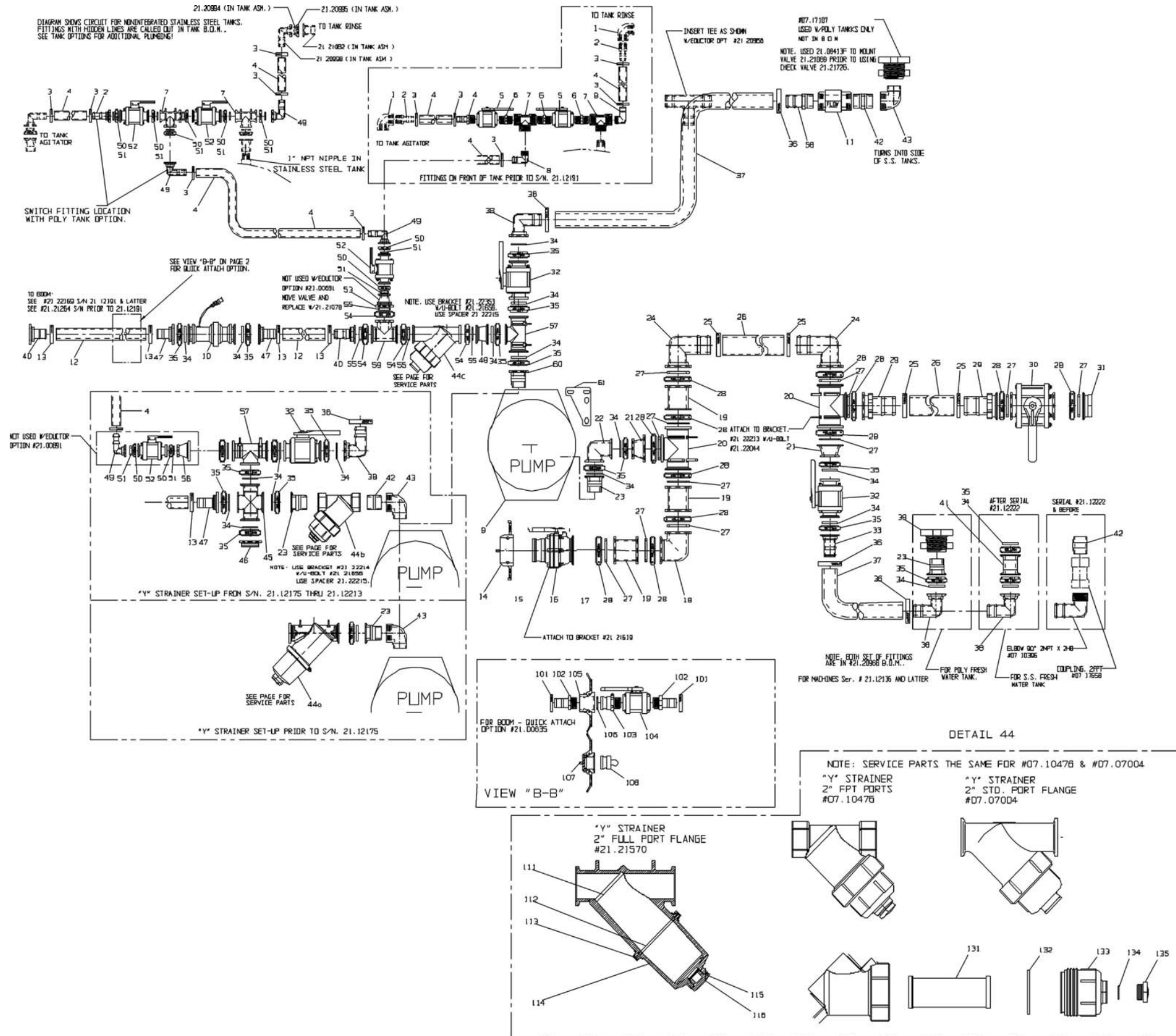


SPRAY CIRCUIT, #21.23677 FRAME (S/N 21.12460 & AFTER)

KEY	PART NO	DESCRIPTION
1	21.30528	VALVE, 3" MANIFOLD-MT STUBBY
1a	21.21627	VALVE, BALL 3" FLANGE
1b	21.21075	ELBOW, 90° FLG 3" X 3"
1c	21.21628	FITTING, SS 3" FLG X 3" MPT
1d	07.16758	BULKHEAD, 3" TANK
1e	21.23680	VALVE, BALL ELECTRIC 3" FP
2	21.21072	GASKET, EPDM 300 SERIES
3	21.21073	CLAMP, WORM 300 SERIES
4	07.07402	FITTING, 3" FLANGE X 3" HB
5	07.11693	CLAMP, BANJO SUPER 3" SS
6	07.17021	HOSE, FERT SOL 3.0"
7	21.21076	ELBOW, 90° 3" FLANGE X 3" HB
8	21.21600	COUPLING, 3" FLANGE
9	21.21074	TEE, FLANGED 3"
10	21.30529	ELBOW, 45° 3" MANIFOLD (SN 21.12460 & After)
	21.21077	ELBOW, 90° 3" MANIFOLD (SN 21.12460 & Before)
11	21.21599	REDUCER, 3" FLG X 2 FULLPORT
12	21.21068	CLAMP, WORM 220 FULL PORT
13	07.11584	GASKET, EPDM 2" FULL PORT
14	07.07110	VALVE, BALL STUBBY 2 X 2 FLG
15	07.12379	DUST CAP, 2" CAM LOCK
16	21.21001	TEE, FLANGED 2" FULL PORT
17	21.21002	ELBOW, 90° 2" FLG X 2" HB
18	07.15985	HOSE, FERT SOL 2"
19	21.21069	VALVE, BALL 2"FP FLANGE
19a	21.23682	VALVE, BALL ELCT 2" FLG W/CONN
19b	21.23726	VALVE, 2" FP ELECT N.O. (SN 21.12460 & After)
20	07.11691	CLAMP, BANJO SUPER 1.93-2.18
21	21.23649	PUMP
22	21.21570	STRAINER, "Y" 2" FULL PORT 50M (SN 21.12460 & After)
22b	21.21603	GASKET
22c	07.10696	VITON "O" RING CLEAN OUT
22d	07.10694	PLUG, 1" CLEAN OUT
22e	21.21604	END CAP
22f	21.21605	50 MESH SS SCREEN
23	07.06701	GASKET, EPDM 1-1/2"
23a	07.11584	GASKET - EPDM 2" FULL PORT
24	07.06702	CLAMP, WORM SCREW 2"
24a	21.21068	CLAMP - WORM 2" FULL PORT
25	21.21000	CROSS, FLANGES 2" STD PORT (SN 21.12459 & Before)
25a	21.21571	Cross, Flange 2" Full Port (SN 21.12459 & Up)

KEY	PART NO	DESCRIPTION
26	21.21079	FLANGE, 2" FULL PORT X 2" HB (SN 21.12460 & After)
	21.20996	PLUG, FLANGED 2" STD PORT (SN 21.12459 & Before)
27	07.07074	FITTING, 2" FLANGE X 2" HB(SN 21.12460 & After)
	07.06700	FITTING, 2" FLANGE X 1-1/2 HB (SN 21.12459 & Before)
27a	21.21631	FITTING - 2" FULL PORT FLG X 1-1/2"HB (SN 21.12459 & Before)
28	07.11691	CLAMP, BANJO SUPERIOR 2.31-2.62 (SN 21.12460 & After)
	07.07739	CLAMP, BANJO SUPER 1.81-2.06 (SN 21.12459 & Before)
29	07.10562	HOSE, EPDM 2.0" SUCT W/ WIRE (SN 21.12460 & After)
	07.10559	HOSE, EPDM 1.50 X 2BR 200 PSI (SN 21.12459 & Before)
30	21.20994	GASKET, EDPM 1"
31	21.20995	CLAMP, WORM 100 SERIES
32	07.07719	FITTING, 2" FULL PORT X 1" FLG (SN 21.12460 & After)
	21.20993	FITTING, 2" STD PORT X 1" FLG (SN 21.12459 & Before)
33	21.20992	VALVE, BALL FLANGED 1"
33a	21.23683	VALVE, BALL ELCT 1" FLG W/CONN
34	21.20998	ELBOW, 90° 1"FLG X 1" HB
35	07.11698	CLAMP, WORM #16 SS
36	07.10557	HOSE, EPDM 1.00" X 2 BR BLK
37	21.21084	TEE, FLANGED 1"
38	21.21083	FITTING, 1" FLANGED X 1" HB
39	07.07721	FLOWMETER, RFM60P 1-60 GPM
39a	07.20162	FLOWMETER - RFM100 POLY
40	07.07400	COUPLING, 2" FLANGE
40a	07.07973	COUPLING - 2" FULL PORT FLANGE
41	21.23684	CLAMP, 2-1/4 ID
41a	21.21907	CLAMP, 2-3/8 ID
42a	07.11587	GASKET - EPDM 2" FP EXTRA THICK
43	07.10342	STRAIGHT, 2" MPT X 2" HB (SN 21.12460 & After)
	21.21003	FLANGE - REDUCER 2" FP X 2" STD (SN 21.12459 & Before)
44	21.21726	VALVE, CHECK 2" FPT X 1/2PSI (SN 21.12460 & After)
45	07.10321	NIPPLE, 2" CLOSE NY (SN 21.12460 & After)
46	07.16424	ELBOW, 2" STREET 90 (SN 21.12460 & After)
47	07.07984	FITTING, SS 2" FULL PORT X 2" MPT (SN 21.12460 & After)

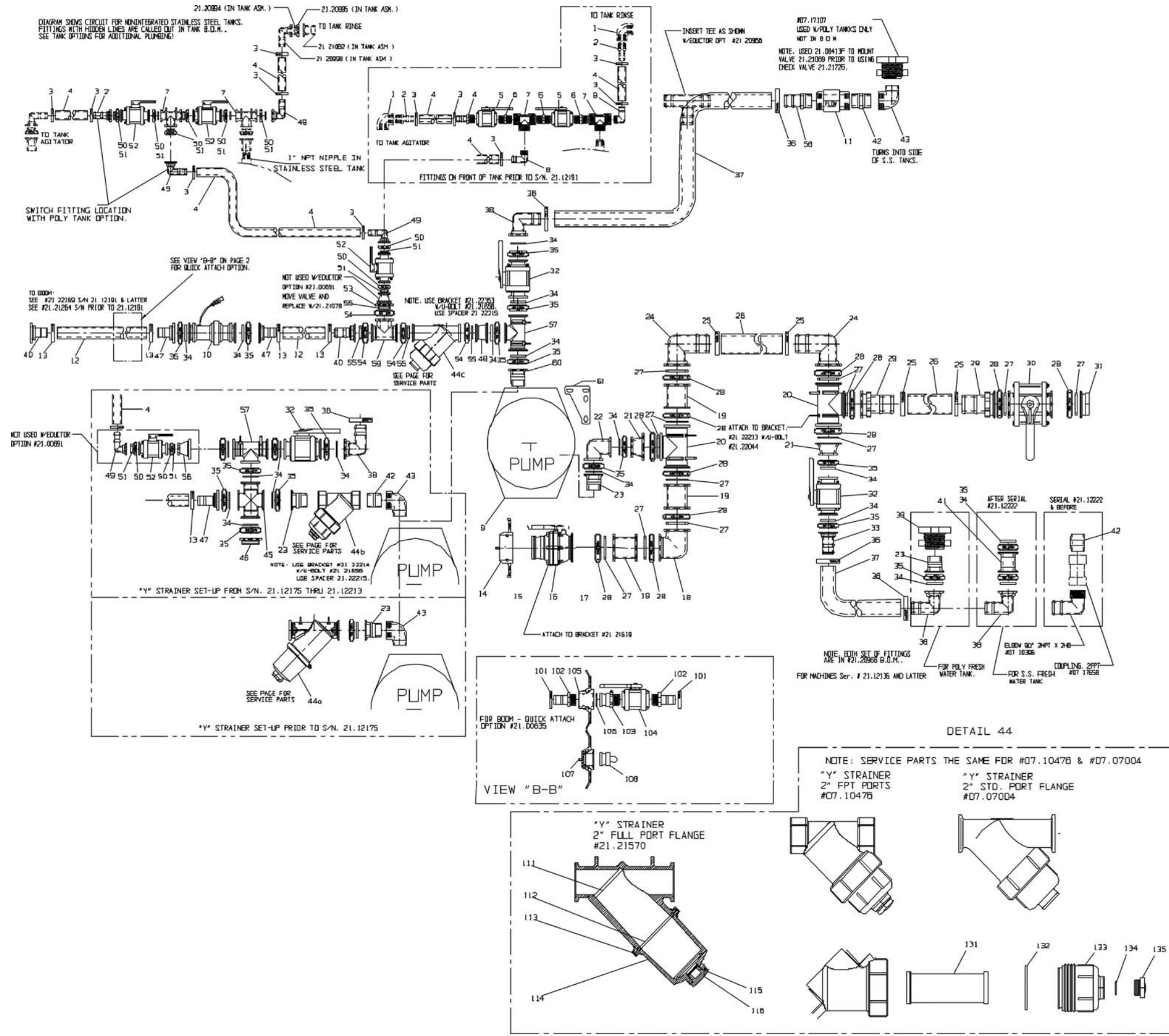
SPRAY CIRCUIT, #21.20966 SELF PRIMING PUMP (FOR S/N 21.12136 THRU 21.12459) (1 OF 2)



SPRAY CIRCUIT, #21.20966 SELF PRIMING PUMP
(FOR S/N 21.12136 THRU 21.12459) (1 OF 2)

KEY	PART NO.	DESCRIPTION	KEY	PART NO.	DESCRIPTION
1	07.16425	Elbow - 90° 1" FPT X 1" FPT	27	21.21072	Gasket, EPDM 300 Series
2	21.21083	Straight - 1" FLG X 1" HB NY	28	21.21073	Clamp, Worm 300 Series
3	07.11698	Clamp - 16 HS	29	07.07402	Connector, 3" FLG X 3" HB
4	07.10557	Hose 1" Dia.	30	21.21627	Valve, Ball 3" Flange
5	07.13373	Valve - Ball 1" Full Port	31	21.21628	Fitting, SS, 3" FLG X 3" MPT
6	07.10316	Nipple - 1" Close NY	32	21.21069	Valve, Ball 2" FP Flange
7	21.21084	Tee - 1" FLG	33	21.21079	Flange, 2" FP X 2" HB
8	07.10289	Elbow - 90° 1" MPT X 1" HB NY	34	07.11584	Gasket, 2" Full Port EPDM
9	21.20846	Pump	35	21.21068	Clamp, Worm 220 FP
10	07.20162	Flowmeter, RFM100	36	07.11691	Clamp - Banjo Super 2" SS
11	21.21726	Valve, Check 2 FPT X ½ PSI	37	07.15985	Hose, Fert Sol 2"
12	07.10559	Hose, EPDM 1.50", 200 PSI	38	21.21002	Elbow, 90° 2" FLG X 2" HB
13	07.07739	Clamp, Banjo Super 1.81 - 2.06	39	07.17107	Fitting, Bulkhead 2" FPT
14	07.12401	Dust Cap, 3" Camlock	40	07.06700	Fitting - 2" STD FLG X 1.50 HB
15	07.12354	Adpt., Male/Male 3" Thread	41	07.07973	Coupling, 2" Flange
16	21.21940	Valve, Ball 3" Stubby, Flg	42	07.10321	Nipple, 2" X Close NY
17	21.21071	Fitting, 3"Flg X 3"MPT	43	07.16424	Elbow, Street 90° 2"
18	21.21075	Elbow, 90° Flg. 3" X 3"	44	07.07004	Strainer, Poly Flange 2" Std
19	21.21600	Coupling, 3" Flange	45	21.21571	Cross, 2" FP Flange
20	21.21074	Tee, 3" Flanged	46	07.07076	Plug, 2"FLG Fullport
21	21.21599	Reducer, 3" FLG X 2" FP	47	21.21631	Fitting, 2"FP X 1-1/2"HB
22	21.21077	Elbow, 90° FLG. 2" X 2" FP	48	07.06700	Straight, 2" STD FLG X 1-1/2"HB 21.21003 Coupling, 2" FP x 2" STD
23	21.20999	Fitting - 2" FLG X 2" MPT	49	21.20998	Elbow, 90° 1"FLG X 1"HB
24	21.21076	Elbow, 90° 3" FLG X 3" HB	50	21.20995	Clamp, Worm 100 Series
25	07.11693	Clamp, Banjo Super 3.43 X 3.75	51	21.20994	Gasket, EPDM 100 Series
26	07.17021	Hose, Fert Sol 3"			

SPRAY CIRCUIT, #21.20966 SELF PRIMING PUMP (FOR S/N 21.12136 THRU 21.12459) (2 OF 2)



SPRAY CIRCUIT, #21.20966 SELF PRIMING PUMP
(FOR S/N 21.12136 THRU 21.12459) (2 OF 2)

KEY	PART NO.	DESCRIPTION
52	21.20992	Valve, Ball Flanged 1"
53	21.20993	Fitting, 2"Std FLG X 1" FLG
54	07.06702	Clamp, Worm Screw 2"
55	07.06701	Gasket, 2" STD EPDM
56	07.07719	Flange, Reducer 2"FP X 1" FLG
57	21.21001	Tee, Flanged 2" Full Port
58	07.10342	Straight, 2"MPT X 2"HB
59	07.06977	Tee, Flanged 2" STD. Port
60	07.07984	Fitting, SS 2" Full Port
61	21.22918	Bracket w/ Chem. Washer
101	07.07739	Clamp, 1.81-2.06
102	07.10329	Straight, 1-1/2" MPT x 1-1/2" HB
103	07.12344	Adapter, 1-1/2" MPT Camlock
104	07.12298	Valve, Ball 1-1/2"
105	07.12342	Coupler, 1-1/2" FPT Camlock
106	21.20322	Gasket, 5/16
107	07.12341	Dust Cap, 1.50" Camlock
108	07.12344	Dust Plug, 1.50" Camlock
111	21.21605	Screen, 50 Mesh (non current)
111a	21.21606	Screen, 80 Mesh (non current)
112	21.21603	Gasket (non current)
113	21.21607	Clamp (non current)
114	21.21604	End Cap (non current)
115	07.10696	Plug Gasket, Viton O-Ring (non current)
116	07.10694	Drain Plug (non current)
131	07.09542	50 Mesh SS Screen
	21.20941	Line Strainer Screen, 20 Mesh
	21.20781	Line Strainer Screen 80 Mesh
131b	07.09677	O-Ring For Poly Screen
132	07.10480	Line Strainer Gasket
133	07.10482	Line Strainer Cap
134	07.10696	Plug Gasket, Viton O-Ring
135	07.10694	Drain Plug

**SPRAY CIRCUIT, #21.23678 SELF PRIMING PUMP
(FOR S/N 21.12460 & AFTER)**

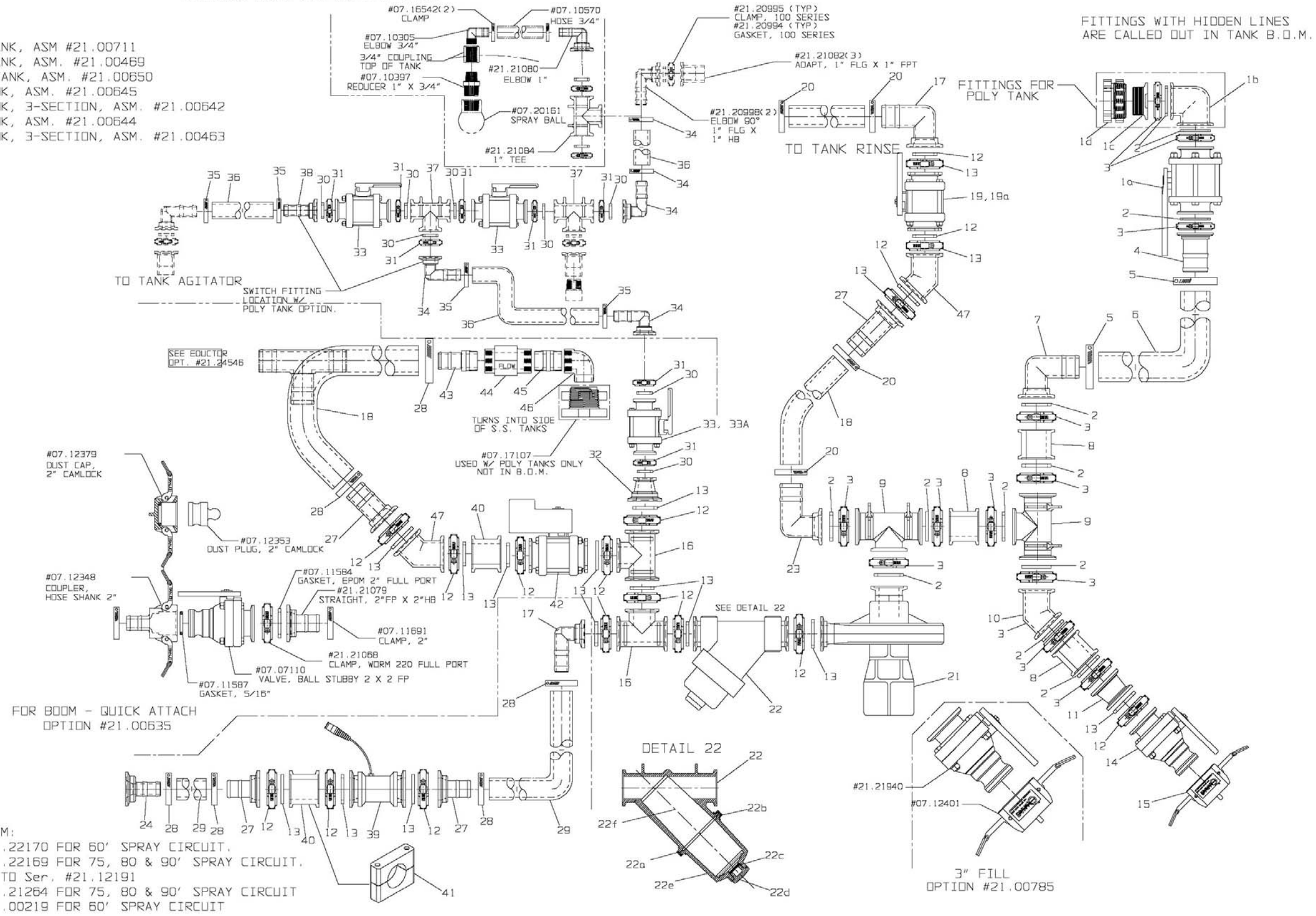
KEY	PART NO	DESCRIPTION	KEY	PART NO	DESCRIPTION
1	21.30528	VALVE, 3" MANIFOLD-MT STUBBY	23a	07.11584	GASKET - EPDM 2" FULL PORT
1a	21.21627	VALVE, BALL 3" FLANGE	23b	07.11587	GASKET - EPDM 2" FP EXTRA THICK
1b	21.21075	ELBOW, 90° FLG 3" X 3"	24	07.06702	CLAMP, WORM SCREW 2"
1c	21.21628	FITTING, SS 3" FLG X 3" MPT	24a	21.21068	CLAMP - WORM 2" FULL PORT
1d	07.16758	BULKHEAD, 3" TANK	26	21.21079	FLANGE, 2" FULL PORT X 2" HB
1e	21.2368	VALVE, BALL ELECTRIC 3" FP	27	07.07074	FITTING, 2" FLANGE X 2 HB
2	21.21072	GASKET, EPDM 300 SERIES	28	07.11691	CLAMP, BANJO SUPER 2.31-2.62
3	21.21073	CLAMP, WORM 300 SERIES	29	07.10562	HOSE, EPDM 2" SUCT W/ WIRE
4	07.07402	FITTING, 3" FLANGE X 3" HB	30	21.20994	GASKET, EPDM 1"
5	07.11693	CLAMP, BANJO SUPER 3" SS	31	21.20995	CLAMP, WORM 100 SERIES
6	07.17021	HOSE, FERT SOL 3.0"	32	07.07719	FITTING, 2" FULL PORT X 1" FLG
7	21.21076	ELBOW, 90° 3" FLANGE X 3" HB	33	21.20992	VALVE, BALL FLANGED 1"
8	21.21600	COUPLING, 3" FLANGE	33a	21.23683	VALVE, BALL ELCT 1" FLG W/CONN
9	21.21074	TEE, FLANGED 3"	34	21.20998	ELBOW, 90° 1"FLG X 1" HB
10	21.30529	ELBOW, 45° 3" MANIFOLD	35	07.11698	CLAMP, WORM #16 SS
11	21.21599	REDUCER, 3" FLG X 2 FULLPORT	36	07.10557	HOSE, EPDM 1.00" X 2 BR BLK
12	21.21068	CLAMP, WORM 220 FULL PORT	37	21.21084	TEE, FLANGED 1"
13	07.11584	GASKET, EPDM 2" FULL PORT	38	21.21083	FITTING, 1" FLANGED X 1" HB
14	07.0711	VALVE, BALL STUBBY 2 X 2 FLG	39	07.07721	FLOWMETER, RFM60P 1-60 GPM
15	07.12379	DUST CAP, 2" CAM LOCK	39a	07.20162	FLOWMETER - RFM100 POLY
16	21.30529	TEE, FLANGED 2" FULL PORT	40	07.074	COUPLING, 2" FLANGE
17	21.21002	ELBOW, 90° 2" FLG X 2" HB	40a	07.07973	COUPLING - 2" FULL PORT FLANGE
18	07.15985	HOSE, FERT SOL 2"	41	21.23684	CLAMP, 2-1/4 ID
19	21.21069	VALVE, BALL 2"FP FLANGE	41a	21.21907	CLAMP, 2-3/8 ID
19a	21.23682	VALVE, BALL ELCT 2" FLG W/CONN	42a	07.11587	GASKET - EPDM 2" FP EXTRA THICK
19b	21.23726	VALVE, 2" FP ELECT N.O.	43	07.20342	STRAIGHT, 2"MPT X 2" HB
20	07.11691	CLAMP, BANJO SUPER 1.93-2.18	44	21.21726	VALVE, CHECK 1/2# SPRING 2.00
21	21.23649	PUMP	45	07.10321	NIPPLE, 2" X CLSE NY
22	21.2157	STRAINER, "Y" 2" FULL PORT 50M	46	07.16424	ELBOW, STREET 90° 2"
22b	07.1048	GASKET, EPDM 2" FULL PORT	47	07.07984	FITTING, SS 2" FULL PORT X 2" MPT
22c	07.10696	VITON "O" RING CLEAN OUT			
22d	07.10694	PLUG, 1" CLEAN OUT			
22e	07.10482	END CAP			
22f	07.09542	50 Mesh SS Screen			
23	07.06701	GASKET, EPDM 1-1/2"			

**SPRAY CIRCUIT, #21.24368 9307 PUMP
(FOR S/N 21.12700 & AFTER)**

REF. TANK OPTIONS:

- #07.05208 750 GALLON POLY TANK, ASM. #21.00711
- #21.00893 850 GALLON POLY TANK, ASM. #21.00469
- #07.00632 1000 GALLON POLY TANK, ASM. #21.00650
- #21.22314 1000 GALLON SS TANK, ASM. #21.00645
- #21.22313 1000 GALLON SS TANK, 3-SECTION, ASM. #21.00642
- #21.22316 1200 GALLON SS TANK, ASM. #21.00644
- #21.22315 1200 GALLON SS TANK, 3-SECTION, ASM. #21.00463

PLUMBING FOR 2 COMPARTMENT TANKS



TO BOOM:
 SEE 21.22170 FOR 60' SPRAY CIRCUIT.
 SEE 21.22169 FOR 75, 80 & 90' SPRAY CIRCUIT.
 PRIOR TO Ser. #21.12191
 SEE 21.21264 FOR 75, 80 & 90' SPRAY CIRCUIT
 SEE 21.00219 FOR 60' SPRAY CIRCUIT

3" FILL
 OPTION #21.00785

FITTINGS WITH HIDDEN LINES
 ARE CALLED OUT IN TANK B.O.M.

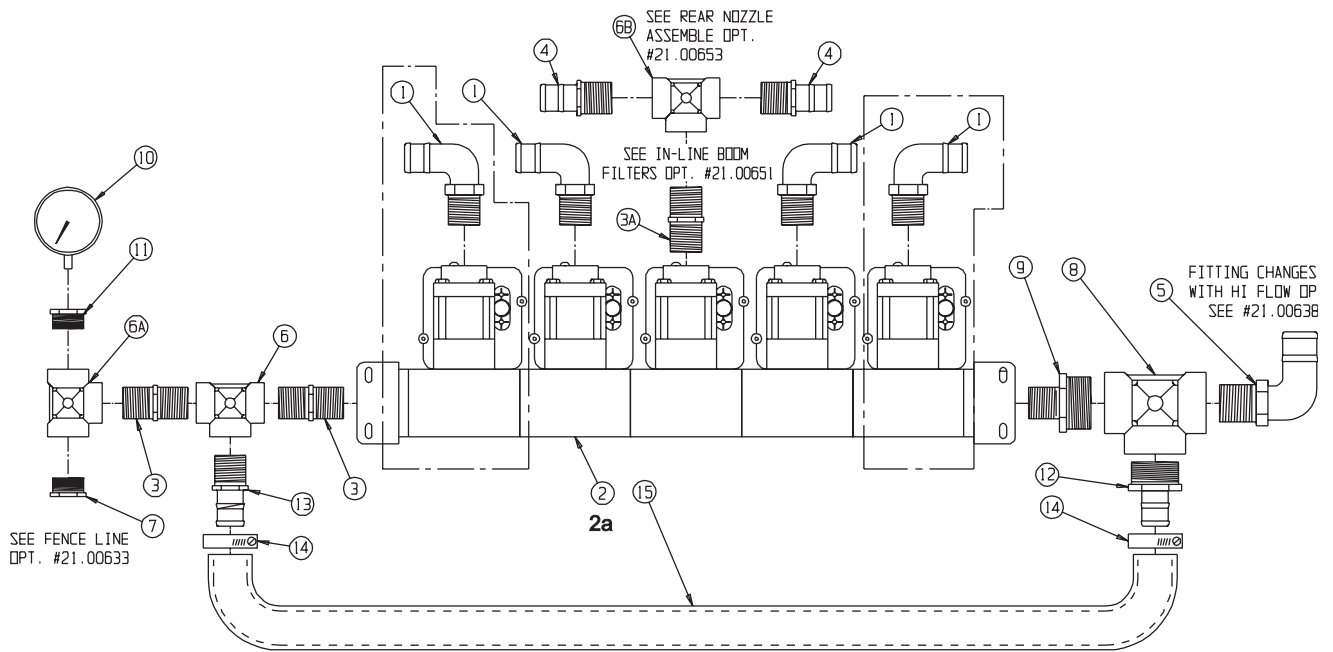
SPRAY CIRCUIT, #21.24368 9307 PUMP
(FOR S/N 21.12700 & AFTER)

KEY	PART NO	DESCRIPTION
1	21.30528	VALVE, 3" MANIFOLD-MT STUBBY
1a	21.21627	VALVE, BALL 3" FLANGE
1b	21.21075	ELBOW, 90° FLG 3" X 3"
1c	21.21628	FITTING, SS 3" FLG X 3" MPT
1d	07.16758	BULKHEAD, 3" TANK
1e	21.23680	VALVE, BALL ELECTRIC 3" FP
2	21.21072	GASKET, EPDM 300 SERIES
3	21.21073	CLAMP,WORM 300 SERIES
4	07.07402	FITTING, 3" FLANGE X 3" HB
5	07.11693	CLAMP, BANJO SUPER 3" SS
6	07.17021	HOSE, FERT SOL 3.0"
7	21.21076	ELBOW, 90° 3" FLANGE X 3" HB
8	21.21600	COUPLING, 3" FLANGE
9	21.21074	TEE, FLANGED 3"
10	07.09281	ELBOW, 45° 3" MANIFOLD
11	21.21599	REDUCER, 3" FLG X 2 FULLPORT
12	21.21068	CLAMP, WORM 220 FULL PORT
13	07.11584	GASKET, EPDM 2" FULL PORT
14	07.07110	VALVE, BALL STUBBY 2 X 2 FLG
15	07.12379	DUST CAP, 2" CAM LOCK
16	21.21001	TEE, FLANGED 2" FULL PORT
17	21.21002	ELBOW, 90° 2" FLG X 2" HB
18	07.15985	HOSE, FERT SOL 2"
19	21.21069	VALVE, BALL 2"FP FLANGE
19a	21.23682	VALVE, BALL ELCT 2" FLG W/CONN
20	07.11691	CLAMP, BANJO SUPER 1.93-2.18
21	21.23923	PUMP
22	21.21570	STRAINER, "Y" 2" FULL PORT 50M
22a	21.21607	CLAMP
22b	21.21603	GASKET
22c	07.10696	VITON "O" RING CLEAN OUT
22d	07.10694	PLUG, 1" CLEAN OUT

KEY	PART NO	DESCRIPTION
22e	21.21604	END CAP
22f	07.09542	50 MESH SS SCREEN
23	07.07987	ELBOW, 90° 3" FLANGE X 2" HB
24	07.07074	FITTING, 2" FLG X 2" HB
26	21.21077	ELBOW, 90° 2" FULL PORT
27	21.21079	FITTING, 2" FULL PORT FLG X 2" HB
28	07.11691	CLAMP, BANJO SUPER 2.31-2.62
29	07.10562	HOSE, EPDM 2.00" SUCT W/ WIRE
30	21.20994	GASKET, EDPM 1"
31	21.20995	CLAMP, WORM 100 SERIES
32	07.07719	FITTING, 2" FULL PORT X 1" FLG
33	21.20992	VALVE, BALL FLANGED 1"
33a	21.23683	VALVE, BALL ELCT 1" FLG W/CONN
34	21.20998	ELBOW, 90° 1"FLG X 1" HB
35	07.11698	CLAMP, WORM #16 SS
36	07.10557	HOSE, EPDM 1.00" X 2 BR BLK
37	21.21084	TEE, FLANGED 1"
38	21.21083	FITTING, 1" FLANGED X 1" HB
39	07.20162	FLOWMETER - RFM100 POLY
40	07.07973	COUPLING - 2" FULL PORT FLANGE
41	21.21907	CLAMP, 2-3/8 ID
42	21.23726	VALVE, 2" FP ELECT N.O.
43	07.20342	STRAIGHT, 2" MPT X 2" HB
44	21.21726	VALVE, CHECK 1/2# SPRING 2.00
45	07.10321	NIPPLE, 2" CLOSE NY
46	07.16424	ELBOW, STREET 90° 2"
47	07.07996	ELBOW, 45° 2" FULL PORT

SPRAY CIRCUIT, BOOM

#21.00219 60' BOOM, #21.00220 75', 80', & 90' BOOMS (MACHINES PRIOR TO S/N 21.12087)



(2) NOTE: See Crop Sprayer Parts And Accessories Catalog for 440 Series Ball Valve Parts.

SPRAY CIRCUIT, BOOM

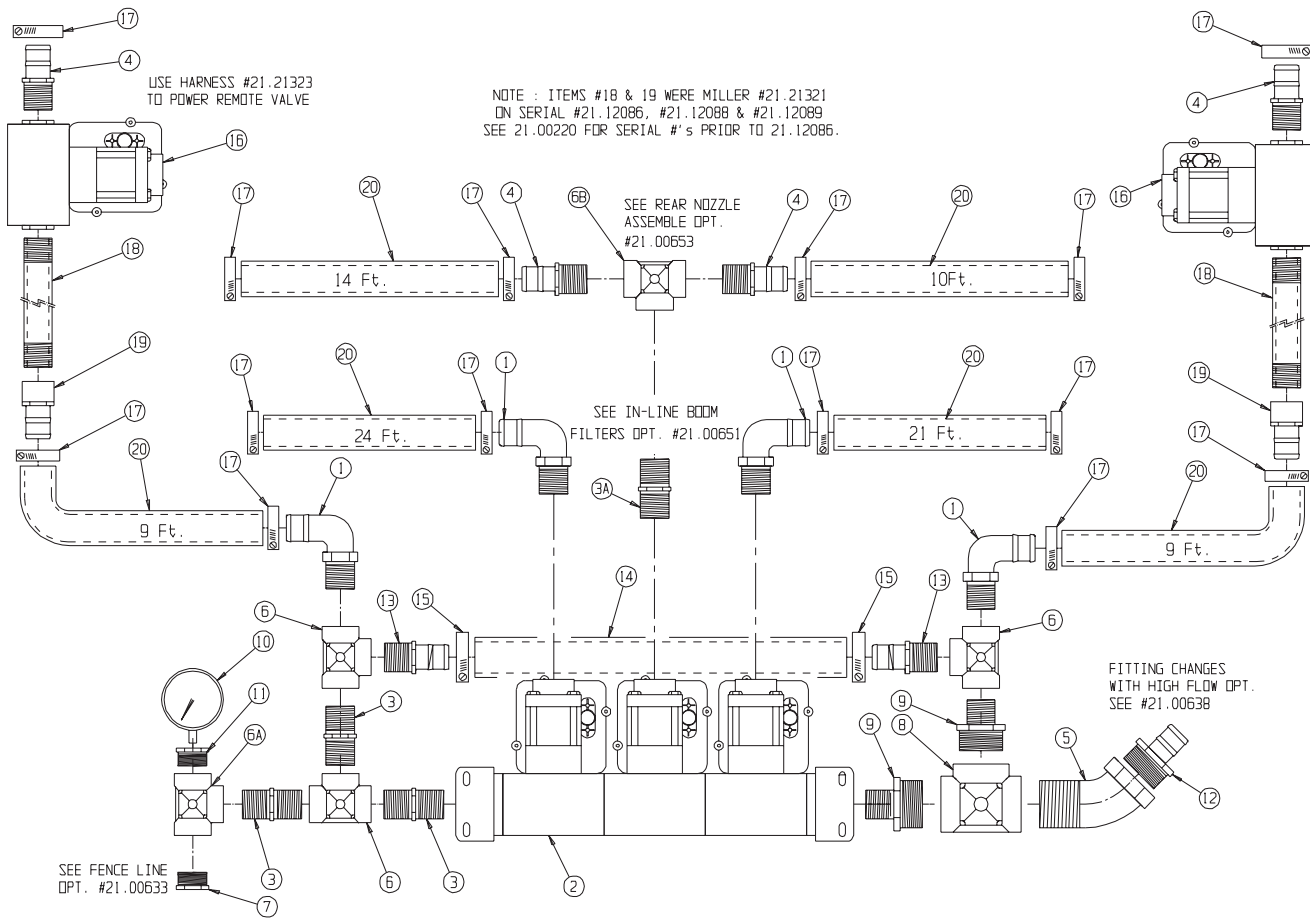
#21.00219 60' BOOM, #21.00220 75', 80', & 90' BOOMS (MACHINES PRIOR TO S/N 21.12087)

KEY	PART NO.	DESCRIPTION
1	07.10289	Elbow - 90° 1" MPT x 1" HB
2	21.00072	Manifold - 440 5 Section (75', 80', & 90') (See Note)
2a	21.00158	Manifold - 440 3 Section (See Note)
3	07.10316	Nipple - 1" Close NY
4	07.10327	Straight - 1" PT x 1" HB NY
5	07.10421	Elbow - 90° 1-1/2" MPT x 1-1/4" HB
6	07.10386	Tee - 1" FPT
7	07.10363	Hex Plug - 1" MPT
8	07.10387	Tee - 1-1/2" FPT
9	07.10400	Nipple - Reducer 1-1/2" MPT x 1" MPT
10	07.06648	Gauge - 200 PSI Liquid 4" (Was 07.16209)
11	07.16429	Bushing - 1" MPT x 1/4" FPT
12	07.13033	Straight - 1-1/2" MPT x 1-1/4" HB NY
13	07.13034	Straight - 1" MPT x 1-1/4" HB NY
14	07.10561	Hose - EPDM 1.25" x 2 BR 200 PSI
15	07.11694	Clamp - Banjo Super 1.25" SS

(2) NOTE: See Crop Sprayer Parts And Accessories Catalog for 440 Series Ball Valve Parts.

SPRAY CIRCUIT, BOOM

#21.00219 60' BOOM, #21.21264 75', 80', & 90' BOOMS (MACHINES S/N 21.12087 THROUGH #21.12190)



(2) NOTE: See Crop Sprayer Parts And Accessories Catalog for 440 Series Ball Valve Parts.

SPRAY CIRCUIT, BOOM

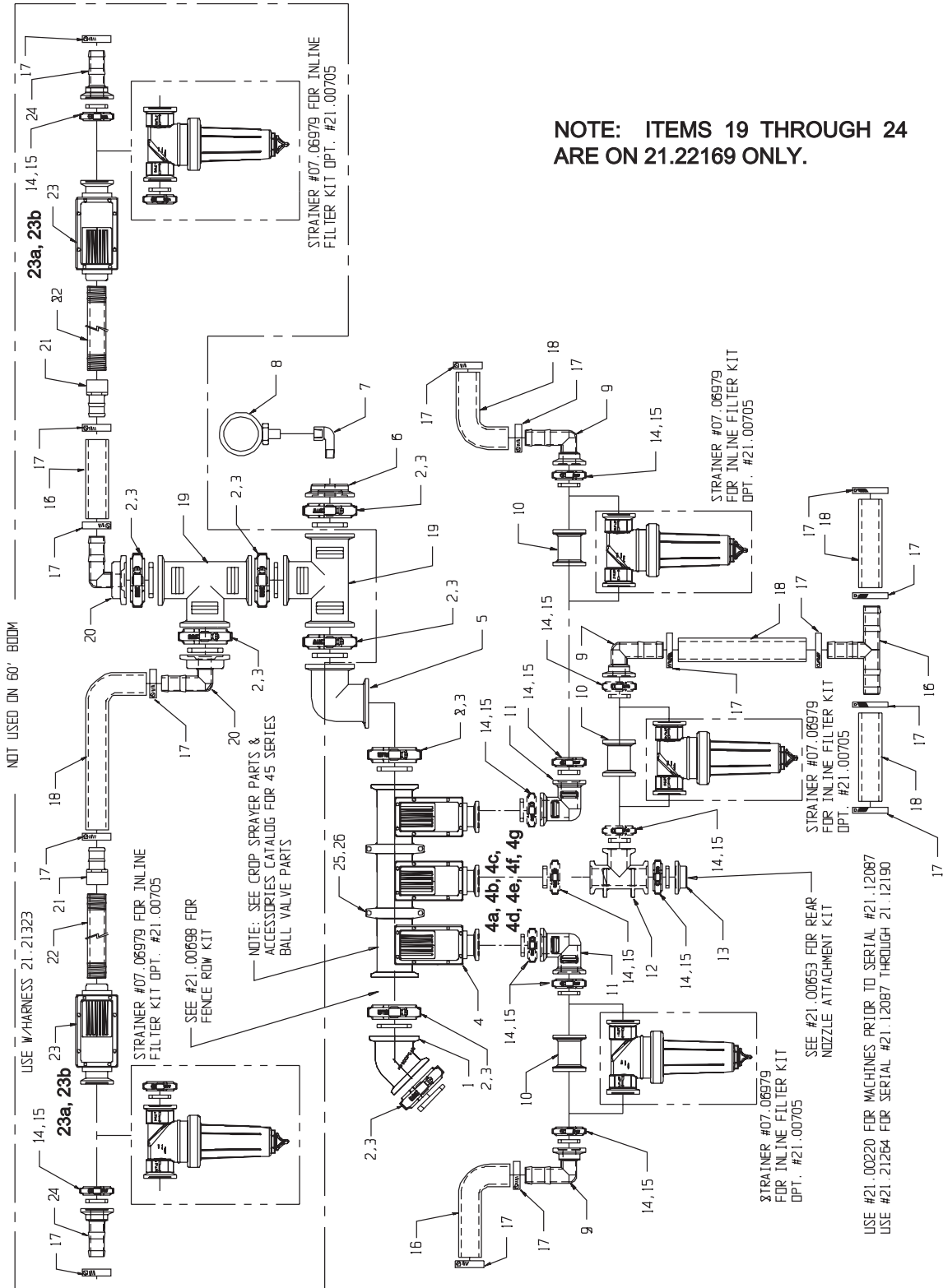
#21.00219 60' BOOM, #21.21264 75', 80', & 90' BOOMS (MACHINES 21.12087 THROUGH 21.12190)

KEY	PART NO.	DESCRIPTION
1	07.10289	Elbow - 90° 1" MPT x 1" HB
2	21.00158	Manifold - 440 3 Section (See Note)
3	07.10316	Nipple, 1" Close NY
4	07.10327	Straight - 1" PT x 1" HB NY
5	07.10358	Elbow - 45° Street 1-1/2 NPT
6	07.10386	Tee - 1" FPT
7	07.10363	Hex Plug - 1" MPT
8	07.10387	Tee - 1-1/2" NPT
9	07.10400	Nipple - Reducer 1-1/2" MPTX 1" MPT
10	07.06648	Gauge - 200 PSI Liquid 4" (Was 07.16209)
11	07.16429	Bushing - 1" MPT x 1/4" FPT
12	07.13033	Straight - 1-1/2" MPT x 1-1/4" HB NY
13	07.13034	Straight - 1" MPT x 1-1/4" HB NY
14	07.10561	Hose - EPDM 1.25" x 2 BR 200 PSI
15	07.11694	Clamp - Banjo Super 1.25" SS
16	07.20082	Valve
17	07.11698	Clamp - 16HS
18	21.21316	Boom Line x 248"
19	21.21315	Straight 1" FEMPT x 1" HB NY
20	07.10557	Hose - EPDM 1.00" x 2BR 200PSI

(2) NOTE: See Crop Sprayer Parts And Accessories Catalog for 440 Series Ball Valve Parts.

SPRAY CIRCUIT, BOOM

#21.22170 60' BOOM, #21.22169 75', 80', & 90' BOOMS (MACHINES S/N 21.12191 AND UP)



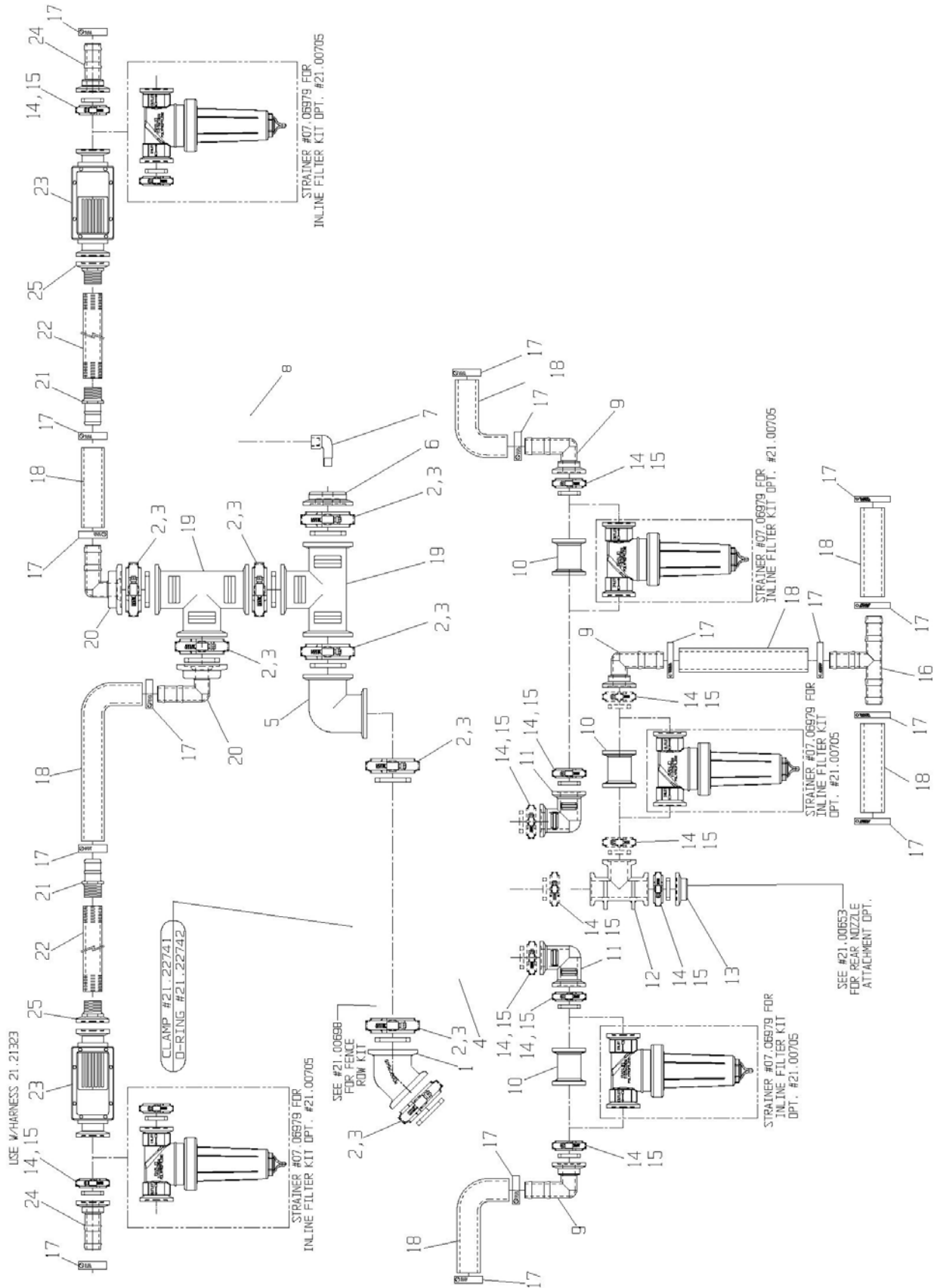
NOTE: ITEMS 19 THROUGH 24 ARE ON 21.22169 ONLY.

SPRAY CIRCUIT, BOOM

#21.22170 60' BOOM, #21.22169 75', 80', & 90' BOOMS (MACHINES S/N 21.12191 AND UP)

KEY	PART NO.	DESCRIPTION
1	21.22197	Elbow - 45D Flanged 2" STD
2	07.06702	Clamp - Worm Screw 2" STD
3	07.06701	Gasket - EPDM 1-1/2"
4	21.23175	Manifold - 450 3- Section (Was 21.22166)
4a	21.23177	Valve - Ball 1" (Use To Replace 1 Section, Motor W/ Valve)
4b	07.09262	Motor
4c	07.09263	Retaining Clip
4d	07.08661	Tee Body, #75
4e	07.08670	Mounting Rail, Aluminum
4f	07.08671	Screw, Mounting Rail
4g	07.08675	Kit, Spare Parts (Includes O-Ring & Gaskets For Ball Valve)
5	07.07114	Elbow - 90° 2x2 STD Port Flg
6	21.22198	Plug - Flanged 2" 1/4" FPT
7	32.00710	Elbow - 90° Street 1/4" SS
8	07.06648	Gauge - 200# 4" Liquid
9	21.20998	Elbow - 90° FLG X 1" HB
10	07.07972	Coupling - Manifold 1"
11	21.21081	Elbow - 90° 1 X 1 Flange
12	21.21084	Tee - Flanged 1"
13	07.07753	Plug - Flanged 1"
14	21.20995	Clamp - Worm 100 Series
15	21.20994	Gasket - EPDM 1"
16	07.13370	Tee - Hose Barb 1" NY
17	07.11698	Clamp - Worm 16HS Stainless
18	07.10557	Hose - EDPM 1.0" X 2 BR Black
19	07.06977	Tee - Flanged 2" STD Port
20	07.07495	Elbow - 90° 2" Flg X 1" HB
21	21.21315	Straight - 1" FPT X 1" HB
22	21.21316	Boomline - 1"NPT SS X 248"
23	21.23177	Valve - Ball 1"FPT IN/1" Flg Out (Was 21.22168)
23a	07.09262	Motor
23b	07.09263	Retaining Clip
24	21.21083	Fitting - 1" Flange X 1" HB
25	21.22741	Clamp, Product Manifold
26	21.22742	O-Ring, Product Manifold

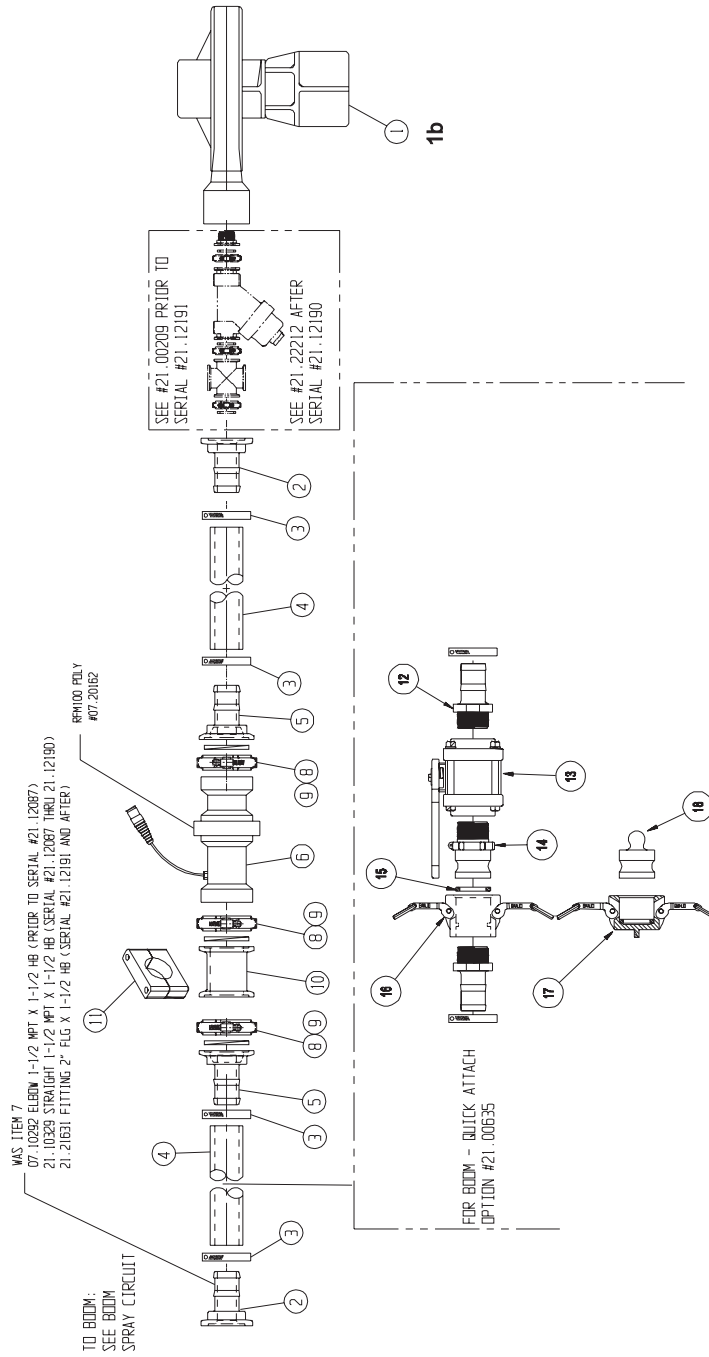
SPRAY CIRCUIT, 1.5" WETLINE



SPRAY CIRCUIT, 1.5" WETLINE

KEY	PART NO.	DESCRIPTION
1	21.22197	ELBOW - 45D FLANGED 2" STD
2	07.06702	CLAMP - WORM SCREW 2" STD
3	07.06701	GASKET - EPDM 1-1/2"
4	21.24680	MANIFOLD - 3- SECTION
5	07.07114	ELBOW - 90D 2x2 STD PORT FLG
6	21.22198	PLUG - FLANGED 2" 1/4" FPT
7	32.00710	ELBOW - 90D STREET 1/4" SS
8	07.06648	GAUGE - 200# 4" LIQUID
9	21.20991	ELBOW - 90D FLG X 1-1/4" HB
10	07.07972	COUPLING - MANIFOLD 1"
11	21.21081	ELBOW - 90D 1 X 1 FLANGE
12	21.21084	TEE - FLANGED 1"
13	07.07753	PLUG - FLANGED 1"
14	21.20995	CLAMP - WORM 100 SERIES
15	21.20994	GASKET - EPDM 1"
16	07.13369	TEE - HOSE BARB 1-1/4" NY
17	07.11613	CLAMP - WORM 20HS STAINLESS
18	07.10561	HOSE - EDPM 1-1/4" X 2 BR
19	07.06977	TEE - FLANGED 2" STD PORT
20	07.06699	ELBOW - 90D 2" FLG X 1-1/4" HB
21	07.10331	STRAIGHT - 1"MPT X 1-1/4" HB
22	21.24672	BOOMLINE - SS 1.5 X 240"
23	21.24679	VALVE - BALL 1-1/4
24	07.07992	FITTING - 1" FLANGE X 1-1/4" HB
25	07.07496	FITTING - 1" FLANGE X 1" MPT
26	21.20974	Boom Line-1.5x94.5" 4H 30" CNTR (Not Shown)
27	21.20975	Boom Line-1.5x124.5" 5H 30" CNTR (Not Shown)
28	21.23236	Boom Line-1.5x34.5" 2H 30" CNTR (Not Shown)
29	21.23238	Boom Line-1.5x64.5" 3H 30" CNTR (Not Shown)
30	21.21703	Boom Line-2x96 (Not Shown)
31	21.21704	Boom Line-2x36 (Not Shown)

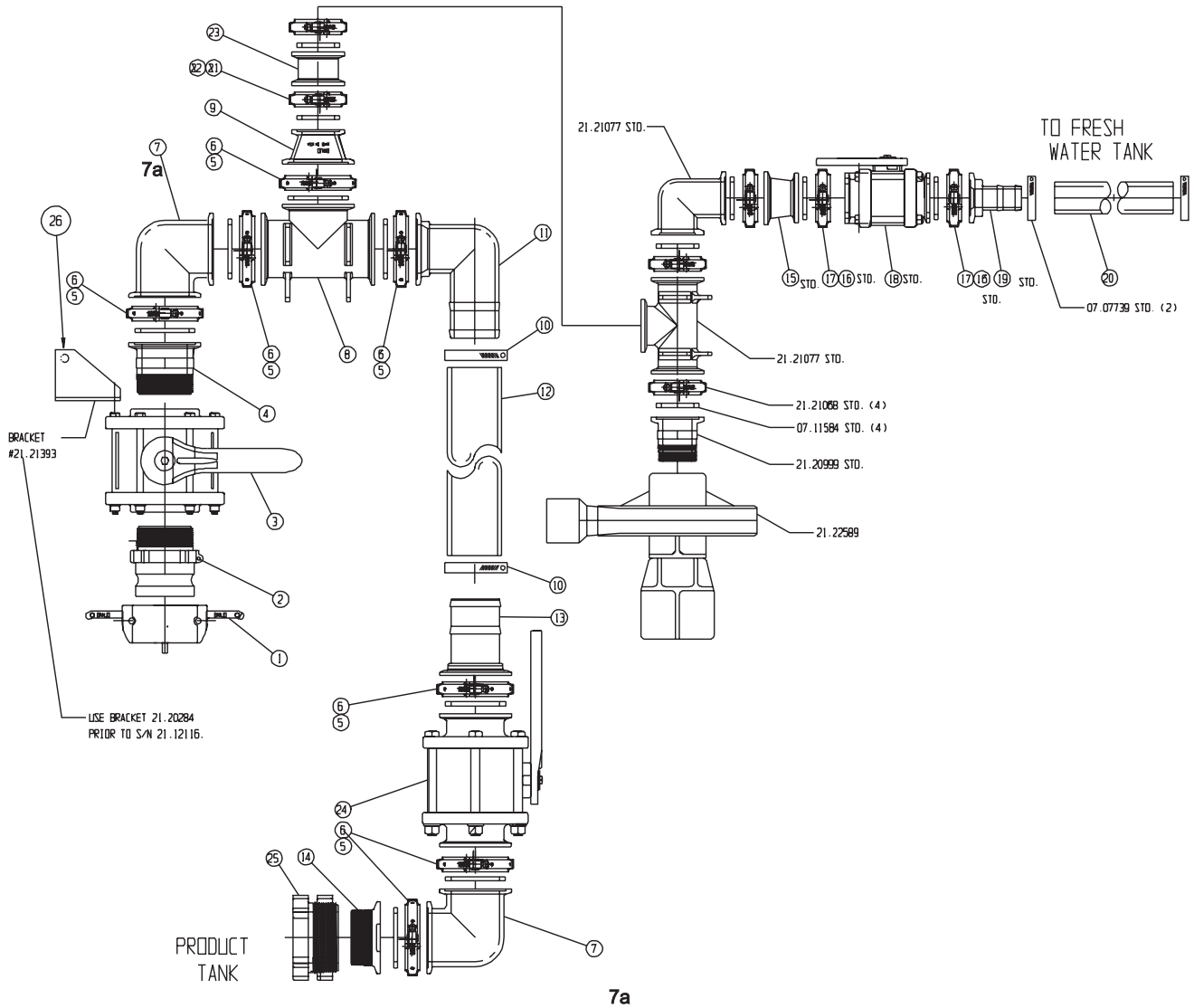
HIGH FLOW PUMP OPTION - #21.00638
HIGH FLOW PUMP OPTION #21.00675 FIELD INSTALLED
(FOR MACHINES PRIOR TO S/N 21.12460)
(SEE SPRAY CIRCUIT 21.23677 FOR CURRENT PRODUCTION)



HIGH FLOW PUMP OPTION - #21.00638
HIGH FLOW PUMP OPTION #21.00675 FIELD INSTALLED
 (FOR MACHINES PRIOR TO S/N 21.12460)
 (SEE SPRAY CIRCUIT 21.23677 FOR CURRENT PRODUCTION)

KEY	PART NO.	DESCRIPTION
1	21.22589	Pump - Hypro 9306C-HM5C (S/N 21.12223 And After) Note: S/N 21.12229 has 21.00177
1b	21.00177	Pump - Hypro 9305C-HMS Hyd Drv (Prior to S/N 21.12223 & 21.12229)
2	07.06700	Fitting - 2" Std. FLG X 1-1/2" HB
3	07.07739	Clamp - Banjo Super 1.81 - 2.06
4	07.10559	Hose EPDM 1.50 X 2BR 200 PSI
5	21.21631	Fitting - 2" Full Port FLG X 1-1/2"HB
6	07.20162	Flowmeter - RFM100 Poly
7	07.06700	Fitting - 2" Flg x 1-1/2" HB
8	21.21068	Clamp - Worm 2" Full Port
9	07.11587	Gasket - EPDM 2" Full Port Extra Thick
10	07.07973	Coupling - 2" Full Port Flange
11	21.21907	Clamp - 2-3/8 ID
12	07.10329	Straight - 1-1/2PT x 1-1/2HB
13	07.12298	Valve - Ball 1-1/2
14	07.12344	Adapter - 1-1/2MPT Camlock
15	21.20322	Gasket - 5/16
16	07.12342	Coupler - 1-1/2FPT Camlock
17	07.12341	Dust Cap - 1.50" Camlock
18	07.12345	Dust Plug - 1.50" Camlock

3" QUICK FILL
 SS TANK - #21.00634 (FIELD INSTALLED #21.00676),
 POLY TANK - #21.00670 (FIELD INSTALLED #21.00677)
 (FOR MACHINES PRIOR TO S/N 21.12460)
 (SEE SPRAY CIRCUIT 21.23677 FOR CURRENT PRODUCTION)



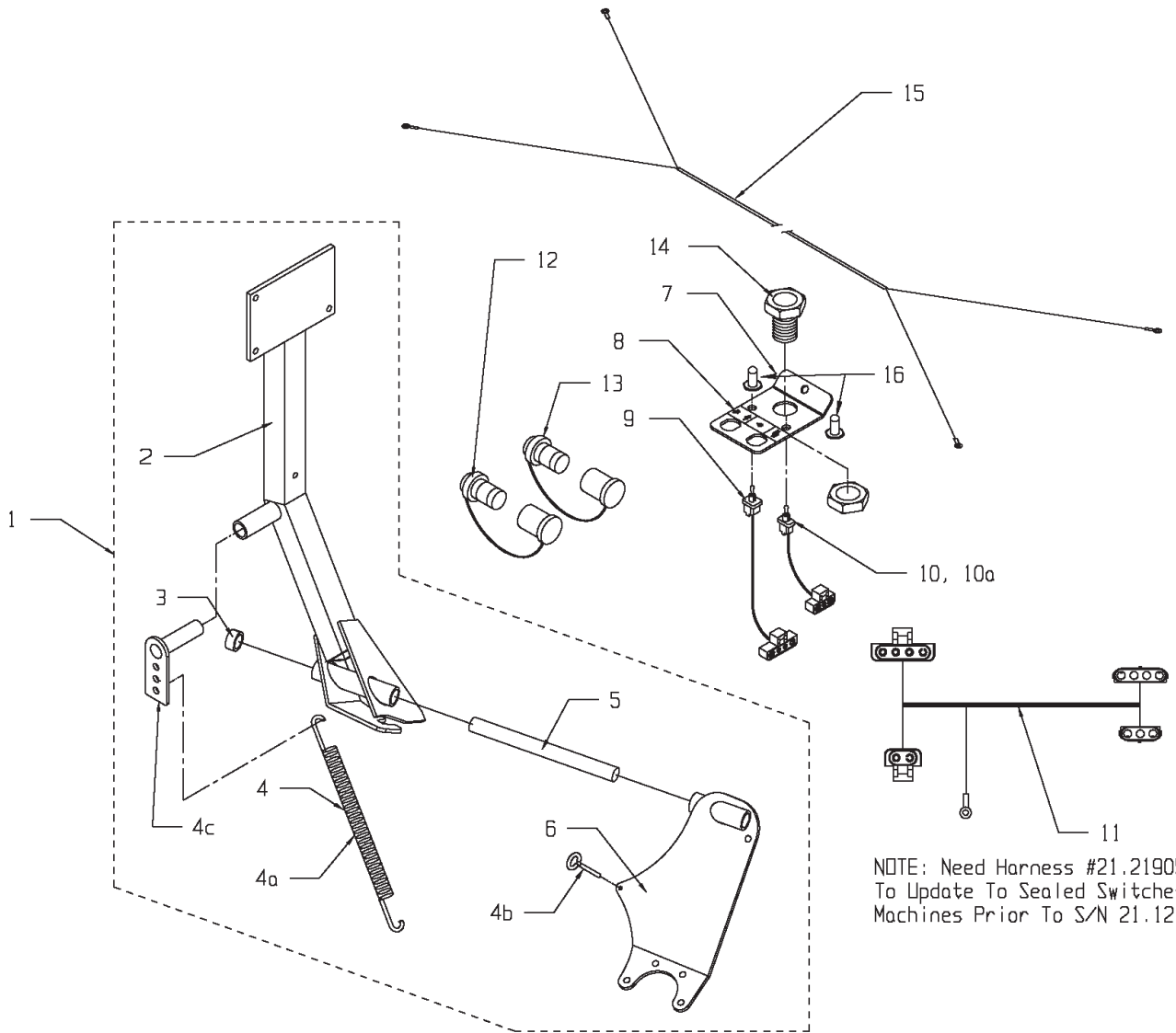
3" QUICK FILL

SS TANK - #21.00634 (FIELD INSTALLED #21.00676),
 POLY TANK - #21.00670 (FIELD INSTALLED #21.00677)

(FOR MACHINES PRIOR TO S/N 21.12460)
 (SEE SPRAY CIRCUIT 21.23677 FOR CURRENT PRODUCTION)

KEY	PART NO.	DESCRIPTION
1	07.12401	Dust Cap - 3" Camlock
2	07.12354	Adapter - Male/Male 3" Thread Camlock
3	07.12299	Valve - Ball 3" NPT Full Port
4	21.21071	Fitting - Manifold 3" Flange x 3" MPT
5	21.21072	Gasket - EPDM 300 Series
6	21.21073	Clamp - Worm 300 Series
7	21.21075	Elbow - 90° Flange 3" x 3"
7a	21.21075	Elbow - 90° Flange 3" x 3" (07.15320 Prior to S/N 21.21071)
8	21.21074	Tee - Flanged 3"
9	21.21599	Coupling - Reducer 3" Flange X 2" Full Port (Was 21.21070)
10	07.11693	Clamp - Banjo Super 3" SS
11	21.21076	Elbow - 90° 3" Flange x 3" HB
12	07.17021	Hose - Fert Sol 3.0"
13	07.07402	Fitting - 3" Flange X 3" HB (Was 07.15306)
14	21.21628	Fitting - SS 3" Flange X 3" MPT (Was 21.21227)
15	21.21003	Flange - Reducer 2" Full x 2' STD
16	07.06701	Gasket - EPDM 2"
17	07.06702	Clamp - 2" Worm Screw
18	07.06697	Valve - Ball 2" Flange x 2" Flange Port
19	07.06700	Fitting - 2" Flange x 1-1/2" HB
20	07.15733	Hose - Fert Sol 1.50"
21	21.21068	Clamp - 2" Full Port Worm Screw
22	07.11584	Gasket - 2" Full Port EPDM
23	07.07973	Coupling - 2" Flange Full Port
24	21.21627	Valve - Ball 3" Flange
25	07.16758	Bulkhead 3" Tank
26	21.21393	Bracket (21.20284 Prior to S/N 21.12116)

EDUCTOR KIT OPTIONAL



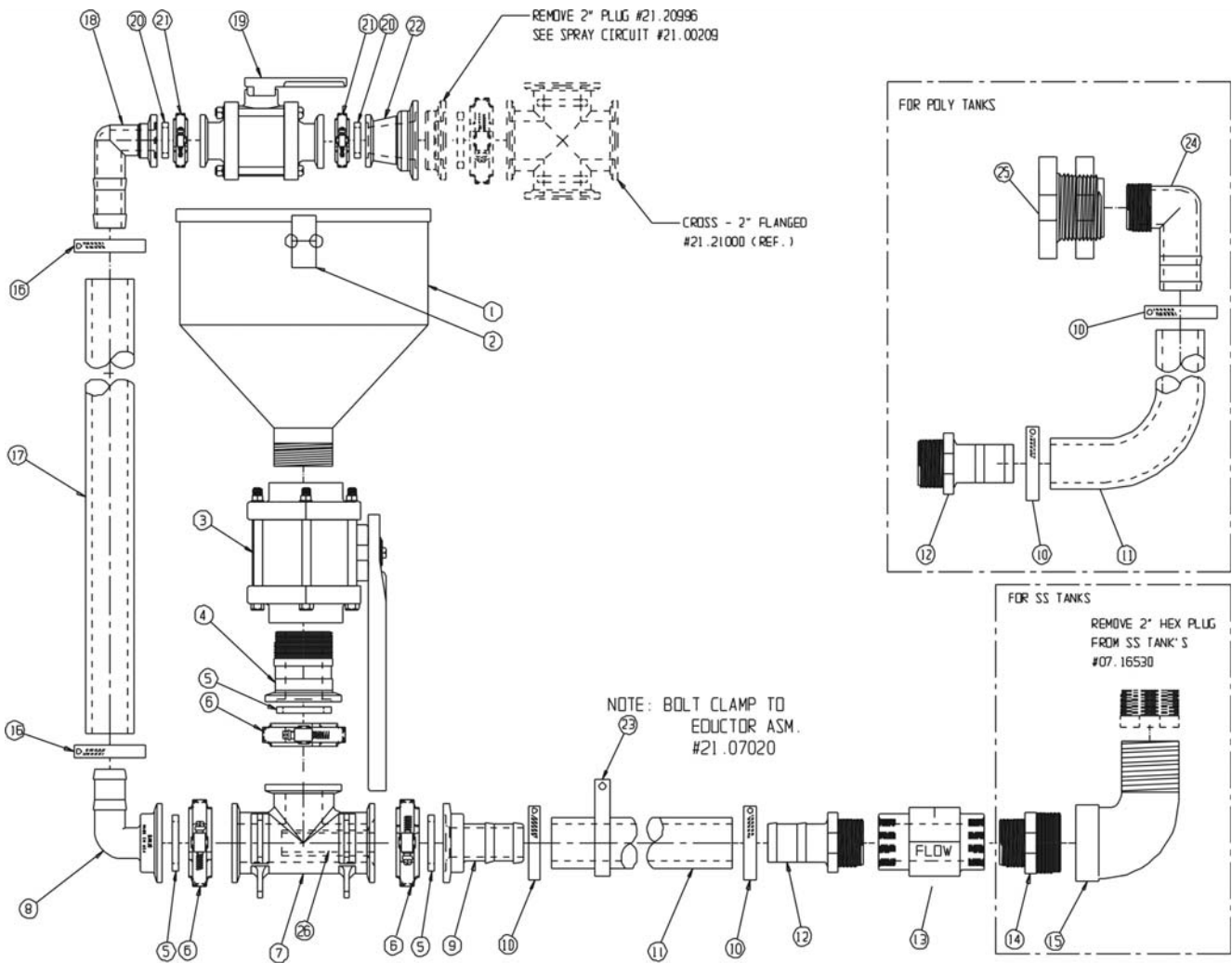
NOTE: Need Harness #21.21905
To Update To Sealed Switches On
Machines Prior To S/N 21.12100

EDUCTOR KIT OPTIONAL**SERVICE COMPONENTS**

KEY	PART NO.	DESCRIPTION
1	21.07020	Assembly
2	21.23384	Eductor Base Weldment (Was 21.07000 Prior TO S/N 21.12429)
3	21.07011	Collar, Eductor
4	32.02372	Spring
4a	21.25014	Heavy Spring
4b	21.25281	SS Eyebolt 3/8-16 x 6 3/8
4c	21.25044	Eductor Spring Bracket
5	21.07012	Shaft, Eductor
6	21.07015	Eductor Valve Weldment
6a	21.00341	P Clamp
7	21.20791	Plate, Switch Remote Throttle
8	21.07014	Decal, Remote Throttle & Pump
9	21.20793	Switch, DPDT, Remote Throttle
9a	21.00147	Switch, DPDT, Remote Throttle (S/N 21.12100 & Up) (Prior to S/N 21.12100)
10	21.20794	Switch, SPDT, Remote Pump
10a	21.00148	Switch, SPDT, Remote Pump (S/N 21.12100 & Up) (Prior to 21.12100)
11	21.21905	Harness, Remote Throttle & Pump (Was 21.00106)
12	21.20801	Terminal - Remote Battery (-)
13	21.20802	Terminal - Remote Battery (+)
14	21.20792	Bulkhead Fitting, ½ Poly
15	21.20804	Harness, Remote Battery Terminal
16	21.00825	Boot, Gray

EDUCTOR OPTION

#21.00640 (FOR SS TANK), #21.00669 (FOR POLY TANK) PRIOR TO SN 21.12657,
#21.21824 (EDUCTOR-SS FIELD INSTALLED)



EDUCTOR OPTION

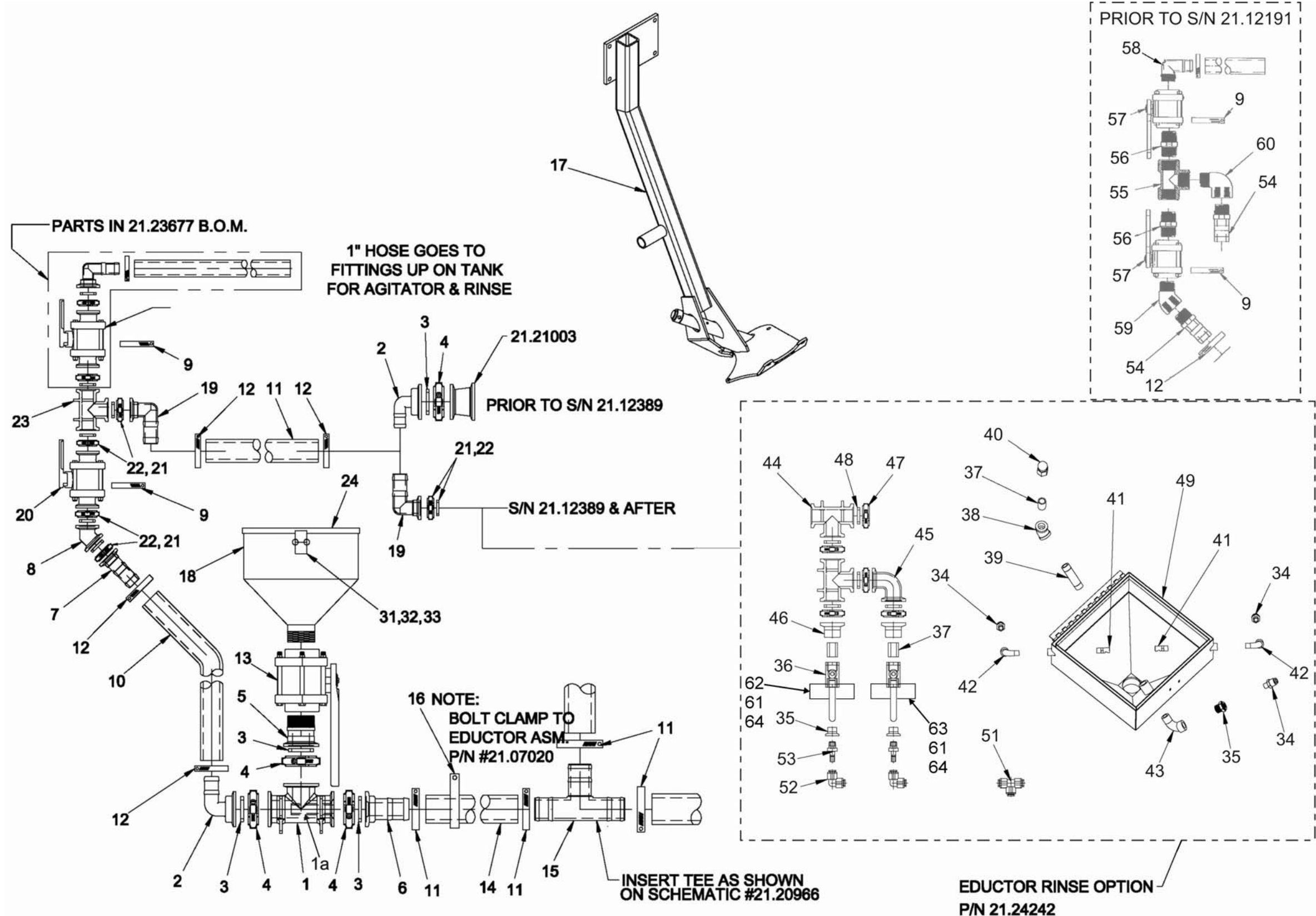
#21.00640 (FOR SS TANK), #21.00669 (FOR POLY TANK) PRIOR TO SN 21.12657,
#21.21824 (EDUCTOR-SS FIELD INSTALLED)

KEY	PART NO.	DESCRIPTION
1	21.07030	Eductor - Nitro (SS)
2	907402	Latch
3	07.15692	Valve - Ball 2" NPT Full Port
4	07.07003	Fitting - Manifold 2" Flg x 2" MPT
5	07.06701	Gasket - EPDM 2"
6	07.06702	Clamp - 2" Worm Screw
7	07.06698	Tee - Manifold 2" w/ 3/4" Induc
8	07.06699	Elbow - 90° 2" Flg x 1-1/4" HB
9	07.06700	Fitting - 2" Flg x 1-1/2" HB
10	07.07739	Clamp -Banjo Super 1.81-2.06 (Was 07.11690)
11	07.15733	Hose - Fert Sol 1.50" Diameter
12	07.10329	Straight - 1-1/2" MPT x 1-1/2" HB NY
13	07.06681	Valve -Check 1-1/2 FPT, 1/2 PSI (Was 07.12298)
14	07.10269	Nipple - Reducer 2" x 1-1/2"
15	07.16424	Elbow - Street 90° 2"
16	07.11694	Clamp Banjo Super 1.62-1.87 (Was 07.11699)
17	07.10561	Hose - EPDM 1.25" x 2 BR 200 PSI
18	21.20991	Elbow - 90° 1" Flg x 1-1/4" HB
19	21.20992	Valve - Ball Flanged 1" x 1"
20	21.20994	Gasket - EDPM 100 Series
21	21.20995	Clamp - Worm 100 Series
22	21.20993	Reducer - 2" Flg x 1" Flg
23	21.00341	Clamp - Vinyl 2.65" Diameter
24	07.10292	Elbow - 90° 1-1/2" MPT x 1-1/2" HB
25	07.17406	Fitting - Bulkhead 1-1/2" FPT"
26	07.06872	Venturi - 1" Flange 3/4HB

EDUCATOR OPTION 21.24546 - SELF PRIMING PUMP

OPT #21.00691

BETWEEN SN 21.12657 & 21.12191

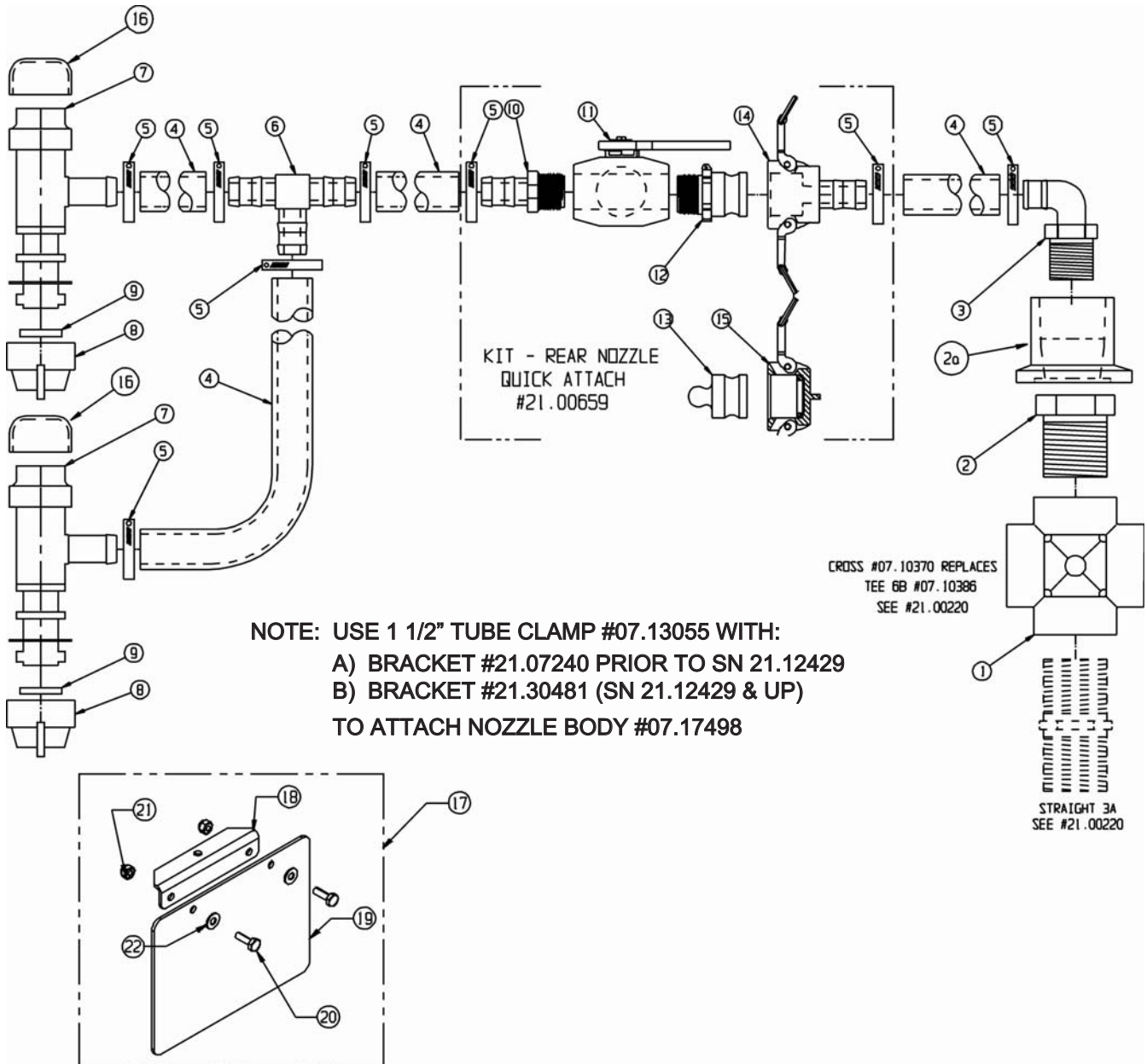


EDUCATOR OPTION 21.24546
SELF PRIMING PUMP
 OPT #21.00691
 BETWEEN SN 21.12657 & 21.12191

KEY	PART NO.	DESCRIPTION
1	07.06698	TEE - MANIFOLD 2" W/3/4" INDUC
1a	07.06872	VENTURI - 1" FLANGE 3/4HB
2	07.06699	ELBOW - 90D 2"FLG X 1-1/4" HB
3	07.06701	GASKET - EPDM 1-1/2" STD
4	07.06702	CLAMP - WORM SCREW 2"
5	07.07003	FITTING - MANIFOLD 2"FLGX2"MPT
6	07.07074	FITTING - FLANGE 2 STD X 2 HB
7	07.07992	FITTING - FLANGED 1" X 1-1/4HB
8	07.07995	ELBOW - 45D FLANGED 1"
9	07.08477	CLAMP - WORM 4.5 X 5.44 DIA
10	07.10561	HOSE - EPDM 1.25"X2BR 200PSI
11	07.11691	CLAMP - BANJO SUPER 2.31-2.62
12	07.11694	CLAMP - BANJO SUPER 1.62-1.87
13	07.15692	VALVE - BALL 2" NPT FULL PORT
14	07.15985	HOSE - FERT SOL 2.0" SPIRALITE 2000
15	07.17417	TEE - HOSE BARB 2" POLYPRO
16	21.00341	CLAMP - VINYL 2.65" DIA
17	21.07020	EDUCTOR BRKT ASM
18	21.07030	EDUCTOR - NITRO (SS)
19	21.20991	ELBOW - 90D 1FLG X 1-1/4HB
20	21.20992	VALVE - BALL FLANGED 1" X 1"
21	21.20994	GASKET - EDPM 1"
22	21.20995	CLAMP - WORM 100 SERIES
23	21.21084	TEE - FLANGED 1"
24	21.24545	DECAL, VALVE POSITION GUIDE
28	907376	HHDBLT - SS 3/8-16 X 1-1/2
29	907380	WASHER - SS FLAT 3/8"
30	907391	HHDNUT - SS NYLOK 3/8-16
31	907402	LATCH - OVERCENTER HOOKTYPE SS
32	907403	SCREW - SS PNHD #10-32 X 3/8
33	907404	HHDNUT - SS #10-32
34	32.01482	Push-loc 1/4"NPT X 3/8 hose
35	07.16048	Bushing - 1/2" X 1/4" pipe
36	32.01233	Valve - 1/2" SS ball
37	32.00687	Nipple - 1/2" SS close
38	32.04371	Elbow - 1/2" SS 45
39	32.04372	Nipple - 1/2" SS long
40	32.04368	Nozzle - rinse ball
41	07.06852	Nozzle - SS 1/4"
42	32.00710	Elbow - 1/4" SS street
43	32.00708	Elbow - 1/2" SS street
44	21.21084	Tee, Flanged 1" - 100M
45	21.21081	Elbow, 90D 1x1" Flange 100M

KEY	PART NO.	DESCRIPTION
46	07.07974	Fitting, 1" Flange 1/2" FPT
47	21.20995	Clamp - 100M
48	21.20994	Gasket - 100M
49	32.04318	Basin - Eductor
50	11.80529	Line - 3/8" Nylon
51	32.01484	Tee, Air Union 3/8"
52	32.01486	Elbow, Air Union 3/8"
53	32.01491	Stem - Tube 3/8" Air Male
54	07.13034	Straight 1" PT x 1-1/4" HB (SN 21.12191 & Before)
55	07.10386	Tee, 1" FPT (SN 21.12191 & Before)
56	07.10316	Nipple, 1" Close (SN 21.12191 & Before)
57	07.13373	Valve, Ball, 1" NPT (SN 21.12191 & Before)
58	07.10289	Elbow, 90° 1" MPT x 1" HB (SN 21.12191 & Before)
59	07.10424	Elbow, Street 45° 1" (SN 21.12191 & Before)
60	07.13371	Elbow, Street 90° 1" (SN 21.12191 & Before)
61	21.24687	Mounting Plate, Valve Decal
62	21.24688	Decal, Jug Rinse Valve
63	21.24689	Decal, Educator Rinse Valve
64	907770	Screw, #10-24 x 1/4 Pan Hd SS

REAR NOZZLE ATTACHMENT OPTION
#21.00653, #21.00683 FIELD INSTALLED



REAR NOZZLE ATTACHMENT OPTION

#21.00653, 21.00683 FIELD INSTALLED

STANDARD PARTS

KEY	PART NO.	DESCRIPTION
1	07.10370	Cross - Female 1" FPT Poly (Used Prior to S/N 21.12191)
2	07.17402	Bushing - 1" MPT x 1/2" FPT (Used Prior to S/N 21.12191)
2a	07.07974	Fitting, 1" Flange x 1/2 FRT
3	07.10295	Elbow - 90° 1/2" MPT x 1/2" HB
4	07.10565	Hose EPDM .50" x 2 BR
5	07.13739	Clamp - .312" x .875" Diameter
6	07.10395	Tee - Hose Barb 1/2" NY
7	07.17498	Nozzle Body - QJ300 1/2" HB
8	07.13051	Cap - CP25611-3-NY-Red
9	07.15790	Gasket - Cap EPDM
16	21.21411	Cap - Rear Nozzle Diaphragm
17	21.00759	Kit, Rear Nozzle Flap
18	21.23205	Bracket, Rear Nozzle Flap
19	21.23206	Flap, Rear Nozzle
20	907270	HHDBLT SS 1/4-20 x 3/4
21	907389	HHDNUT SS 1/4-20 Nylock
22	907234	Washer SS 1/4 Flat

PARTS WITH QUICK ATTACH

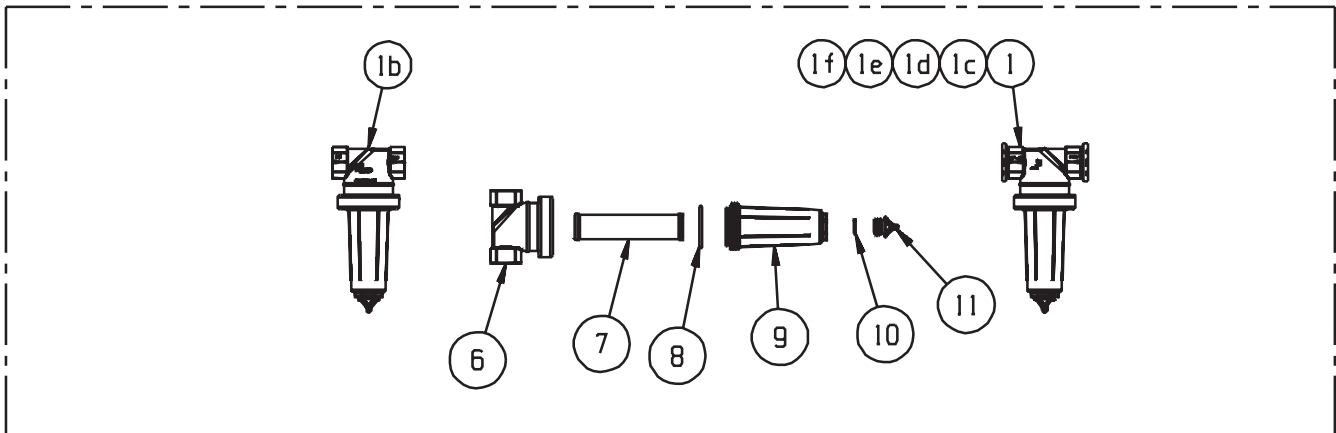
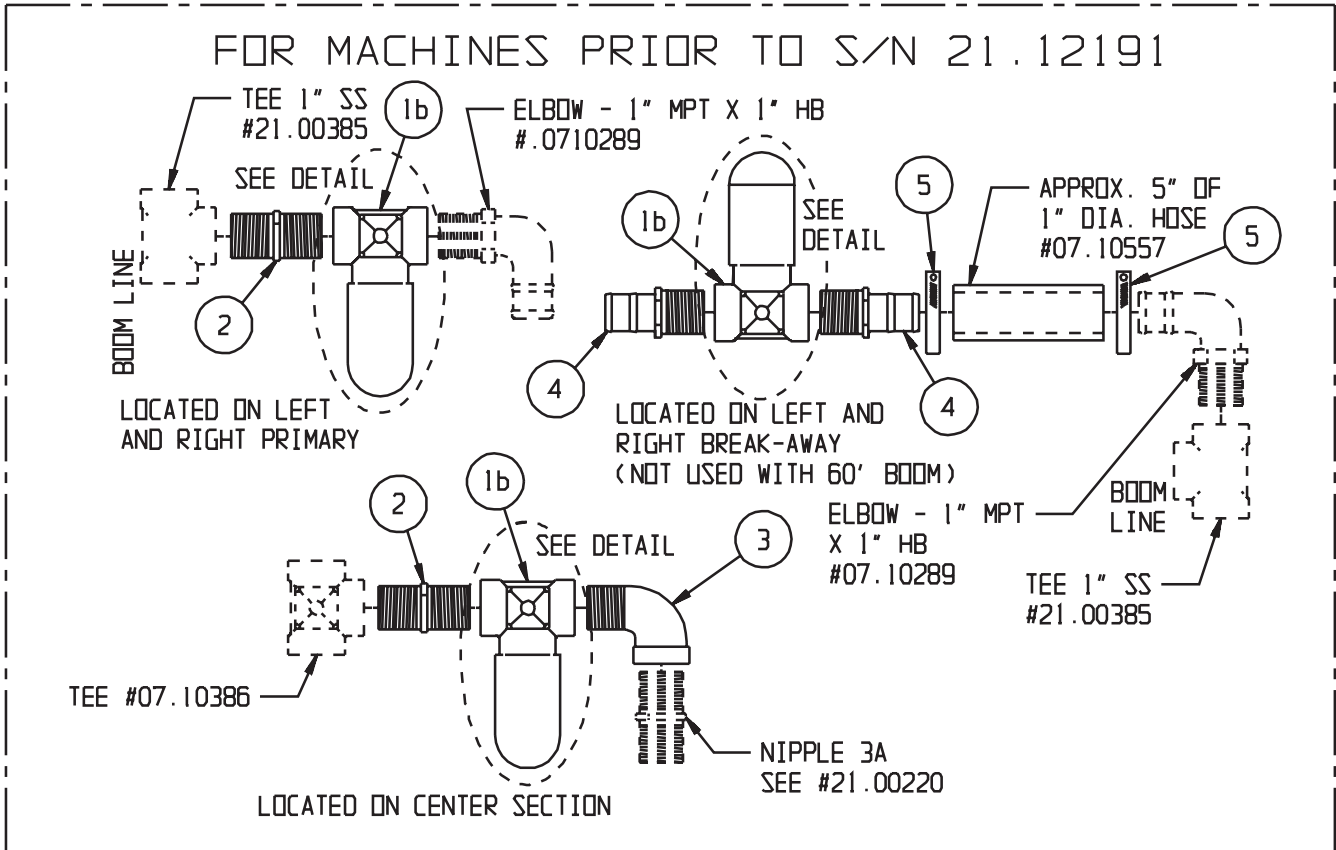
KEY	PART NO.	DESCRIPTION
5	07.13739	Clamp - .312" x .875" Diameter
10	07.10333	Straight - 1/2 PT x 1/2 HB NY
11	07.10607	Valve - Ball Nylon 1/2" MC
12	07.13379	Adapter - Male/Male .50" THRD
13	07.12323	Dust Plug - .50" - .75" Camlock
14	07.13377	Coupler - FM/Hose Barb .50"
15	07.12319	Dust Cap - .50 - .75" Camlock

IN-LINE FILTER OPTION

#21.00651 PRIOR TO S/N 21.12191

#21.00705 FACTORY INSTALLED, AFTER S/N 21.12190 (SEE SPRAY CIRCUIT BOOM)

#21.00706 FIELD INSTALLED, AFTER S/N 21.12190 (SEE SPRAY CIRCUIT BOOM)



IN-LINE FILTER OPTION

#21.00651 PRIOR TO S/N 21.12191

#21.00705 FACTORY INSTALLED, AFTER S/N 21.12190 (SEE SPRAY CIRCUIT BOOM)

#21.00706 FIELD INSTALLED, AFTER S/N 21.12190 (SEE SPRAY CIRCUIT BOOM)

KEY	PART NO.	DESCRIPTION
1	07.06979	Strainer - Banjo T 1" Flange 50 Mesh (S/N 21.12191 & After)
1b	07.10645	Strainer - Banjo T 1" Pipe 50 Mesh (Prior to S/N 21.12191)
1c	07.08064	Strainer - Banjo T 1" Flange 16 Mesh (Opt)
1d	07.08005	Strainer - Banjo T 1" Flange 30 Mesh (Opt)
1e	07.08007	Strainer - Banjo T 1" Flange 100 Mesh (Opt)
1f	07.08006	Strainer - Banjo T 1" Flange 80 Mesh (Opt)
2	07.10316	Nipple - 1" Close NY
3	07.13371	Elbow - Street 90° 1"
4	07.10327	Straight - 1" PT x 1" HB NY
5	07.11698	Clamp - .687" - 1.50" Diameter 16 HS
6	07.10677	1" Poly "T" Strainer Head (Pipe) (Prior to S/N 21.12191)
7	07.10683	30 Mesh Screen (Fits ¾" and 1" "T" Strainer)
	07.17475	50 Mesh Screen (Fits ¾" and 1" "T" Strainer)
	07.10682	80 Mesh Screen (Fits ¾" and 1" "T" Strainer)
	07.06654	100 Mesh Screen (fits ¾" and 1" Strainer)
8	07.10680	Poly "T" Strainer Gasket - Viton (Fits ¾" and 1")
9	07.10670	Poly 1" Strainer Bowl (Fits ¾" and 1')
10	07.10695	O-Ring for Clean-Out Plug (EPDM)
11	07.10693	Clean-Out Plug - ½"

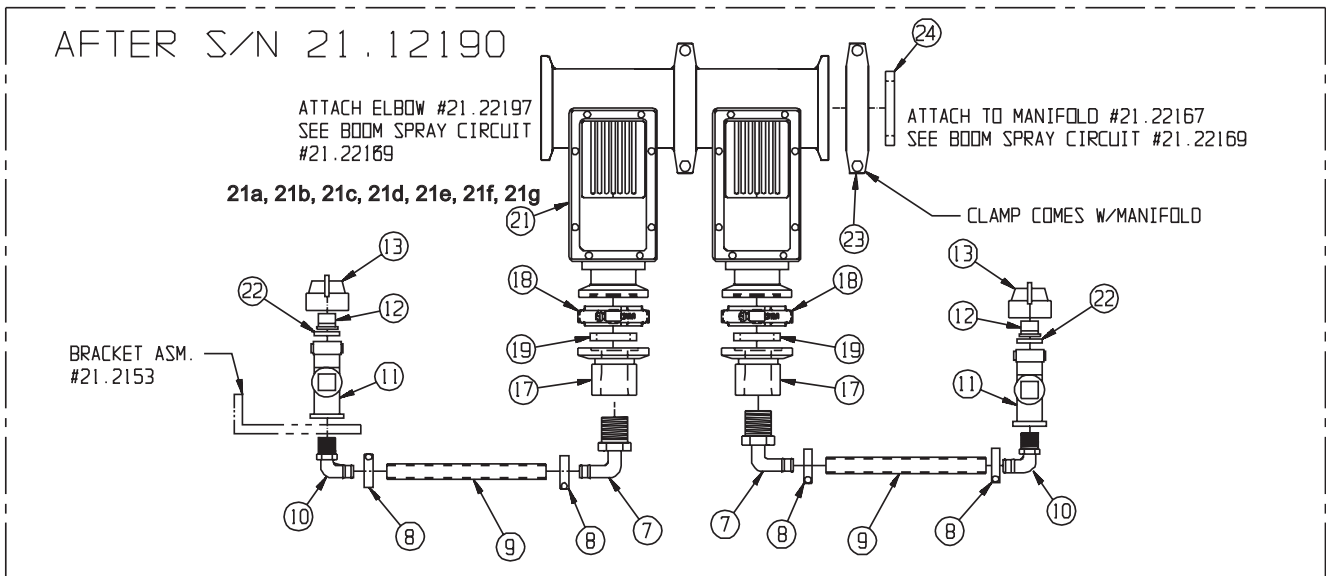
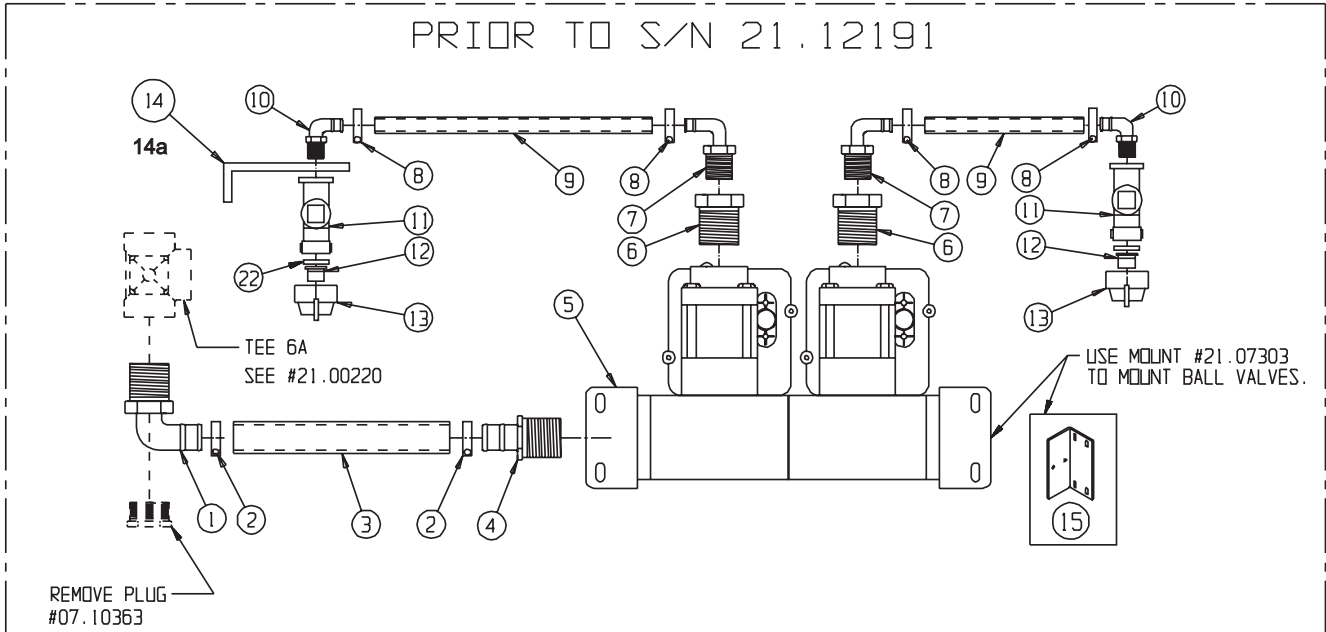
FENCE ROW KIT OPTION

21.00633 FACTORY INSTALLED PRIOR TO S/N 21.12191

21.20251 FIELD INSTALLED PRIOR TO S/N 21.12191

21.00698 FACTORY INSTALLED AFTER S/N 21.12190

21.00699 FIELD INSTALLED AFTER S/N 21.12190



FENCE ROW KIT OPTION

21.00633 FACTORY INSTALLED PRIOR TO S/N 21.12191

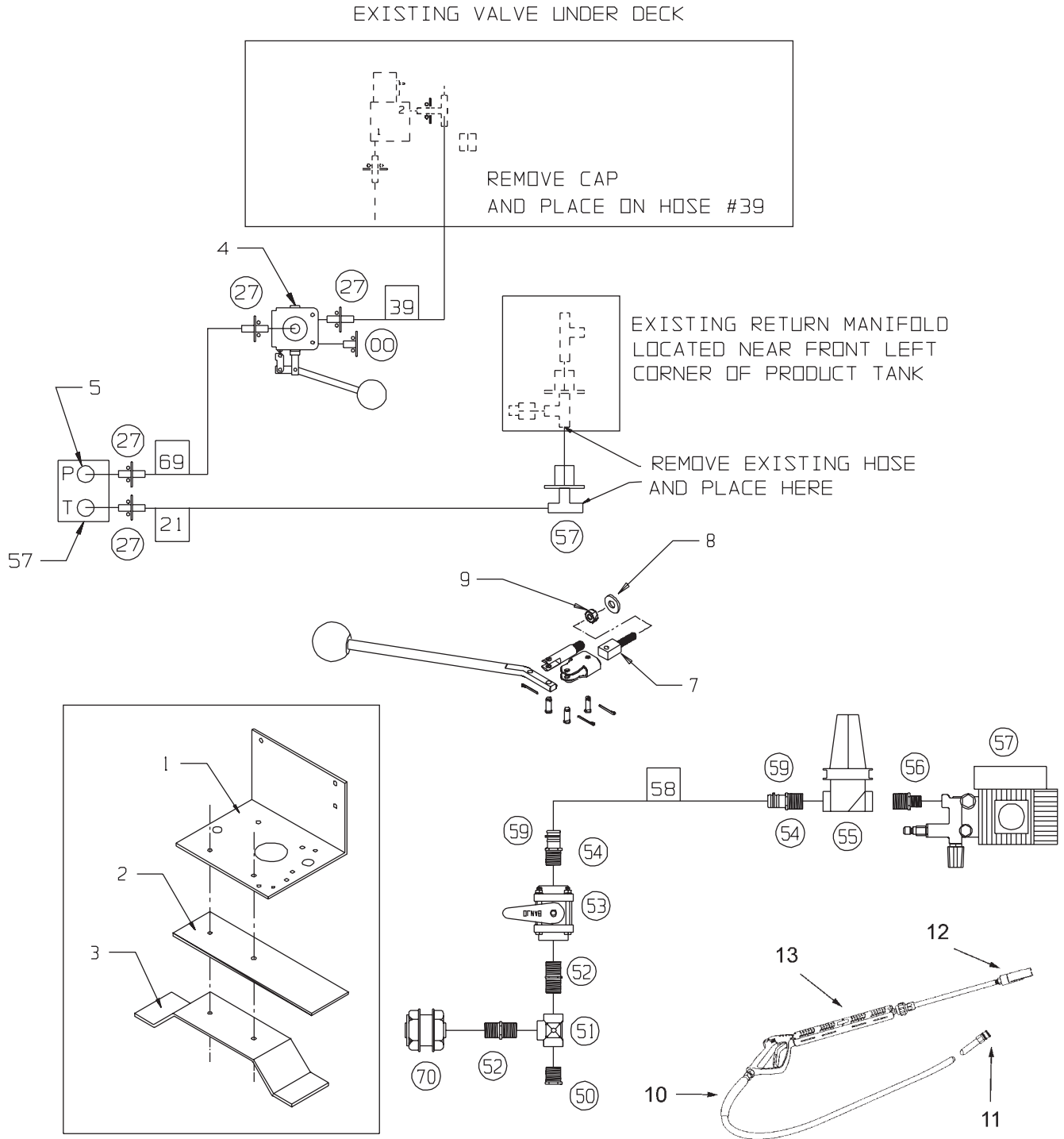
21.20251 FIELD INSTALLED PRIOR TO S/N 21.12191

21.00698 FACTORY INSTALLED AFTER S/N 21.12190

21.00699 FIELD INSTALLED AFTER S/N 21.12190

KEY	PART NO.	DESCRIPTION
1	07.10291	Elbow - 90° 1" MPT x ¾" HB
2	07.16542	Clamp - 12 HS
3	07.10570	Hose - EPDM .75" x 2BR
4	07.10328	Straight - 1" MPT x ¾" HB
5	21.00259	Manifold - 440 2SCT.1" In/Out (See Note)
6	07.17402	Bushing - 1" MPT x ½" FPT
7	07.10297	Elbow - 90° ½" MPT x 3/8" HB
8	07.13739	Clamp - M6P
9	07.10572	Hose - EPDM .375" x 1 BR
10	07.10279	Elbow - 90° ¼" MPT x 3/8" HB
11	07.16723	Swivel - Hose Drop QJ Single
12	07.16943	Tip - XR8004VS Red 50 Mesh
13	07.13051	Cap - CP25611-3-NY Red
14	21.05035	Bracket
14a	21.21203	Tab - Fence Line Nozzle
15	21.07303	Ball Valve Mount, Fence Row
16	21.00112	Harness, Fence Row
17	07.07974	Fitting - 1" Flange x 1" FPT
18	21.20995	Clamp - Worm 100 Series
19	21.20994	Gasket - EPDM 1"
20	07.06701	Gasket - EPDM 1-1/2"
21	21.23176	Manifold - 450 2-Section (Was 21.22167)
21a	21.23177	Valve - Ball 1" (Use To Replace 1 Section, Motor W/ Valve)
21b	07.09262	Motor
21c	07.09263	Retaining Clip
21d	07.08661	Tee body, #75
21e	07.08670	Mounting Rail, Aluminum
21f	07.08671	Screw, Mounting Rail
21g	07.08675	Kit - Spare Parts (Includes O-ring & Gaskets For Ball Valve)
22	07.15790	Gasket
23	21.22741	Clamp, Product Manifold
24	21.22742	O-Ring, Product Manifold

OPTIONS FOR WET SYSTEM, PRESSURE WASHER KIT
 21.00631 FACTORY INSTALLED PRIOR TO S/N 21.12203, 21.21825 FIELD INSTALLED



OPTIONS FOR WET SYSTEM, PRESSURE WASHER KIT

21.00631 FACTORY INSTALLED PRIOR TO S/N 21.12203, 21.21825 FIELD INSTALLED

ITEM CALLOUTS IN □ ARE HOSES
 ITEM CALLOUTS IN ○ ARE FITTINGS

SERVICE COMPONENTS

KEY	PART NO.	DESCRIPTION
1	21.07300	Bracket, Pump Power Washer
2	21.07301	Flat, Hose Hanger
3	21.07302	Bracket, Hose Hanger
4	21.00198	Valve, 3 Way- 2 Position
5	21.21263	Orifice
7	21.21215	Mounting Adapter
8	21.21216	Lock Washer
9	21.21217	Jam Nut
10	21.00870	Hose
11	21.00869	Quick Coupler
12	21.00868	Nozzle
13	21.00871	Gun & Lance Only
57	21.00197	Pressure Washer

HYDRAULIC HOSES AND FITTINGS

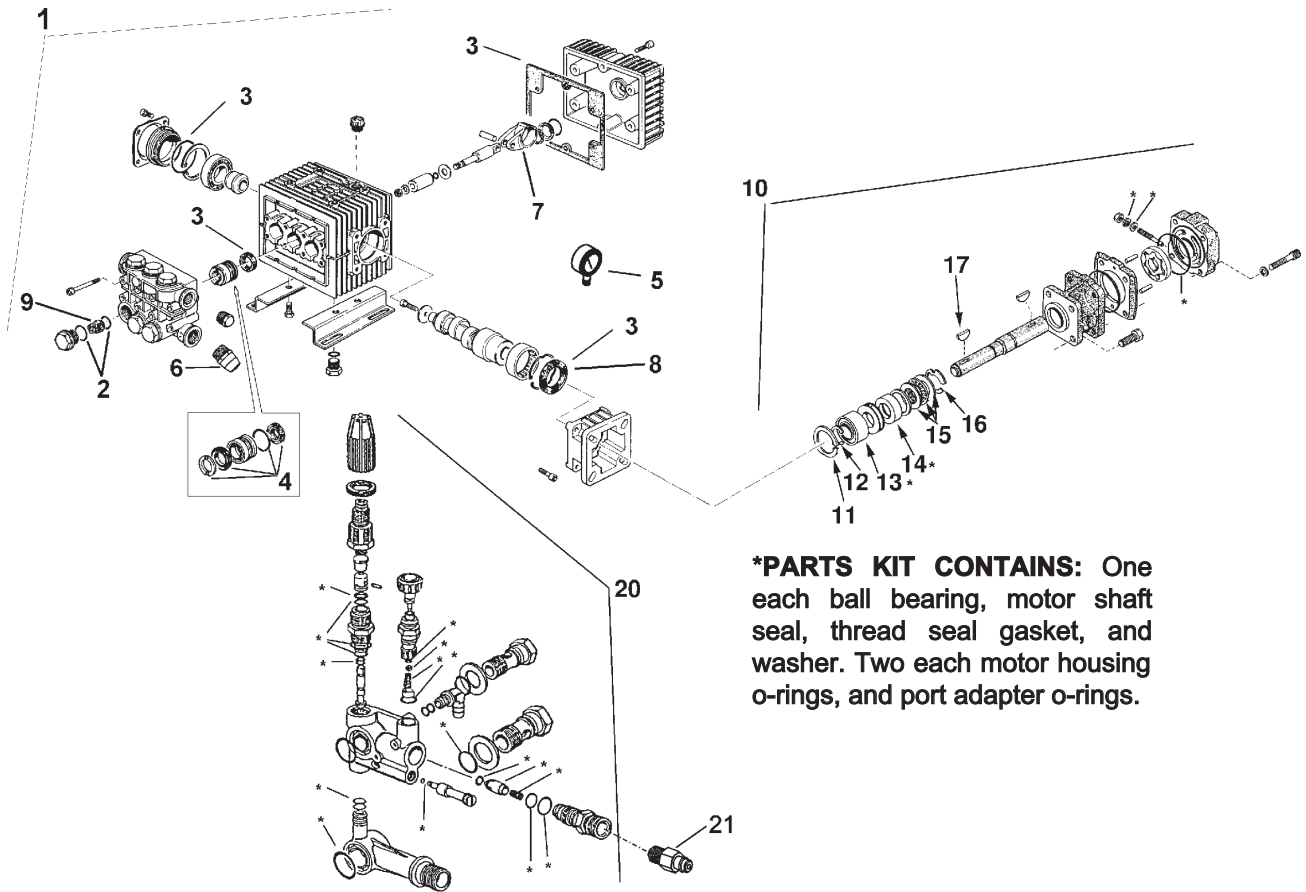
KEY	PART NO.	DESCRIPTION
21	21.00421	Return Hose
39	21.00439	Press Hose
69	21.00469	Valve/Pump Hose
00	21.00300	-8 O-ring Plug
27	21.00327	-8 O-ring x -8 orfs (str)
57	21.00357	-12 Sn Branch Tee

WATER HOSES AND FITTINGS

KEY	PART NO.	DESCRIPTION
50	07.10367	Plug, 3/4npt
51	07.10391	Tee, 3/4 NPT
52	07.10322	Nipple, 3/4 Short
53	07.15090	Valve, 3/4npt Full Port
54	07.10348	Hose Barb, 3/4 Barbx3/4npt
55	07.17732	Strainer, 3/4npt, 80 Mesh
56	07.15684	Reducer Nipple, 3/4nptx1/2npt
57	21.00197	Pressure Washer
58	07.10570	3/4 EDPM Hose, 58"
59	07.16542	#12 Hose Clamp
70	07.13030	Fitting, Bulkhead 3/4 FPT (Used with Poly Freshwater Tank)

PRESSURE WASHER KIT

#21.00631 FACTORY INSTALLED, #21.21825 FIELD INSTALLED S/N PRIOR TO 21.12203



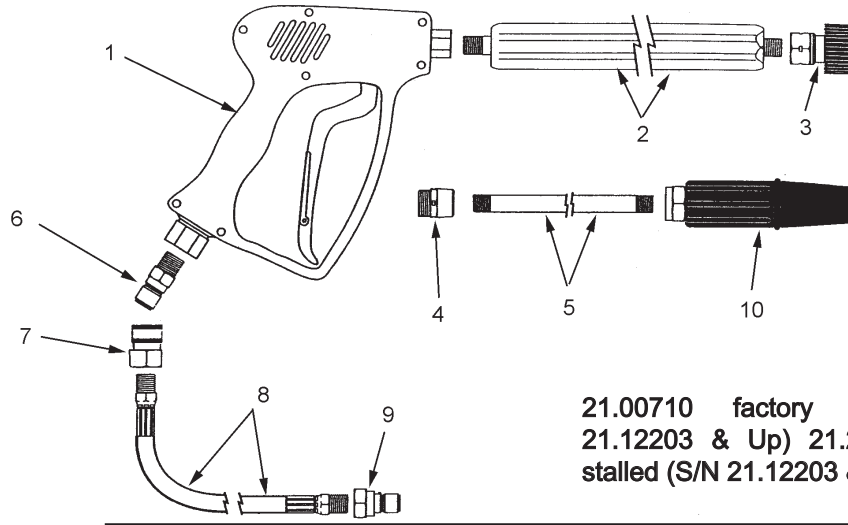
***PARTS KIT CONTAINS:** One each ball bearing, motor shaft seal, thread seal gasket, and washer. Two each motor housing o-rings, and port adapter o-rings.

PRESSURE WASHER KIT

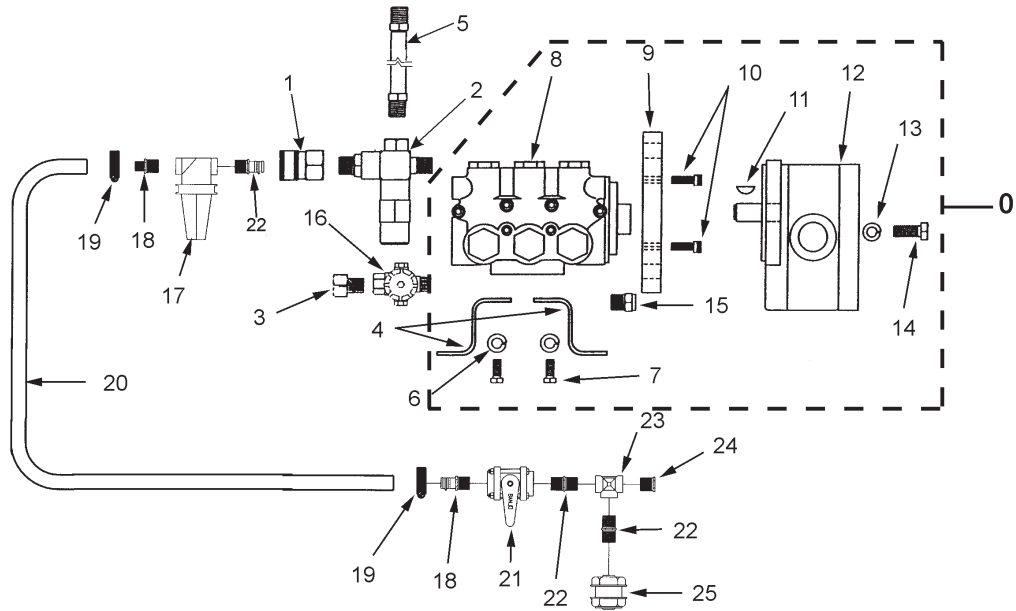
#21.00631 FACTORY INSTALLED, #21.21825 FIELD INSTALLED S/N PRIOR TO 21.12203

KEY	PART NO.	DESCRIPTION
1	21.00874	Includes all of above model
2	21.00864	Seal Kit (See above)
3	21.00865	Seal Kit (See above) - includes all items keyed 3
4	21.00866	Seal Kit (See above)
5	07.17866	Pressure gauge, 0-3000 PSI
6	21.21100	Valve - Pressure Relief
7	21.21283	Rod, Connecting
8	21.21284	Seal, Connecting Shaft
9	21.21285	Valve Assembly
10	21.00867	Complete Motor Asm only
11	07.12125	Retaining Ring
12	07.12122	Snap Ring
13	07.13135	Ball Bearing
14	07.13406	Shaft Seal
15	07.15435	Thrust Bearing Asm- Consists of: (one) Thrust Bearing & (two) Thrust Bearing Races
16	07.15434	Snap Ring
17	07.12096	Key
20	21.00873	Complete Assembly
	21.00872	Seal Kit
21	21.23185	Disconnect - Quick (Male End)

PRESSURE WASHER, PACE



21.00710 factory Installed (S/N 21.12203 & Up) 21.22322 Field Installed (S/N 21.12203 & Up)



Kit, Valve, Pace 21.22312

PRESSURE WASHER, PACE
21.00710 FACTORY INSTALLED (S/N 21.12203 & UP)
21.22322 FIELD INSTALLED (S/N 21.12203 & UP)

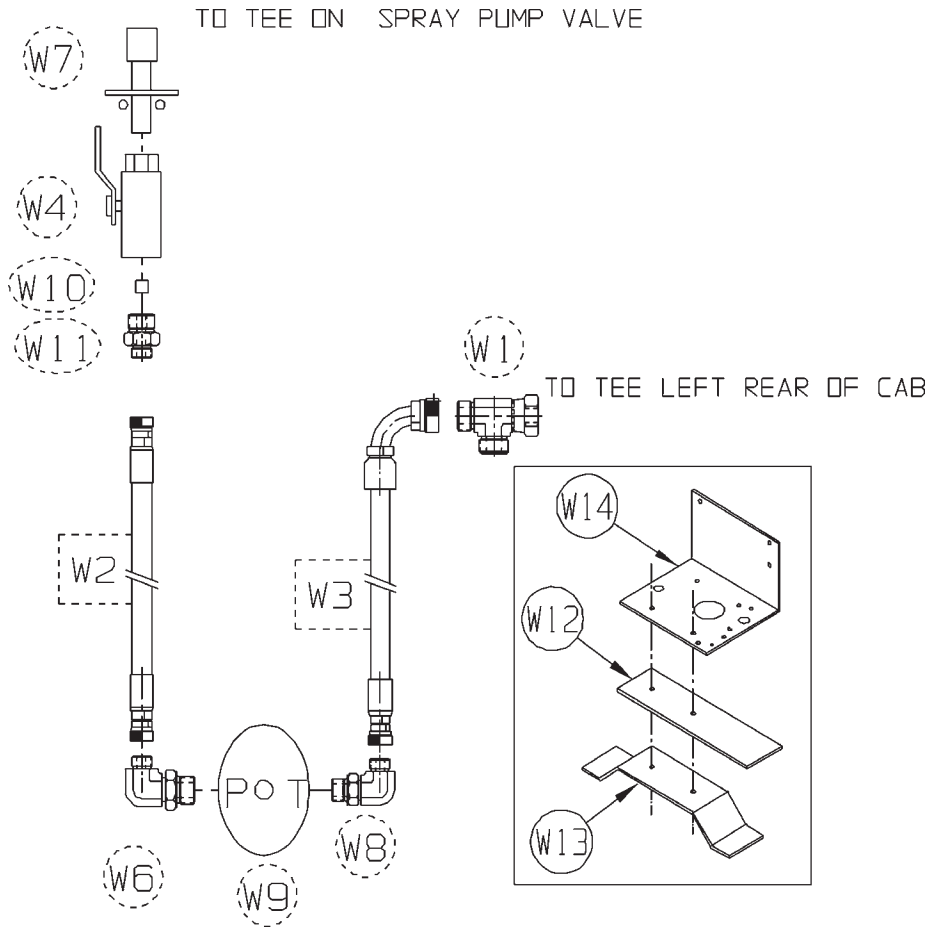
KEY	PART NO.	DESCRIPTION
0	21.22276	Washer Pressure, Pace
1	21.22310	Trigger Gun
2	21.23686	12" Insulated Lance
3	21.23687	ST-40
4	21.23688	ST-41
5	21.23689	Lance
6	21.23690	Plug
7	21.23691	Socket
8	21.22311	Hose
9	21.23692	Plug
10	21.23693	Nozzle

KIT, VALVE, PACE 21.22312

KEY	PART NO.	DESCRIPTION
0	21.22276	Pressure Washer, Pace
1	21.23469	Socket
2	21.22308	Unloader
3	21.23470	Inlet Fitting
4	21.23471	Foot Mount
5	21.23472	Hose
6	900503	5/16 Lock Washer
7	907069	8mm Bolt
8	21.23473	Water Pump
9	21.23474	Adapter Plate
10	907664	HHCS M6 x 20mm
11	21.23475	Key
12	21.22306	Motor
13	900504	3/8 Lock Washer
14	903699	HHCS 3/8 x 7/8
15	21.22309	Thermal Valve

KEY	PART NO.	DESCRIPTION
16	21.23476	Filter
17	07.17732	Strainer, 124A - 3/4 PP 80 Mesh AA124A - 3/4 - PP - 80
18	07.10348	Straight, 3/4PT X 3/4HB NY
19	07.16542	Clamp, Wrom .562" - 1.250" DIA 12HS Stainless
20	07.10570	Hose, EPDM .75" X 2BR Black
21	07.15090	Valve, Ball 3/4" NPT
22	07.10322	Nipple, 3/4" X Close Poly
23	07.10391	Tee, 3/4" FPT
24	07.10367	Plug, Hex 3/4" MPT
25	07.13030	Fitting, Bulkhead 3/4" NPT (used w/fresh water poly tank)
26	21.22278	Adapter, 3/4 NPT X 3/4 Hose
NS	21.22307	Kit, Shaft Seal, Pace

POWER WASHER, PACE

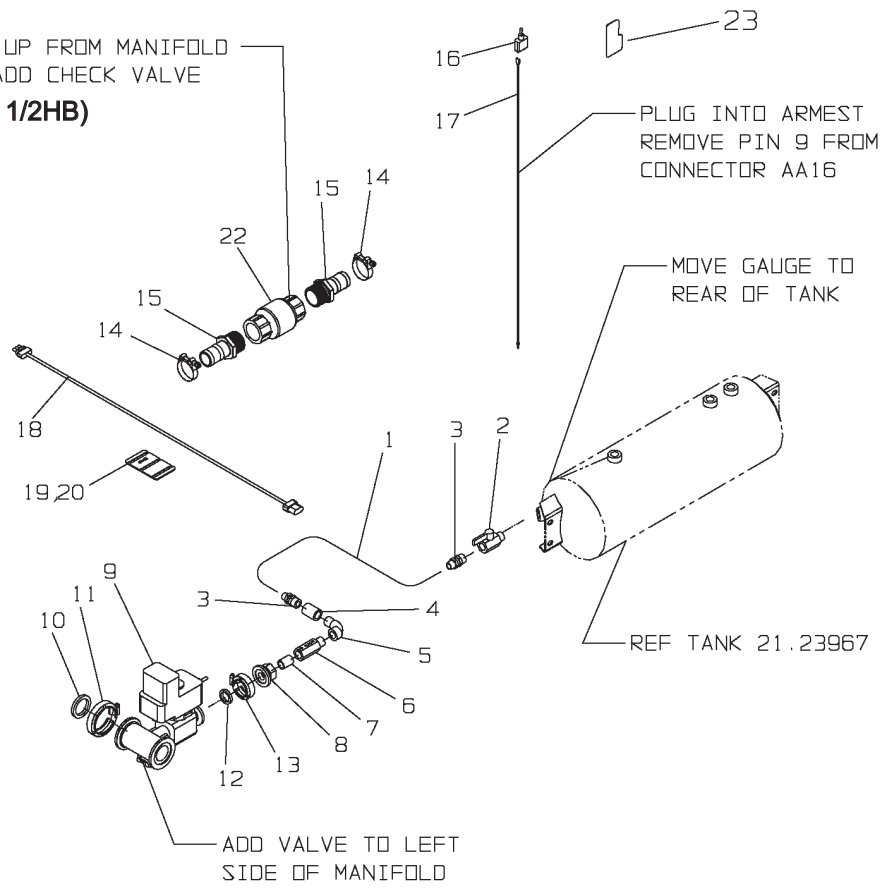


KEY	PART NO.	DESCRIPTION
W1	21.00343	Tee, 12 ORFS Swivel
W2	21.00415	Hose, 1/2 X 38
W3	21.00443	Hose, 1/2 X 54
W4	21.22277	Valve, Ball #12 ORB 3000 PSI
W6	21.00331	Elbow, 90 - 8 ORFS - 10 SAE
W7	21.22318	Connector, 12 ORFS - 12 ORB
W8	21.00332	Elbow, 90 - 8 ORFS - 12 SAE
W9	21.22306	Motor
W10	21.22305	Orifice .070 DIA.
W11	21.22304	Adapter, 7/16-20 TAP
W12	21.07301	Flat Hose Hanger
W13	21.07302	Bracket, Hose Hanger
W14	21.22275	Bracket, Pace Washer

BOOM BLOW OUT OPTION
#21.24428 - FACTORY, #21.24429 - FIELD

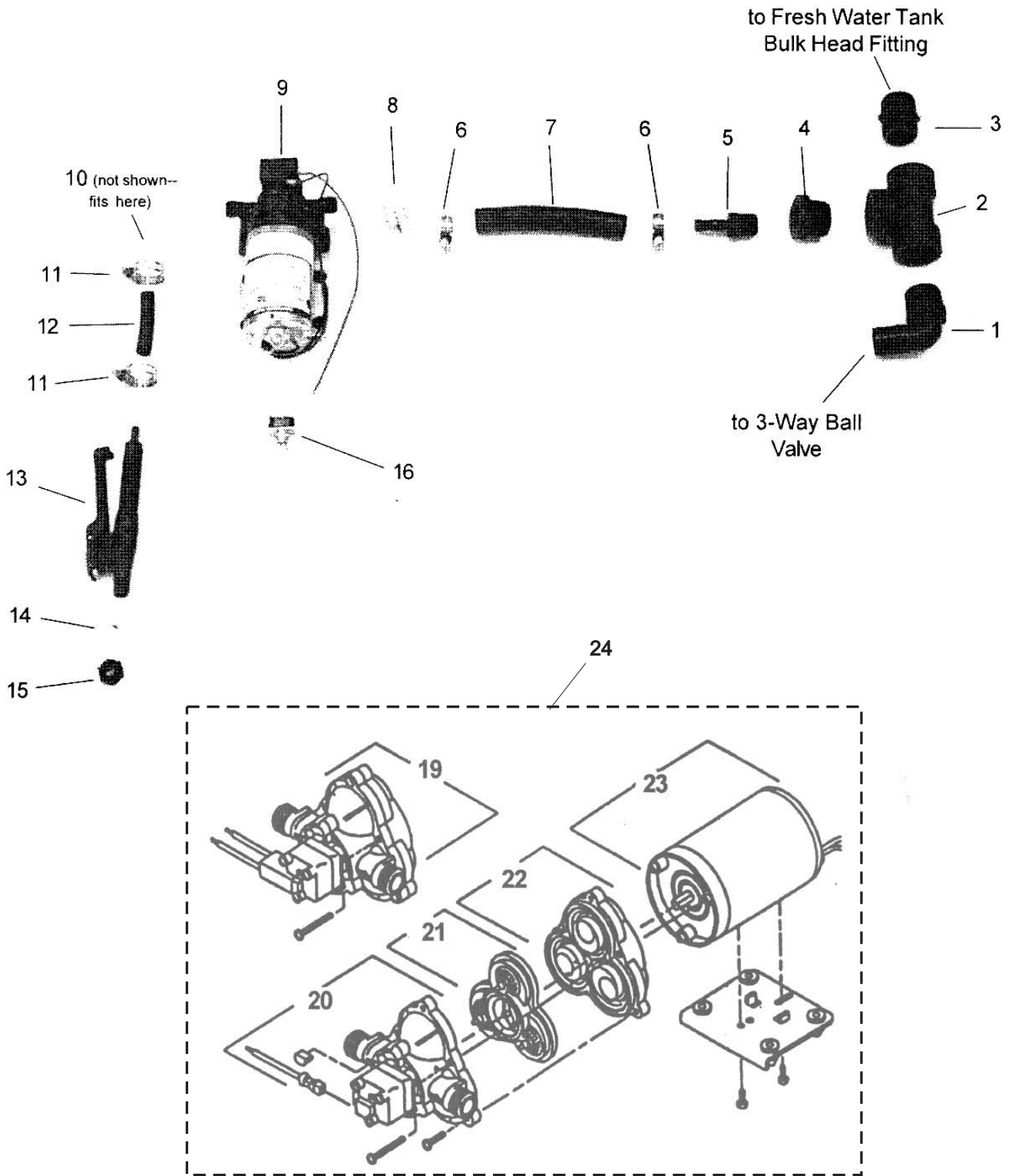
CUT LINE 10" UP FROM MANIFOLD
 & ADD CHECK VALVE

Note: 07.10428 (2"PT x 1 1/2HB)
Is used in field install kit.



KEY	PART NO.	DESCRIPTION
1	11.80530	Airline - 1/2" Nylon
2	07.20708	Valve - Ball Butterfly 1/2"NPT
3	907807	Fitting - Compression, 1/2PT
4	32.00693	Coupler - 1/2"
5	32.00708	Elbow - Ss 90d Street 1/2"
6	905367	Valve - Check 1/2 NPT
7	32.00687	Nipple - Ss Close 1/2"
8	07.07974	Fitting 1" Flange 1/2"FPT
9	21.23184	Manifold - 1 Sect Electric VLV
10	07.06701	Gasket - EPDM 1-1/2" Std
11	07.06702	Clamp - Worm Screw 2"
12	21.20994	Gasket - EDPM 1"
13	21.20995	Clamp - Worm 100 Series
14	07.07739	Clamp - Banjo Super 1.81-2.06 (2000 Series)
	07.11691	Clamp - Banjo Super 2.31-2.62 (3000 Series)
15	07.10329	Straight - 1-1/2PTX1-1/2HB NY (2000 Series)
	07.10342	Straight - 2PT x 2HB NY (3000 Series)
16	21.23362	Switch - Toggle SPDt Sealed
17	21.24431	Harness - Boom Blow Out, Cab
18	21.24430	Harness - Boom Blow Out, Valve
19	906907	Cable Tie - 8"
20	21.24491	Hose Protector Shield
22	07.06681	Check Valve 1 1/2" FPT (2000 Series)
	21.21726	Check Valve 2" FPT (3000 Series)
23	21.25007	Decal

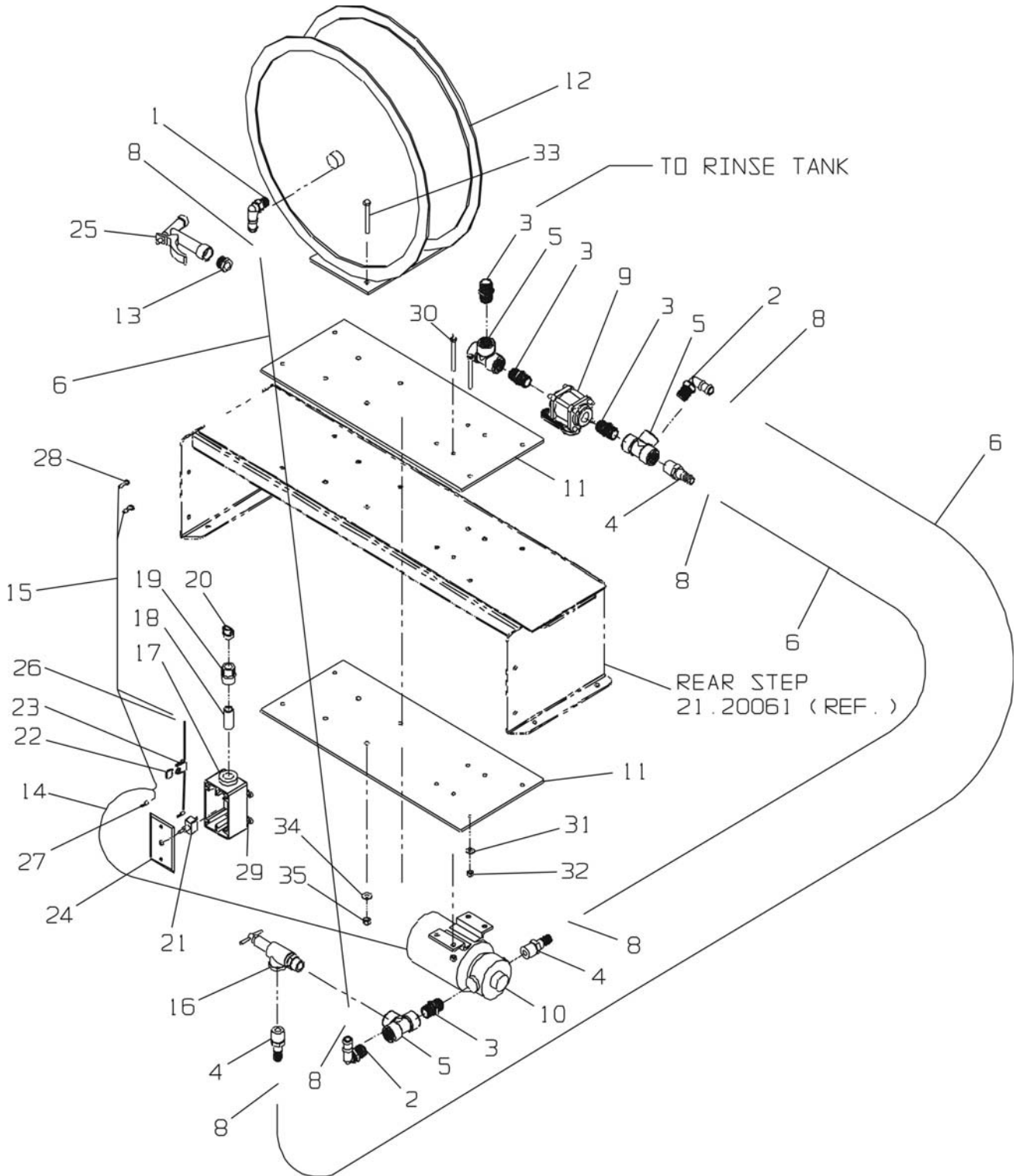
OPTIONAL ELECTRIC RINSE KIT FOR CHEMICAL INDUCTOR, #21.00688



OPTIONAL ELECTRIC RINSE KIT FOR CHEMICAL INDUCTOR, #21.00688

KEY	PART NO.	DESCRIPTION
1	07.13309	1 1/4" x 1 1/2" Threaded 90° Hose Barb
2	07.10388	1 1/4" Tee
3	07.10318	1 1/4" Close Nipple
4	07.10257	1 1/4" x 3/4" Reducer Bushing
5	07.10344	3/4" x 1/2" Threaded Straight Hose Barb
6	07.11695	1/2" Stainless Steel Hose Clamp
7	07.10565	1/2" EPDM Hose (Order Per Foot)
8	07.15044	Filter Assembly
9	07.05114	Electric Pump - Demand 3 GPM
10	07.15046	3/8 Female 90° Hose Barb (Not Shown)
11	07.11695	3/8" Stainless Steel Hose Clamp
12	07.10572	3/8" EPDM Hose (Order Per Foot)
13	07.20729	Hand Gun W/ Nylon Nut
	07.16313	Repair Kit - Hand Gun
14	07.17275	XR 8008 Spray Tip
15	01.10616	Nylon Nut
16	21.20794	Switch - Toggle
17	07.10364	1 1/4" Plug (Used In Control Center To Plug Open Port Where The Hose For Hand Gun Would Be As Standard) (Not Shown)
18	07.13145	Nylon Tie Straps (Not Shown)
19	07.20148	Complete Pump Head
20	07.20149	Switch Kit & Upper Housing
21	07.20150	Valve Kit
22	07.20151	Diaphragm Kit
23	07.20152	Motor
24	07.05114	Pump - Shurflo 3.0 GPM
25	07.10302	Elbow - 90° 3/4MPT x 1/2HB
26	07.10322	Nipple - 3/4 Close Poly
27	07.10367	Plug - Hex 3/4MPT
28	07.10391	Tee - 3/4FPT
29	07.15090	Valve Ball - 3/4MPT
30	21.21596	Harness - Chemical EDCT Wash
31	21.22918	Bracket - Chemical Wash
32	21.21653	U-Bolt SS, SQ, 5/16-18 x 4 x 5
33	907390	HH Nut, 5/16, SS
34	907464	Washer, SS, Flat 5/16
35	21.21652	U-Bolt, SS, SQ, 3/8-16 x 4 x 4
36	07.13446	Tip - TP8015 Brass 80°

KIT, WASHER 4101N-EH, HYPRO



KIT, WASHER 4101N-EH, HYPRO

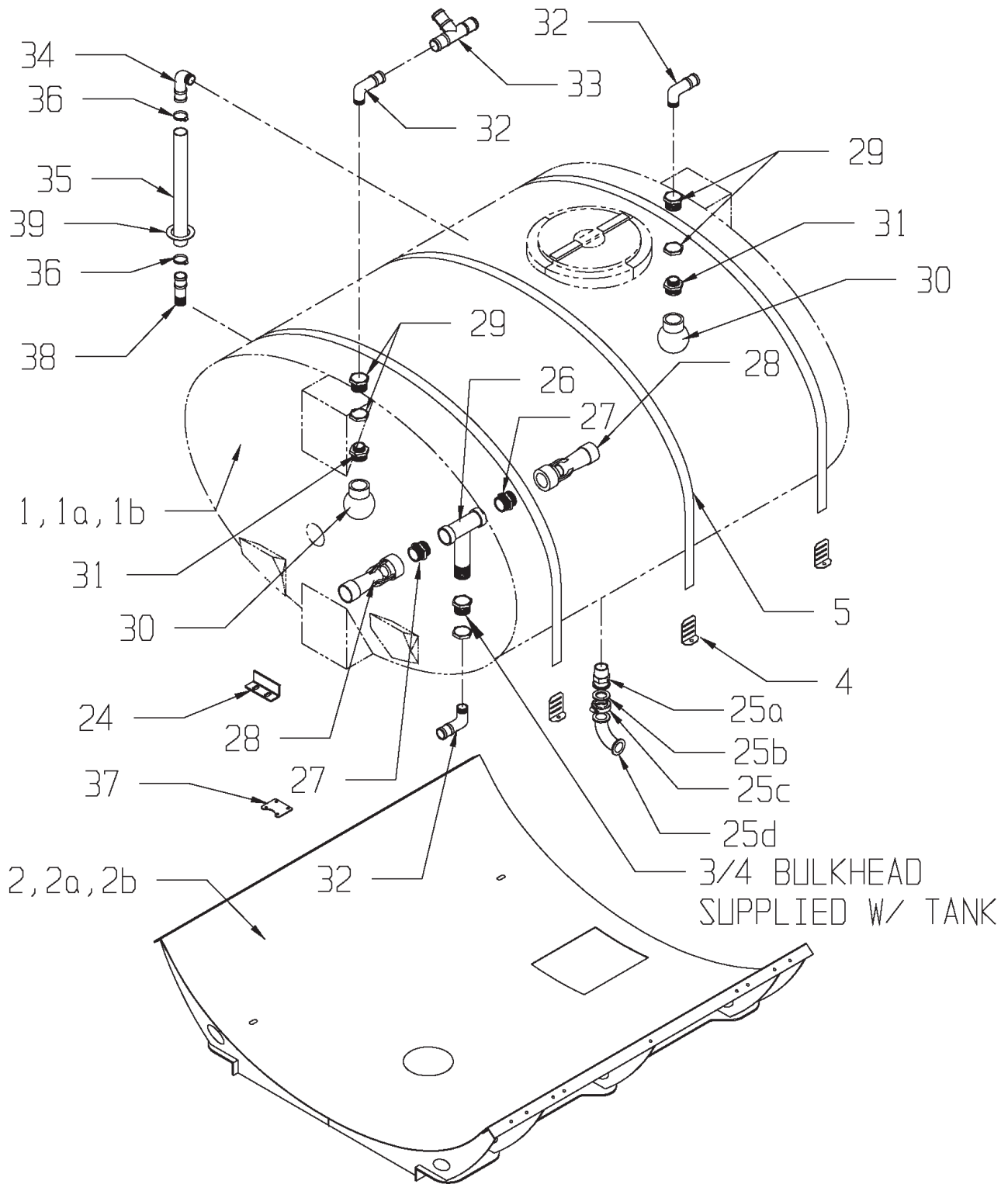
KEY	PART NO	DESCRIPTION	Qty
1	07.10296	ELBOW - 90D ½"MPT X ¾"HB	1
2	07.10305	ELBOW - 90D ¾"MPT X ¾"HB	2
3	07.10322	NIPPLE - ¾" X CLOSE POLY	4
4	07.10348	STRAIGHT - ¾PT X ¾HB NY	3
5	07.10391	TEE - ¾" FPT	3
6	07.10570	HOSE - EPDM .75"X2BR BLK	6
8	07.11699	CLAMP - WORM 1.062"-2.000" DIA	6
9	07.15090	VALVE - BALL ¾" NPT	1
10	07.17193	PUMP - 4101N-EH W/12V MOTOR	1
11	21.21730	PLATE - HOSE REEL	2
12	21.21734	HOSE REEL - ½ DIA X 50' HOSE	1
13	21.21862	FITTING - HOSE MALE - ½"FPT	1
14	32.00722	LOOM - WIRE ¼" PLASTIC	3
15	32.00796	WIRE - 10GA-2D BRAIDED	20
16	07.11175	VALVE - PRESS RELIEF ¾ BRASS	1
17	21.24504	PVC FUSE BOX	1
18	21.24505	½" PVC TUBE X 1.75"	1
19	21.24506	PVC FEM ADAPTER ½ TUBE/PIPE	1
20	902282	CLAMP CONNECTOR, ½" PIPE	1
21	21.24508	SWITCH, TOGGLE SPST 50 AMP	1
22	21.24509	FUSE, AUTO 40 AMP	1
23	21.24510	FUSE HOLDER, AUTO	1
24	21.24511	COVER, GRAY BLANK	1
25	21.24512	SPRAY NOZZLE, GARDEN HOSE	1
26	902442	WIRE NUT	2
27	32.01760	RING CONNECTOR, #10	2
28	902442	RING CONNECTOR, 5/16	2
29	907492	SRCEW, 10-24 X ¾	4
30	907483	BOLT, SS 5/16-18 X 3	8
31	907379	WASHER, FLAT SS 5/16	16
32	907390	NUT, SS NYLON LOCK 5/16-18	8
33	907545	BOLT, SS 5/16-18 X 3	4
34	907380	WASHER, FLAT SS 5/16	8
35	907391	NUT, SS NYLON LOCK 5/16-18	4
36	21.24507	INSTRUCTIONS	1

This Page Intentionally Blank.

AIR CONDITIONING, CAB & TANKS, CHASSIS

THIS PAGE INTENTIONALLY BLANK

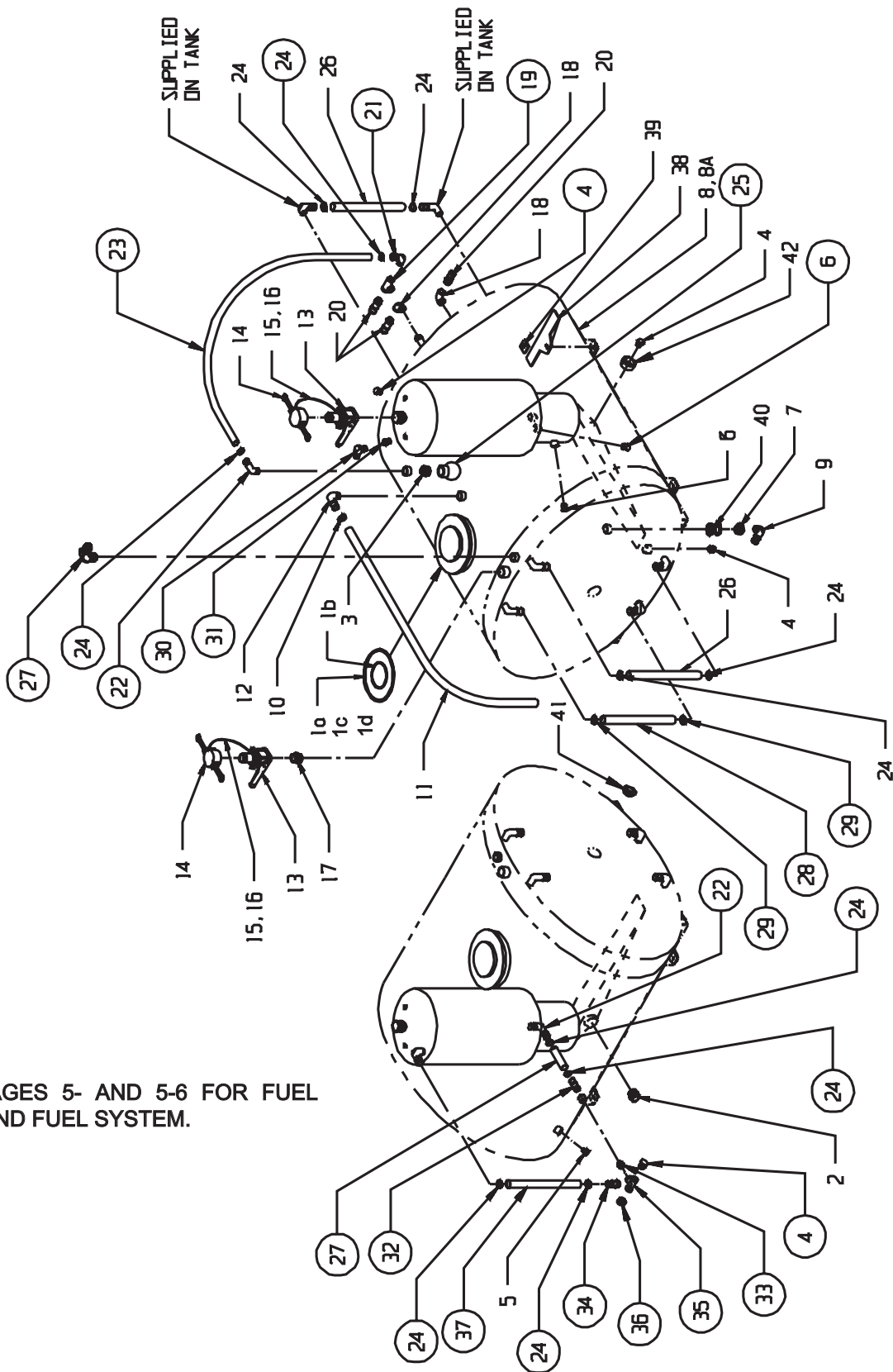
OPTIONAL TANK PARTS



OPTIONAL POLY TANK PARTS

KEY	PART NO.	DESCRIPTION
1	07.00632	Poly 1000G Tank
	07.16755	Lid
	07.16756	Ring
	07.15495	Breather
1a	21.00893	Poly 850G Tank
1b	07.05208	Tank, 750 Gal. Poly
2	21.07120	Saddle 1000G
2a	21.07121	850G Saddle
2b	21.22131	Saddle - Tank, 750 Gal. Poly
4	07.05756	Bracket, Belt
5	11.77800	Webbing, 2" Black/ ft.
24	21.20835	Stop
25		Nipple, 2" x Close Ny (Was 07.10321)
25a	07.07984	Fitting SS, 2" Full Port x 2" MPT
25b	07.11584	Gasket, EPDM, 2" Full Port
25c	21.21068	Clamp - Worm 220 Full Port
25d	21.21077	Elbow 90°, Flange 2 x 2 Full Port (Note: See 3" Quick Fill Option, Section 3-58, for 3" Fittings)
26	07.10381	Tee, Agitator $\frac{3}{4}$ "
27	07.15684	Nipple, Reducer $\frac{3}{4}$ x $\frac{1}{2}$ "
28	07.13536	Agitator, Hypro
29	07.13030	Fitting, Bulkhead $\frac{3}{4}$ " FPT
30	07.20161	Spray Rinse, 1" FPT Ball Type Nozzle
31	07.10397	Nipple, Reducer 1 x $\frac{3}{4}$ "
32	07.10301	Elbow, 90°, $\frac{3}{4}$ " MPT x 1" HB
33	07.13370	Hose Barb Tee 1"
34	07.10302	Elbow, 90°, $\frac{3}{4}$ " MPT x $\frac{1}{2}$ " HB
35	07.15872	Tubing, Clear Vinyl .50" ID
36	07.11696	Clamp, .437" - 1.000" Diameter
37	21.08413F	Bracket - Ball Valve
38	07.10344	Straight - 3/4 PT x 1/2 HB
39	32.60582	Grommet - 3/4 hole

TANKS & COMPONENTS (1 OF 2)

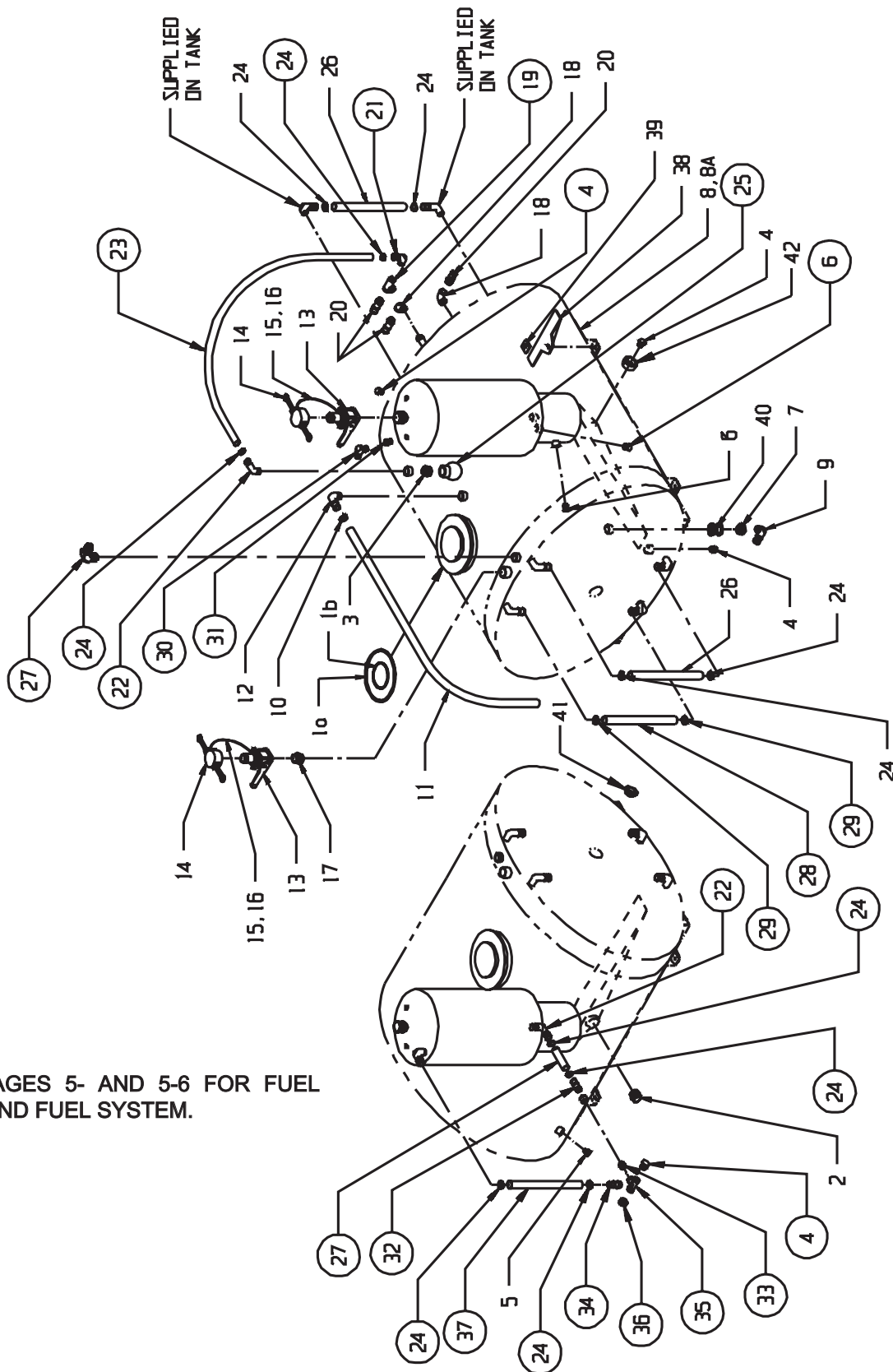


SEE PAGES 5- AND 5-6 FOR FUEL TANK AND FUEL SYSTEM.

TANKS & COMPONENTS (1 OF 2)

KEY	PART NO.	DESCRIPTION
1a	21.21128	Gasket - Knapp 16"
1b	21.22998	Gasket, small
1c	32.02912	16" Manhole Cover
1d	32.04732	Clamping Ring W/ Hardware
2	21.21228	Bushing - SS 3" MPT x 2" FPT
	07.07984	Fitting SS 2" Full Port Flg. x 2" MPT
	21.21628	Fitting SS 3" Flg. x 3" MPT
	21.21229	Nipple - SS 2" x 3" Long
	21.21227	Nipple - SS 3" x 4" Long
3	07.10397	Nipple - Reducer 1 x 3/4"
4	07.10367	Hex Plug - 3/4" MPT
5	07.16530	Hex Plug - 2" MPT
6	07.17401	Hex Plug - 1-1/2" MPT
7	07.11584	Gasket 2" Full Port (Was 07.10258 Prior to S/N 21.12223)
	21.21068	Clamp 2" Full Port
8	21.22313	Tank - #2B Finish SS 1000 Gal w/Compart W/ 2" Drain (Was 21.00194)
	21.22229	Tank - #4B Finish SS 1000 Gal w/ Compart
	21.22315	Tank - #2B Finish SS 1200 Gal w/ Compart W/ 2" Drain (Was 21.00071)
	21.22231	Tank - #4B Finish SS 1200 Gal w/ Compart
	21.22314	Tank - #2B Finish SS 1000 Gal W/ 2" Drain (Was 21.00891)
	21.22230	Tank - #4B Finish SS 1000 Gal
	21.22316	Tank - #2B Finish SS 1200 Gal W/ 2" Drain (Was 21.00892)
	21.22232	Tank - #4B Finish SS 1200 Gal
	21.20651	Tank SS 2/500 Gal
	21.20652	Tank SS 2/600 Gal
	21.20653	Tank SS 3/350 Gal
	21.20654	Tank SS 1400 Gal W/ 2" Drain (Was 21.23367)
	21.21540	Tank 2 Manhole
	21.21632	Tank SS 1400 Gal s/ 2" Sparge
	21.21953	Tank SS 1375 Gal
9	07.07077	Elbow - 90° 2" Full Port Flg. X 1-1/2 HB (Was 07.10292)
10	07.13245	Clamp - 1.562" -2.500" Dia.
11	07.15985	Hose - Fert Soil 2.0"
12	21.21002	Elbow 90 D 2" Full Port Flg. X 2" HB (Was 07.10396 Prior to S/N 21.12223)
13	07.07110	Valve - Stubby 2" Full Port Flg x 2" Male Adpt. (Was 21.00554 Prior to S/N 21.12223)
14	07.12379	Dust Cap - 2" Camlock
15	11.77120	Cable - 3/32 7 x 7 Vinyl Opaque
16	01.73844	Sleeve - Cable

TANKS & COMPONENTS (2 OF 2)

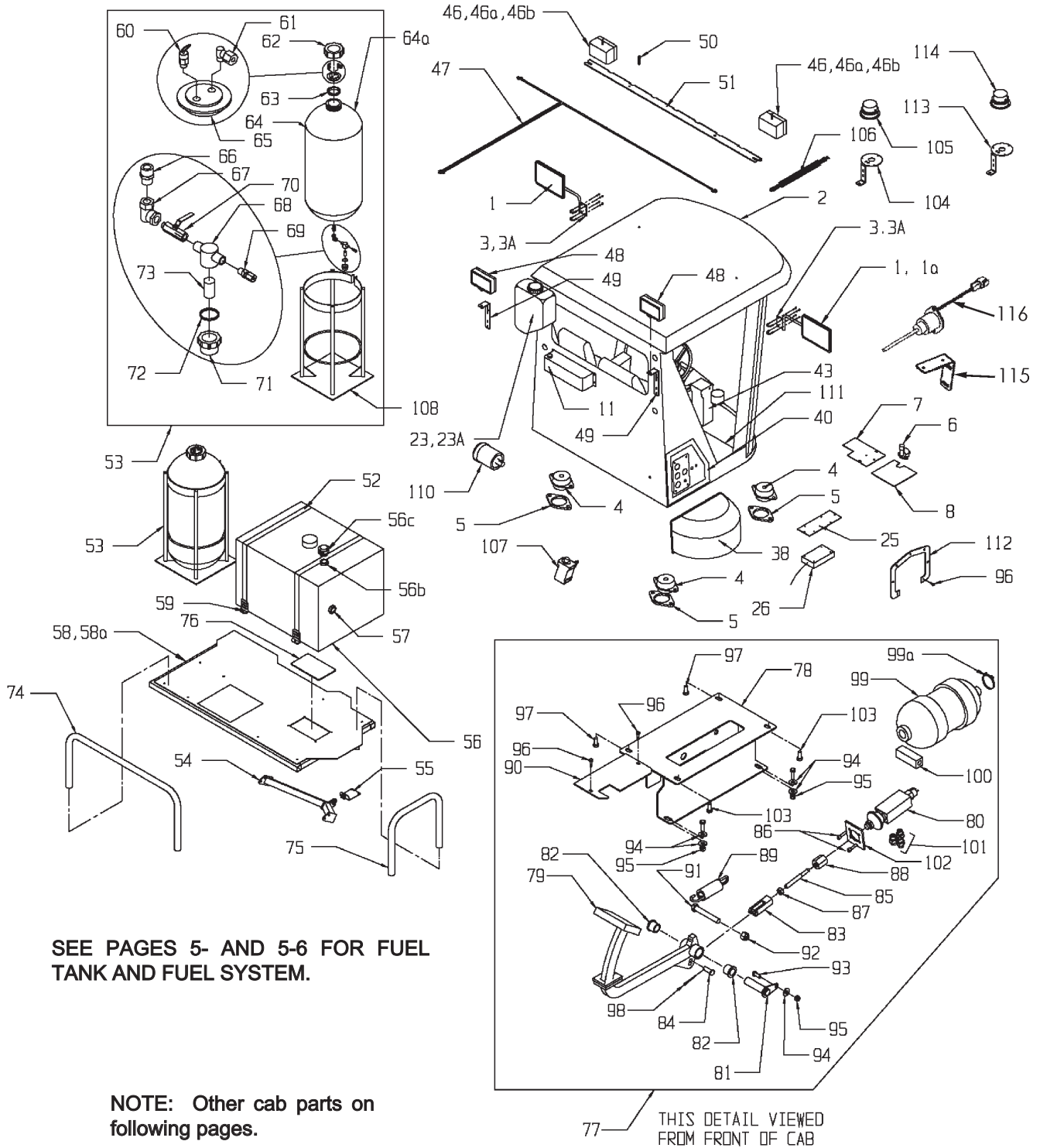


SEE PAGES 5- AND 5-6 FOR FUEL TANK AND FUEL SYSTEM.

TANKS & COMPONENTS 2 OF 2

KEY	PART NO.	DESCRIPTION
17	07.10321	Nipple - 2" x Close NY
18	21.20998	Elbow 1" Flg x 1" HB (Was 07.16425 Prior to S/N 21.12223)
19	21.21084	Tee - 1" Flg (Was 07.10386 Prior to S/N 21.12223)
20	21.21083	Fitting 1" Flg x 1" HB (Was 07.10327 Prior to S/N 21.12223)
21	21.21080	Elbow 1" Flg x ¾ HB (Was 07.10291 Prior to S/N 21.12223)
22	07.10305	Elbow - 90° ¾" MPT x ¾" HB
23	07.10570	Hose - EPDM .75" x 2 BR Blk
24	07.16542	Clamp - .562" - 1.250" Dia.
25	07.20161	Spray Rinse - 1" FPT Ball Type Nozzle
26	07.17730	Tubing - Clear Vinyl 1" ID
27	07.16424	Elbow 90 D 2" Street (Was 07.10570)
28	07.20005	Tubing - Clear Vinyl .375" ID
29	07.17210	Clamp - .218" -.625" Dia. Mini M4P Stainless
30	21.00552	Pushlock - 3/8 MPT x 3/8 90°
31	21.00553	Bushing - ¾ MNPT x 3/8 FNPT Bras
32	07.10348	Straight - ¼ FPT x ¼ FPT Sideprt NY
33	07.10322	Nipple - ¾" x Close NY
34	07.10341	Straight - ¼ PT x 3/8 HB NY
35	07.10385	Tee - ¾ FPT x ¼ FPT Sideprt NY
36	07.10260	Bushing - ¾" MPT x ½" FPT
37	07.20005	Tubing - Clear Vinyl .375" ID
38	21.22510	Spacer ¼" Product Tank
	21.22511	Spacer 12 GA Product Tank
39	21.22512	Spacer ¼" Product Tank
	21.22513	Spacer 12 GA Product Tank
40	07.07973	Flange Coupler - Full Port 2 x 2
41	21.23547	Seal, Product Tank Rinse/Sparge
42	32.04144	Coupler - SS Half 3" (Weld On)

CAB & TANKS (1 OF 3)



SEE PAGES 5- AND 5-6 FOR FUEL TANK AND FUEL SYSTEM.

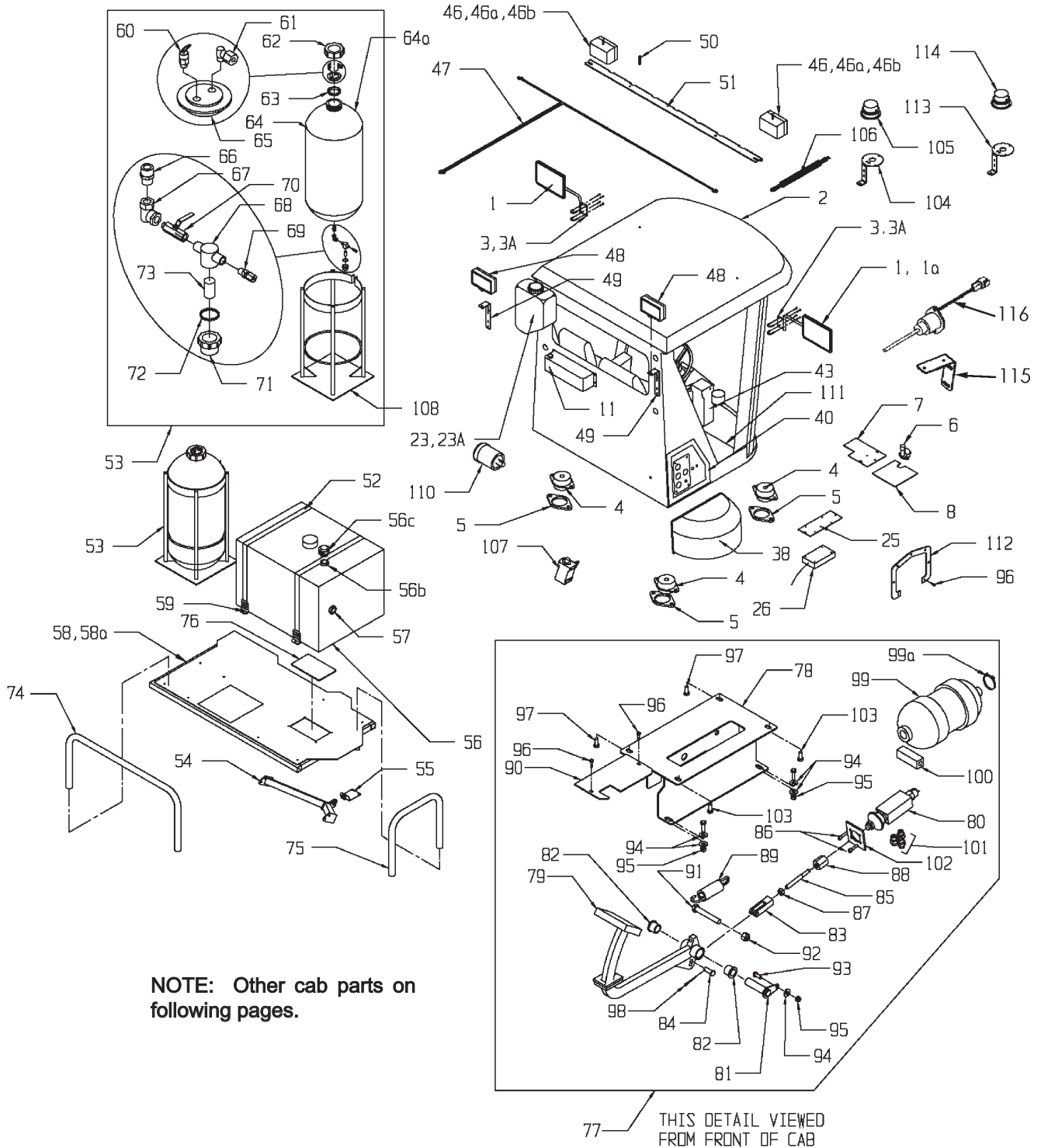
NOTE: Other cab parts on following pages.

THIS DETAIL VIEWED FROM FRONT OF CAB

CABS & TANKS (1 OF 3)

KEY	PART NO.	DESCRIPTION
1	21.20426	Mirror
1a	21.00138	Mirror, Set of 2
2	21.20704	Cab - Shell Only (Note: All other cab parts will be illustrated on following pages.)
	21.20703	Cab Replacement
	21.21332	Switch, Neural, Hydro Lever
3	21.09072.5	Mirror Bracket
3a	09.74201	U-Bolts 11/4x11/4
4	21.00002	Cab Isolator
5	21.21856	Cab Spacer (on S/N 21.2178 through 21.12190)
6	21.20799	Dimmer Switch
7	21.22744	Cover, Cab Dimmer Switch (S/N 21.12239 & After)
8	21.22743	Cover, Cab Boot (S/N S/N 21.12239 & After)
11	21.00038	Windshield Washer Assembly
14	21.00378	1/2NPT Fuel Shut off
15	21.21836	Adpt 7/8-14 x 1/2 MPT (275/2275HT Only) (Was 21.00376)
23	07.19022	Hand Rinse Tank
23a	21.09032	Bracket, Hand Rinse (On Machines Prior to S/N 21.12191)
24	21.00369	3/8NPT x 5/16 Hose Barb, 90°
25	21.09018.5	Radar Mtg Plate
26	07.08821	Radar (Was 07.20368)
37	21.00551	Fitting, 1/4 MNPT x 1/4 Pushlock
38	21.10558	Cover Includes Velcro (NOTE: this is a soft, flexible vingle cover)
40	21.21132	Velco - Electric Cover Mount, 45"
43	21.00009	Steering Coupler
46	21.20915	HID Light (Prior To S/N 21.12255)
	21.22330	HID Light (Thru 2000 Series)
	21.24754	HID Light (Thru 3000 Series)
46a	21.22409	Bulb Asm. (For Hid Light 21.22330)
	21.22348	Bulb (For Hid light 21.20915)
46b	21.22349	Fuse 8 AMP Slow Blow (For Hid Light 21.20915) 20 AMP Fuse can be substituted.)
47	21.20970	Harness (Opt) (Thru 2000 Series)
	21.24762	Harness (Opt) (Thru 3000 Series)
48	21.24711	Light, Halogen (S/N 21.12733 & After) (Thru 3000 Series)
	21.00132	Light (Thru 2000 Series)
48A	21.21175	Bulb
49	21.20972	Bracket (Opt) (Note: Not needed after S/N 21.12190.)
50	907316	HHD Bolt - M12P 1.25 x 60mm(Opt)
51	21.22405	Bracket (Opt) (Was 21.20971 Prior to S/N 21.12255)
52	11.77800	Webbing, 2" Black/ft.

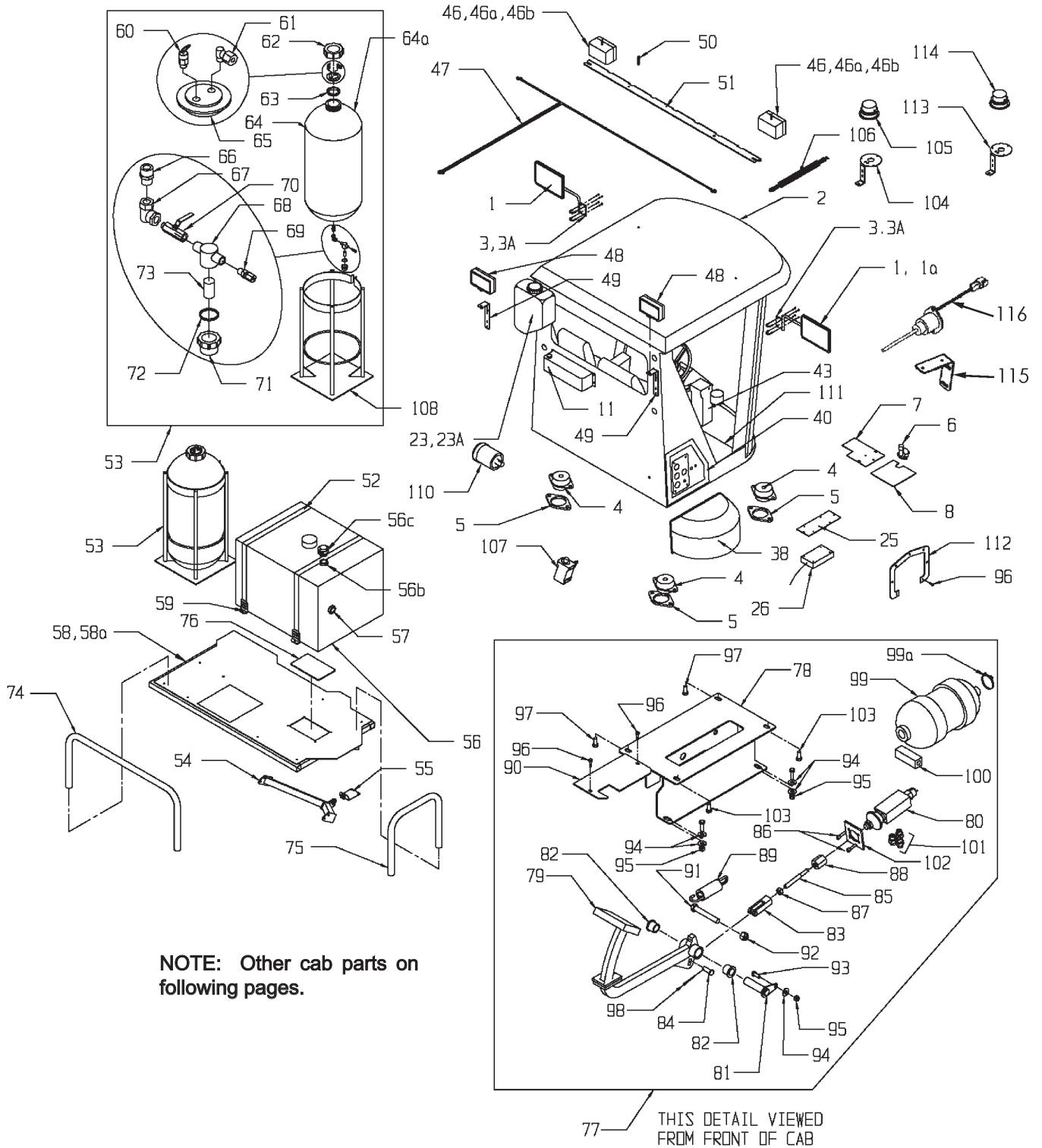
CABS & TANKS (2 OF 3)



CABS & TANKS (2 OF 3)

KEY	PART NO.	DESCRIPTION
53	21.00252	Foamer Tank Assembly
54	21.07170	Shelf Brace Weldment
55	21.24215	Bracket Weldment, Rear Shelf Mnt. (Was 21.07174)
56	21.00251	100G Tank
56a	21.22640	Cap for 100G Tank (Not Illustrated) w/Spring Loaded Vent
56b	07.17107	Bulkhead 2" FMP
56c	21.22641	Vent 2" MPT w/Screen
57	07.17405	Fitting - Bulkhead 1-1/2 FPT
58	21.07150	Shelf
58a	21.24371	Rear Shelf Wldmnt - Special
59	07.05756	Bracket, Belt
60	07.20251	Relief Valve
61	07.20254	¼ MNPT x 3/8 Tube Elbow
62	07.20263	Tank Cap Ring
63	07.20265	Tank Cap Gasket
64	21.00859	40 G Tank
64a	21.23952	Tank SS 100 Gal Auxiliary (Opt)
65	07.20264	Tank Cap Disk
66	07.15684	¾ x ½ mnpt Reducer
67	07.13366	½" x ½ fnpt Elbow
68	07.13588	Filter Body
69	07.13584	¼ mnpt x ¼ Tube Strt
70	07.20708	Valve, Brass Ball (S/N 21.12231 & After)
71	07.13569	Filter Bowl
72	07.13568	Filter O-Ring Gasket
73	07.13567	In Line Filter Screen
74	21.22033	Railing, Rear
75	21.22034	Railing, Side
76	21.22035	Cover
77	21.21963	Brake Pedal Assembly
78	21.21970	Mount Weldment, Brake Pedal
79	21.22011	Pedal, Brake (Machined)
80	21.21954	Valve, Brake
81	21.21964	Shaft Weldment, Brake Pedal
82	21.21956	Bushing, Brake Pedal
83	21.21972	Yoke, Brake
84	21.21973	Pin, Brake Yoke
85	21.21974	Rod, Brake Yoke
86	907489	SHCS, M6-1 x 25 mm
87	907490	HHD Nut, M10-1.5 SS

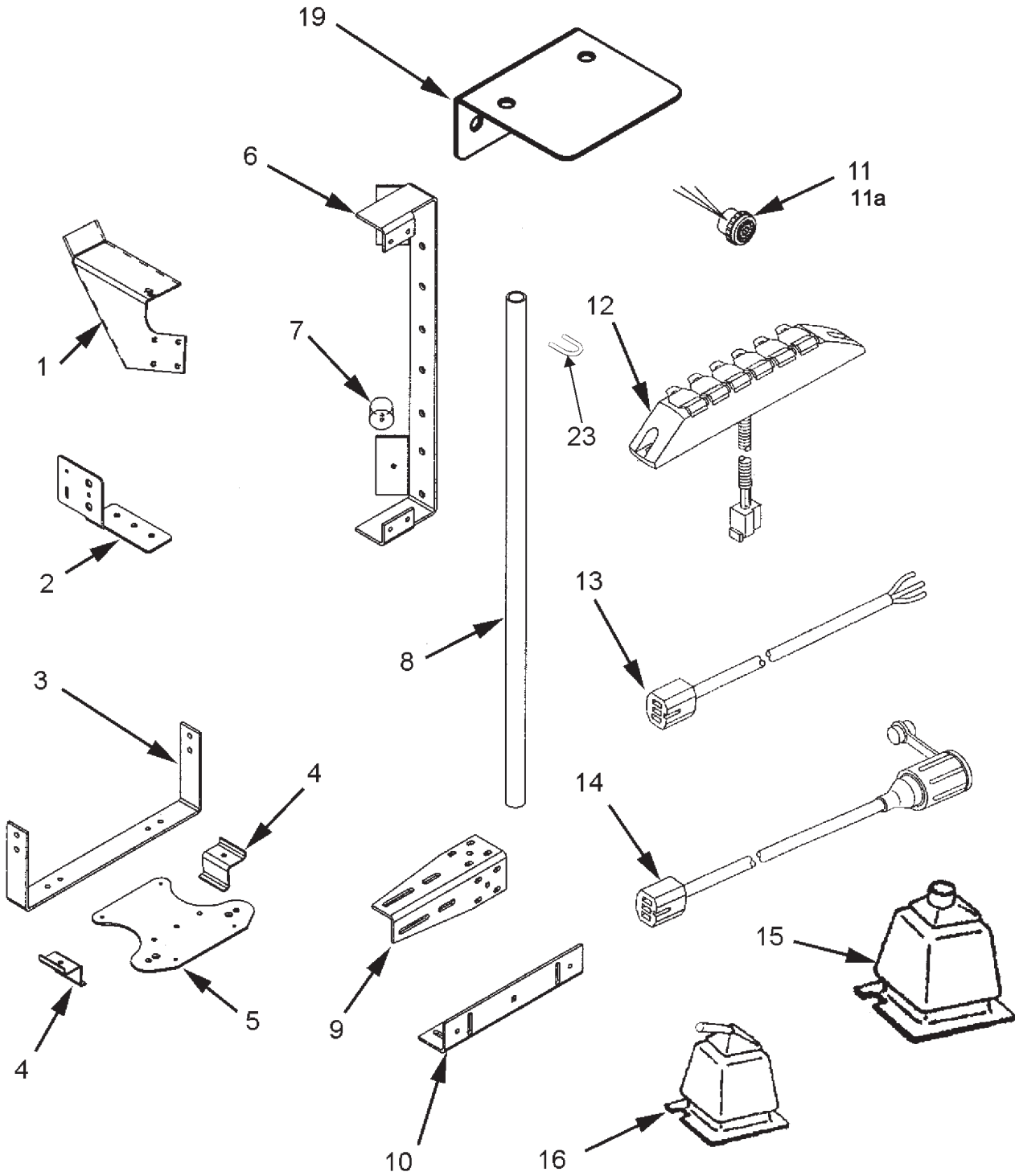
CABS & TANKS (3 OF 3)



CABS & TANKS (3 OF 3)

KEY	PART NO.	DESCRIPTION
88	21.21975	Nut, Retaining
89	21.21971	Spring, Brake Return
90	21.22036	Plate, Brake Cover
91	907453	HHD Blt, 1/2-13 x 3-1/2 SS
92	907392	HHD Nut, 1/2-13 SS Nylock
93	907463	HHD Blt, 5/16-18 x 3/4 SS
94	907464	Washer, 5/16 Wide Flat SS
95	907390	HHD Nut, 5/16-18 SS Nylock
96	907492	HHD Screw, 10-24 x 3/4 SS TC
97	904419	HHD Blt, M8-1.25 x 20
98	900527	Cotter Pin, 3/32 x 1-1/4
99	21.25076	Kit-Tilt Accumulator Replacement (Prior To SN 21.12687)
99	21.31537	Accumulator 85 CI (SN 21.12687 & After)
99a	21.00190	T-Bolt 5.6"
	21.31538	Clamp - 85 CI (1.4) Accumulator
100	21.22073	Check Valve, D6 Inline
101	21.22065	Adapter, -06 ORB x -04 ORFS
102	21.22078	Seal, Pedal
103	907349	HHD Blt, SS 5/16-18 x 1
104	21.22893	Bracket, Strobe Light (OPT) (Prior To SN)
105	21.22895	Strobe Light (OPT) (Prior To SN)
106	21.22894	Harness, Strobe Light (OPT)
107	21.23186	Steering Orbital (Was 21.00008)
108	21.23528	Stand, Foamer Tank
110	21.23308	Motor, Air Compressor
111	21.24152	Floormat
112	21.24665	Retaining Plate, Electric Cover
113	21.24683	Bracket, Beacon Mtg (After SN 21.12715)
114	21.24671	Warning Light, Amber (After SN 21.12715)
115	21.23605.5	Bracket, Reverse Switch (S/N 21.12733 & After)
116	21.23913	Switch, Back-up, w/Connector (S/N 21.12733 & After)

CAB OPTIONAL BRACKETS AND POWER OUTLETS STARTING ON S/N 21.12233



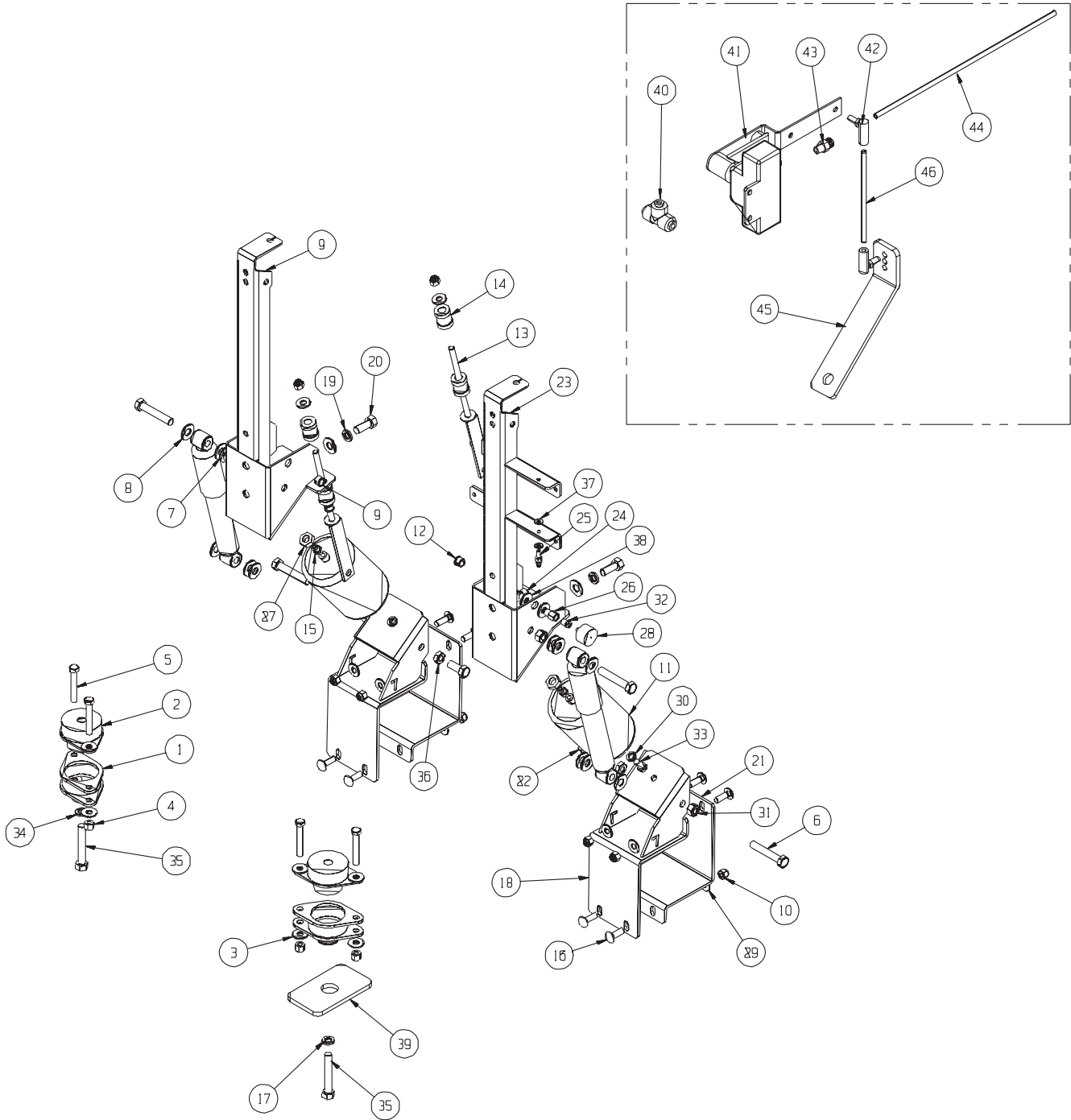
BRACKETS AND POWER OUTLETS
STARTING ON S/N 21.12233

KEY	PART NO.	DESCRIPTION
1	21.22611.5	GPS Antenna Shelf
2	21.22613.5	Mike/Switch Bracket
3	21.22606.5	Light Bar Bracket
4	21.22609.5	Clip
5	21.22607.5	Universal Plate
6	21.22603.5	A-Post Bracket
7	21.21884	Door Bumper
8	21.22614.5	Post, 35"
	21.30910.5	Post, 52"
9	21.22604.5	Shelf
10	21.22608.5	Angle
11	21.21624	Convenience Outlet Plug
11a	21.21496	Kit - Convenience Outlet
12	21.22618	Power Strip
13	21.22619	Power Strip Plug
14	21.22620	Cig. Lighter Adapter
15	21.22686	Shift Boot, 90 Series
16	21.22687	Shift Boot, 50 Series
17	907526	Screw #8-32x1/2 SS (not illustrated)
18	907527	Screw #M5x12 (not illustrated)
19	21.22612	Bracket Comm. Antenna
20	21.00724	Kit - Communications Brackets (includes items 2,4,5,11,19 and hardware)
21	21.00725	Kit - Precision Farming Brackets (includes items 6,8,9,10 and hardware)
22	21.00726	Kit - Light Bars (includes items 1,3,4,5,11 and hardware)
23	09.74203	U-Bolt ¼ x 1 1/8 x 2
NS	21.21624	Harness, Accessory (Was 21.2226)

AIR RIDE KIT

21.22188 FACTORY INSTALLED, 21.22192 FIELD INSTALLED 6 X 6 TUBE,
21.22133 FIELD INSTALLED 7 X 7 TUBE

Kit - Height Control
Factory Installed 21.00740
Field installed 21.00741



AIR RIDE KIT

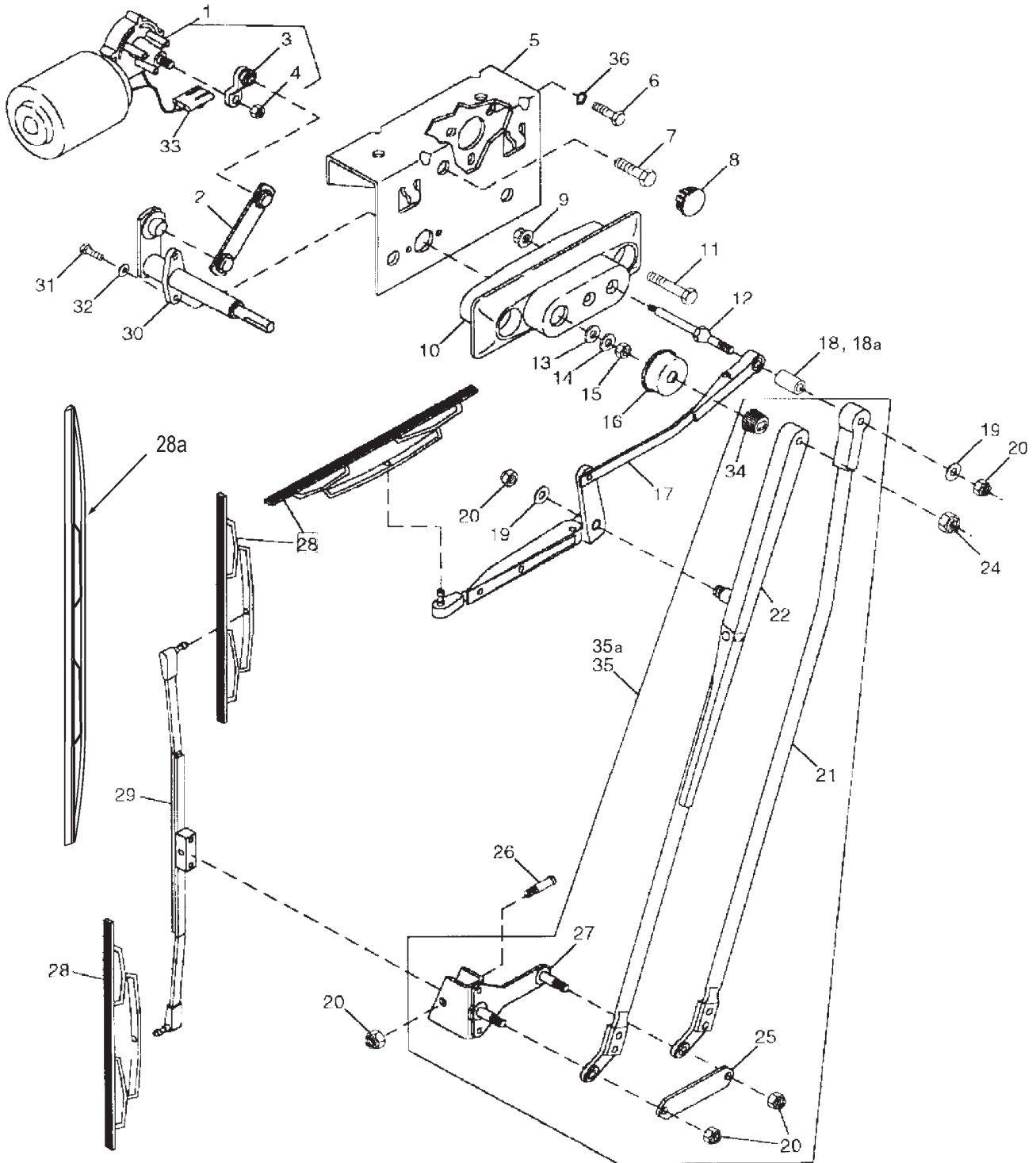
21.22188 FACTORY INSTALLED, 21.22133 FIELD INSTALLED 7", 21.22192 FIELD INSTALLED 6"

KIT HEIGHT CONTROL - 21.00740 FACTORY INSTALLED, 21.00741 FIELD INSTALLED

KEY	PART NO.	DESCRIPTION
1	21.22139	Cab Spacer Wldmnt, Air Ride
2	21.00002	Isolator - Cab
3	900497	Washer, 1/2 Flat
4	906401	HHD Nut, 1/2-13 Nylock
5	903854	HHD Blt, 1/2-13 x 3-1/4 Yellow Zinc
6	907438	HHD Blt, 5/8-11 x 3-1/2 SS
7	21.22135	Shock Absorber - Nitro Cab
8	907396	Washer, 5/8 SS Flat
9	21.21950	Airbag Mount Weldment, RH
10	907392	HHD Nut, 1/2-13 SS Nylock
11	21.22134	Airbag, Nitro Cab
12	21.22154	Bushing, Snap, .63" I.D.
13	21.22030	Stop Weldment - Airbags
14	21.22152	Shock Absorber Bushing - Nitro
15	32.01480	Connector, 1/4" Air Male
16	907338	Carblt, 1/2-13 x 1-1/2 SS
17	900498	Washer, 5/8 Flat
18	21.21951	Airbag Mnt Truss Wldmnt 7'
	21.22190	Airbag Mnt Truss 6"
19	907419	Lockwasher, 5/8 SS
20	2.0112.615.2	HHD Blt - G8.8 M16 - 2 x 40
21	21.22009	Bracket, Airbag, Truss
22	907432	HHD Blt, 5/8-11 x 1-1/2 SS
23	21.21949	Airbag Mount Weldment L.H.
24	32.03307	Cross, 1/4" Air Union
25	21.22158	Inflation Valve, Brass
26	21.22155	Fitting - 1/4 Tube Bulkhead
27	903312	HHD Jam Nut, 3/4-16 Yellow Zinc
28	21.22156	Gauge - 60 PSI 1-1/2 Dia.
29	907395	Washer, 1/2 SS Flat
30	907418	Lockwasher, 1/2 SS
31	907388	HHD Nut, 5/8-11 SS
32	21.22157	Bushing - 1/8 to 1/4 NPT
33	907486	HHD Blt, 1/2-13 x 1 SS
34	900508	Lockwasher, 5/8 Yellow Zinc
35	907088	HHD Blt - G8.8 M16 - 2 x 100
36	907434	HHD Jam Nut, 5/8-11 Fin SS

KEY	PART NO.	DESCRIPTION
37	907379	Washer, SS 5/16 Flat
38	907466	Washer, 1/2 Wide Flat SS
39	21.30345	Washer - SS Cab Snubbing
40	32.01483	Tee
41	21.23125	Valve
42	21.00169	Ball Joint
43	21.00265	Connector
44	11.80528	Tubing
45	21.23126	Brkt. - Height Control
46	21.10020	Rod

WINDSHIELD WIPER

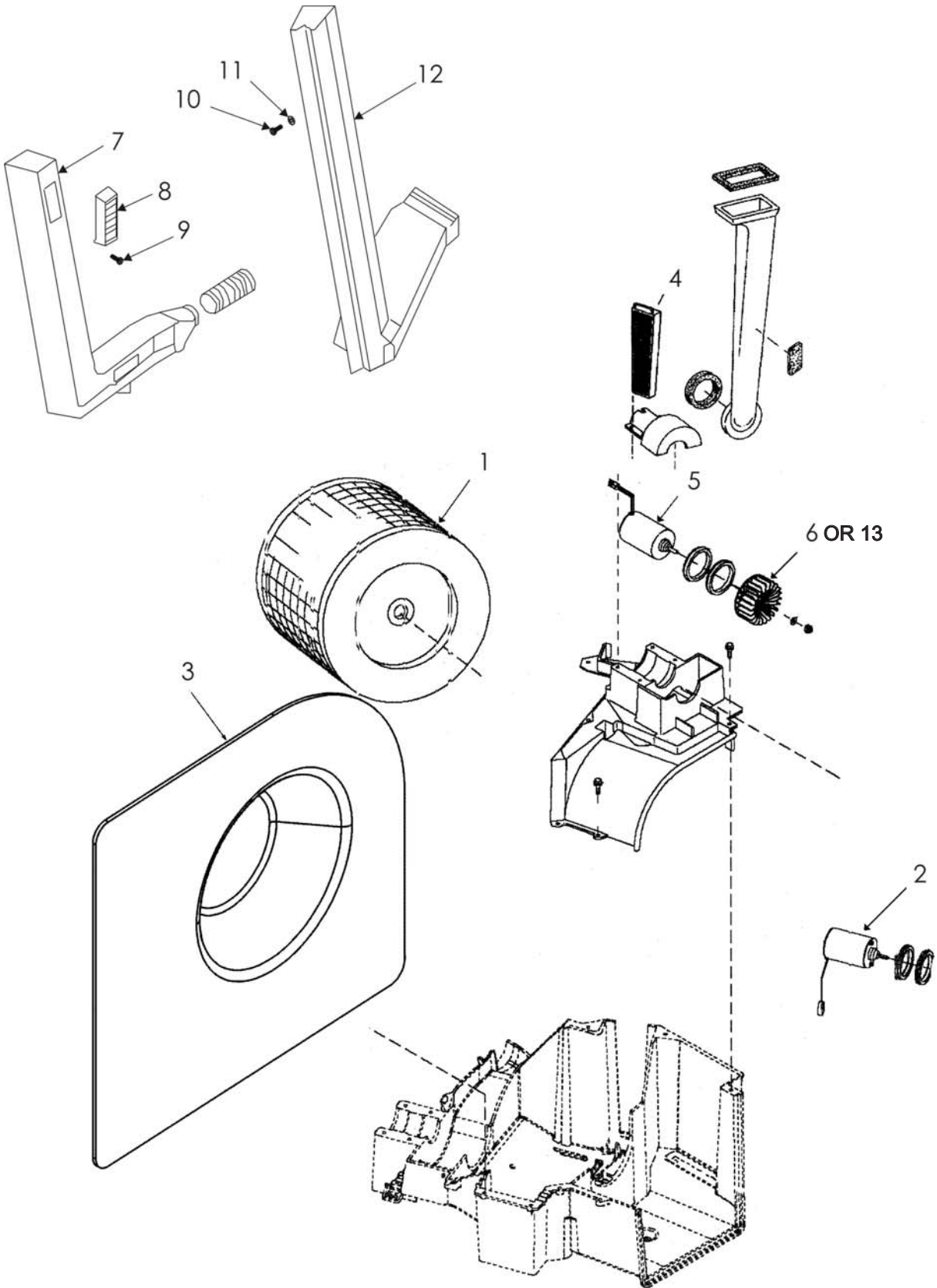


NOTE:
TO UPGRADE TO LONG WIPER ORDER 18A & 35A WITH 28A.

WINDSHIELD WIPER

KEY	PART NO.	DESCRIPTION
1	21.20311	Wiper Motor
2	21.20513	Link
3	21.20514	Crank
4	21.22644	Lock Nut
5	21.22645	Bracket
6	21.22646	Screw
7	21.22647	Screw
8	21.22648	Plug
9	21.22649	Flange Nut
10	21.22650	Support
11	21.22651	Screw
12	21.22652	Stud
13	21.22653	Washer
15	21.22407	Nut
16	21.22655	Cap
17	21.22656	Wiper Arm
18	21.22657	Spacer (2 Piece) (Old Style)
18a	21.24904	Spacer - Long (1 Piece) (New Style)
19	21.22658	Shim
20	21.22659	Lock Nut
22	21.22661	Wiper Arm
24	21.22663	Lock Nut
25	21.22664	Strap
26	21.22665	Screw (Old Style Only)
27	21.22666	Bracket (Old Style Only)
28	21.22667	Wiper Blade (2-Piece) (Old Style)
28a	21.23521	Wiper Blade (1 Piece) (New Style)
29	21.22668	Wiper Arm (Not Used w/ 1 Piece Wiper)
30	21.22406	Shaft
31	21.22669	Screw
32	21.22670	Washer
33	21.22671	Pin Contact Connector Bo.
34	21.22672	Weld Nut
35	21.22673	Wiper Arm (2 Piece) (Old Style)
35a	21.24905	Wiper Arm (1 Piece) (New Style) (Must Buy Complete)
36	21.22674	Lock Washer
NS	21.21488	Switch Slide, 3 Pos Wiper

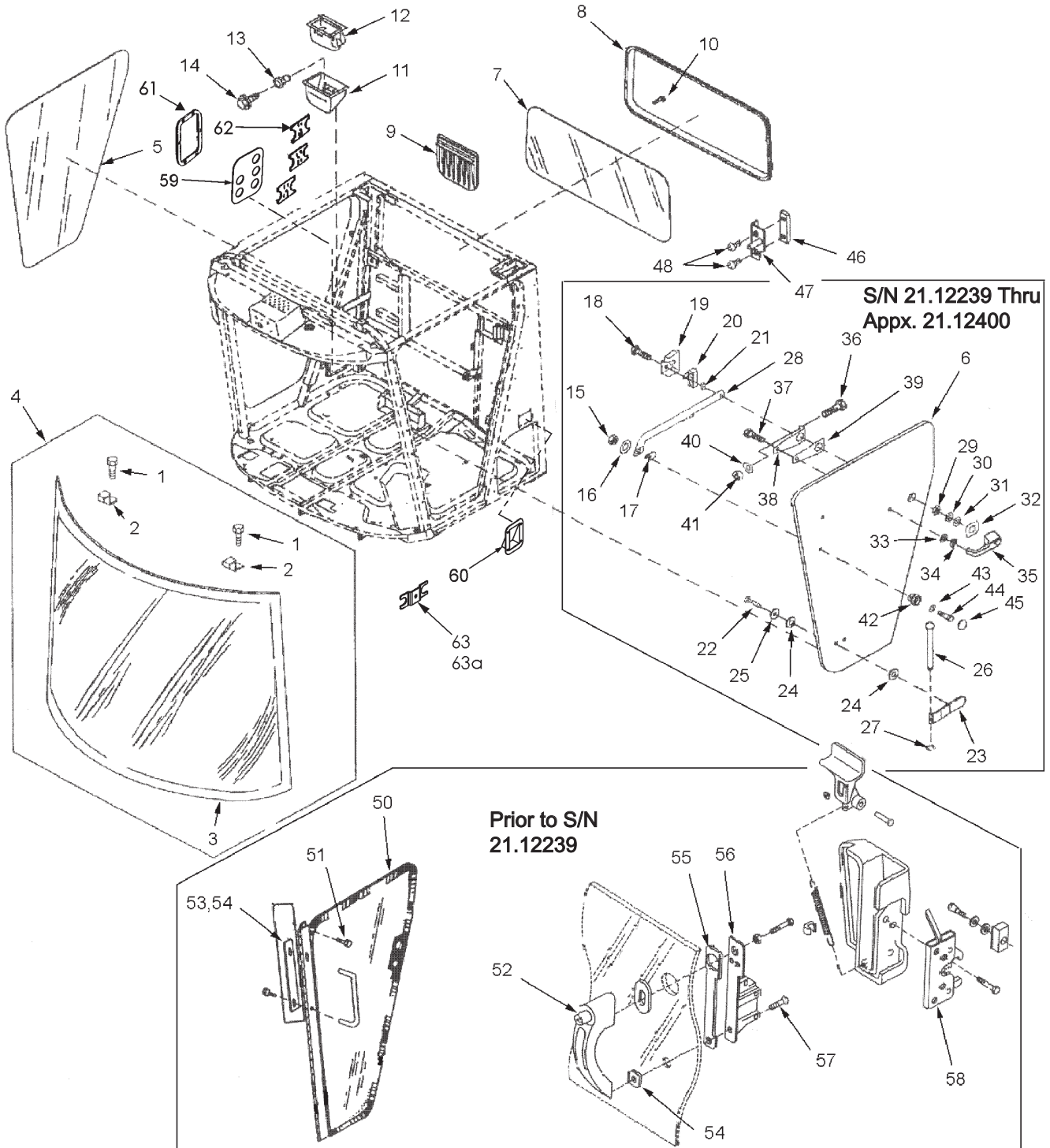
AC & HEATER HOUSING



AC & HEATER HOUSING

KEY	PART NO.	DESCRIPTION
1	21.00955	Air Filter (Charcoal)
2	21.21842	Motor Air Conditioner Heater
3	32.60427	Door, Cab Filter
4	21.21623	Filter - Cab Recirculating
5	21.20482	Motor, Air Conditioner Fan
6	21.20483	Fan
7	32.61815	Air Duct, RH Cab
8	21.23477	Louver, Air Outlet
9	32.61817	Screw, Cab Air Duct
10	32.61824	Screw, Air Duct
11	32.61825	Washer, Air Duct
12	32.61826	Air Duct, LH Cab
13	21.25234	Fan, Air Conditioner Motor

CAB GLASS AND DOOR



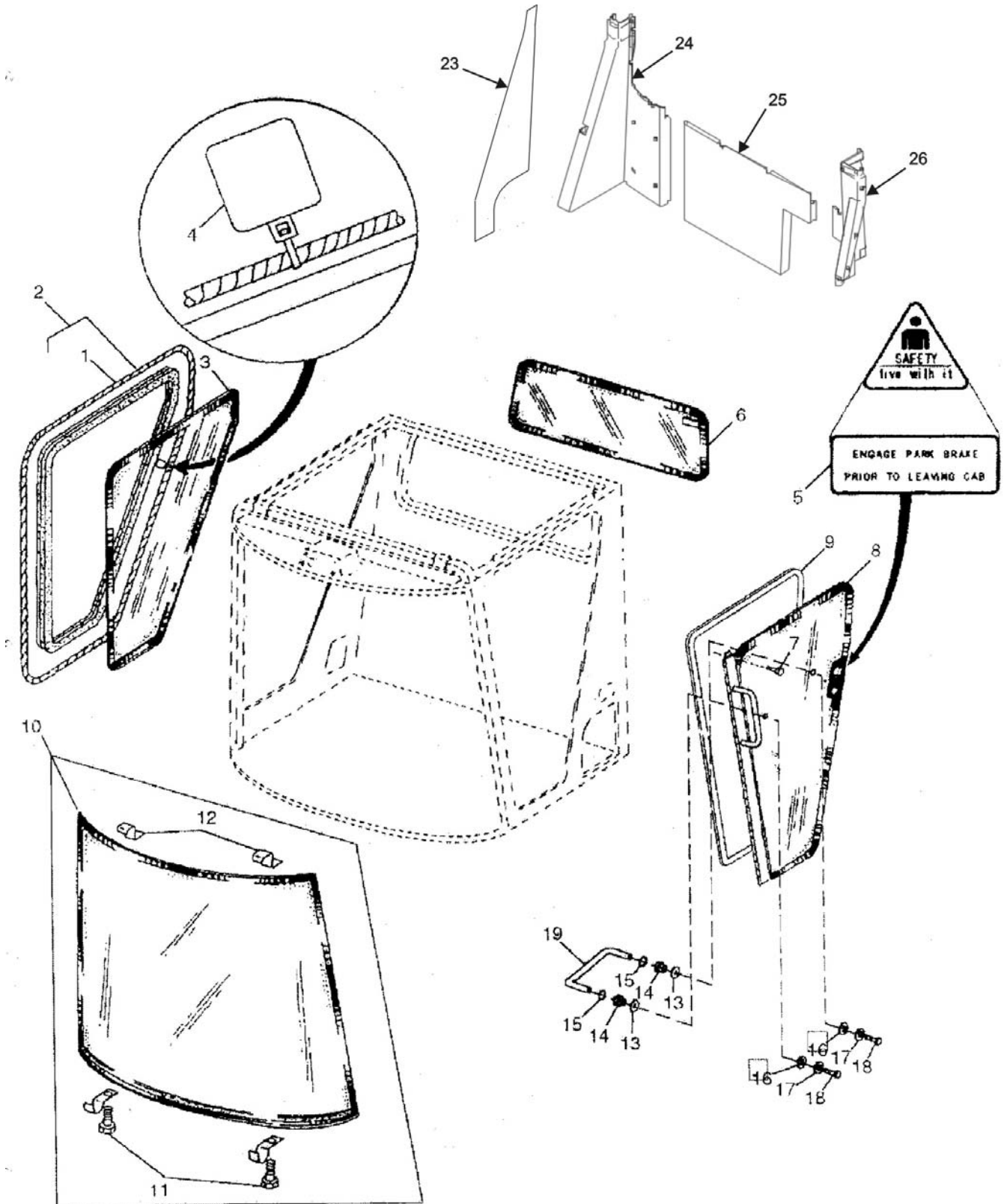
CAB GLASS AND DOOR

KEY	PART NO.	DESCRIPTION
1	21.21691	Screw
2	21.21485	Bracket
3		Windshield
4	21.20068	Kit, Windshield
5	21.21497	Windowpane
6	21.22746	Door
7	21.22754	Windowpane
8	21.22755	Bezel
9	21.22756	Pad
10		Screw
11	21.22757	Housing
12	21.22758	Ashtray
13	2.1011.103.2	Nut
14		Screw
15	892.11008	Lock Nut
16		Washer
17	21.22759	Isolator
18		Screw
19	21.22761	Cover
20	21.22753	Latch
21	21.22762	Bearing
22		Screw
23	21.22763	Hinge
24		Washer
25		Lock Washer
26	21.22764	Pin
27	21.22765	Snap Ring
28	21.22766	Tube
29		Nut
30		Washer
31	21.22767	Bushing
32	21.22750	Gasket
33	21.22768	Gasket
34	21.22748	Bushing
35	21.22747	Handle
36		Screw
37		Screw
38	21.22751	Bracket

KEY	PART NO.	DESCRIPTION
39	21.22752	Spacer
40		Washer
41	892.11008	Lock Nut
42	21.22749	Bushing
43		Washer
44		Screw
45	21.22760	Cap
46	21.22770	Strap
47	21.22769	Striker
48		Screw
50	21.21492	Door (Was 21.20067) (Prior to S/N 21.12239)
52	21.21689	Handle
53	21.21498	Bezel, Lower (Prior to S/N 21.12239)
54	21.21499	Bezel, Upper (Prior to S/N 21.12239)
55	21.21500	Isolator (Prior to S/N 21.12239)
56	21.21754	Support (Prior to S/N 21.12239)
57	21.21691	Screw (Prior to S/N 21.12239)
58	21.21485	Latch (Prior to S/N 21.12239)
59	32.60430	Plate, R.H. Cab Bulkhead
60	32.60429	Retainer L.H. Cab
61	21.24246	Seal, Cab Bulkhead
62	21.31341	Plate -Retainer, Small / Large
	21.24937	Plate - Retainer, Large/ Large (S/N 21.12733 & After)
63	21.31341	Plate, Retainer 37/16 Pin
63a	21.24937	Plate, Retainer 37/37 Pin

CAB GLASS AND DOOR

(SN approx. 21.12401 and up)

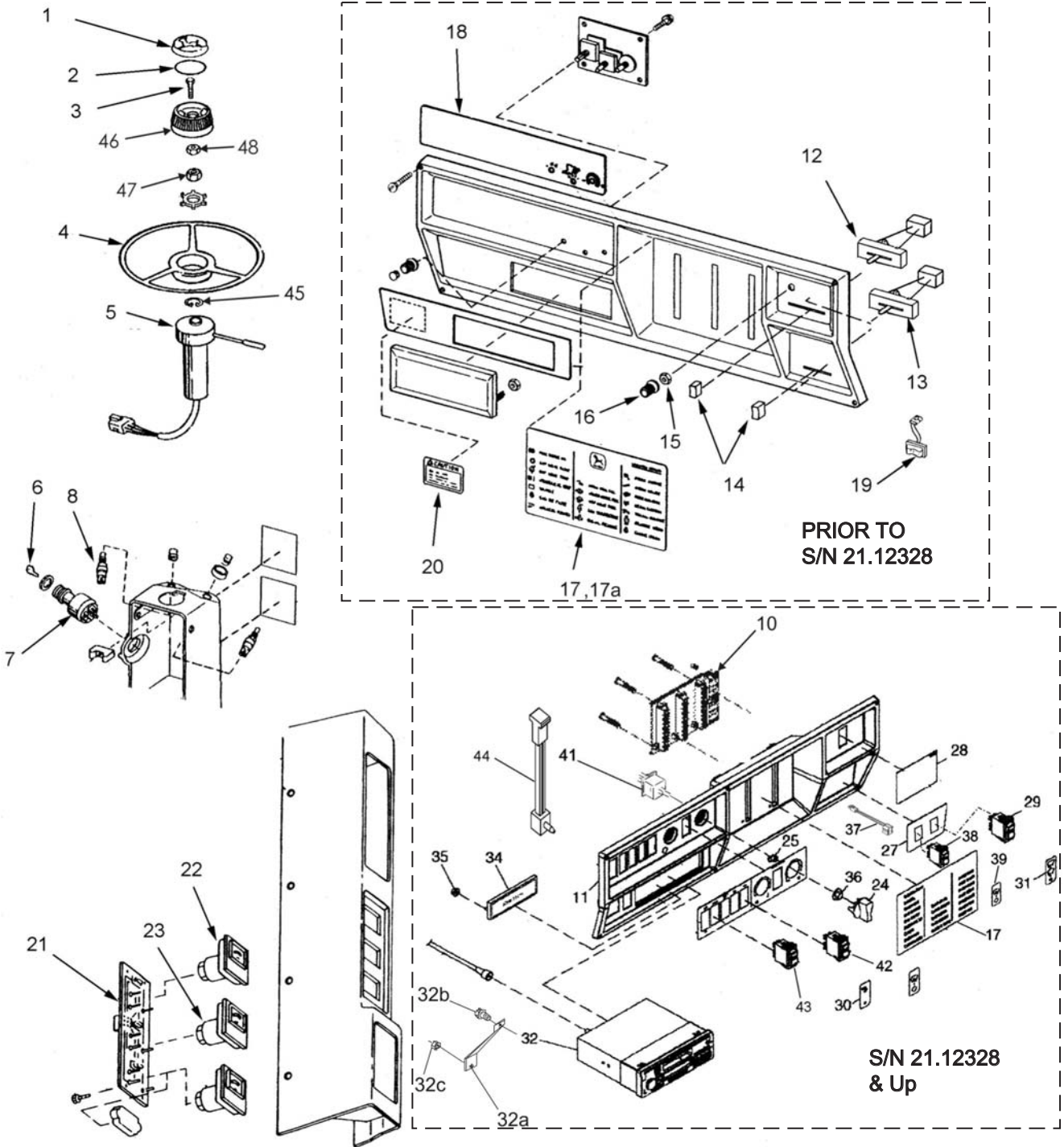


CAB GLASS AND DOOR

(SN approx. 21.12401 and up)

KEY	PART NO.	DESCRIPTION
1		Weatherstrip
2	21.23842	Weatherstrip
3	21.21497	Windowpane
4		Tie Band
5		Label
6	21.22754	Windowpane
7		Screw, M6 x 16
8	21.21492	Door
9	21.23843	Weatherstrip
10	21.20068	Kit
11	21.23844	Screw, M8 x 20
12	21.23845	Bracket
13	21.23496	Washer
14	21.23497	Cap
15	21.23498	Bushing
16	21.23499	Washer
17	21.23500	Washer, 9 x 16 x 1.6mm
18	21.23501	Screw, M8 x 30
19	21.23502	Handle
23	21.24655	Foam Pad
24	21.24656	Panel, Rear, RH, Vinyl
	21.24657	Panel, Rear, RH, Foss
25	21.24658	Panel, Rear, Vinyl
	21.24659	Panel, Rear, Foss
26	21.24660	Panel, Rear, LH, Vinyl
	21.24661	Panel, Rear, LH, Foss

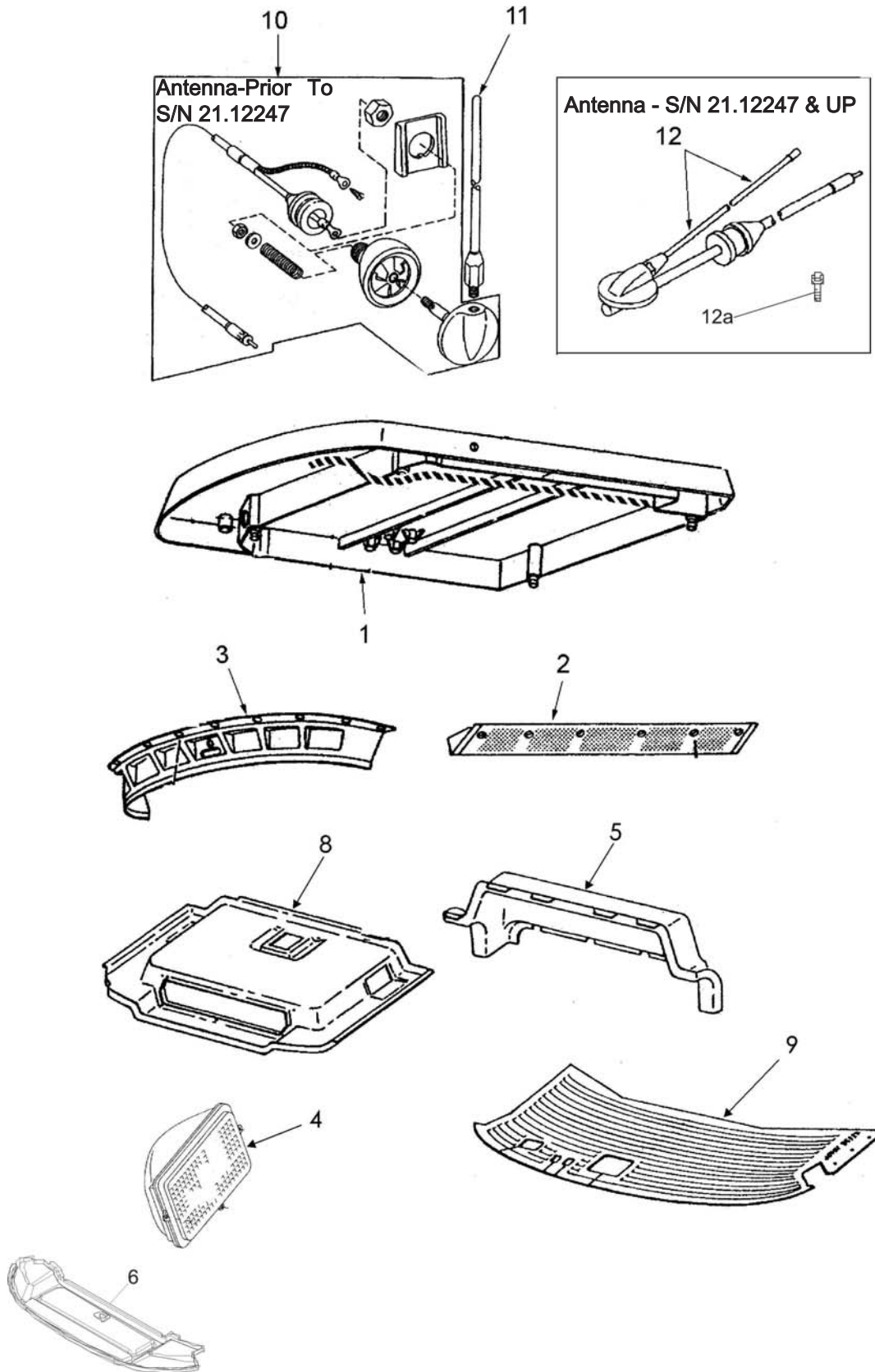
CAB, INTERIOR



CAB, INTERIOR

KEY	PART NO.	DESCRIPTION
1	21.21977	Decal, Steering Wheel
2	21.21976	Steering Wheel Center
3	21.21277	Cap Screw
4	21.22402	Steering Wheel
5	21.20424	Turn Signal Controller
6	21.20810	Key
7	21.20423	Switch, Ignition
8	21.20425	Switch, Ether
10	32.61589	Circuit Board Kit, Overhead
12	21.21487	Switch
13	21.21488	Switch
14	21.21275	Knob
15	21.00025	Nut
16	21.21276	Knob
17	21.24365	Decal (200/2200T/2200TSS & 200HT/2200HT)
	21.21225	Decal (275/2275HT)
17a	21.21503	Panel, Light
18	21.09020	Decal
19	21.21489	Rocker Switch
20	21.21131	Sign
21	21.21486	Circuit Board
22	21.21481	Gauge, Fuel Level
23	21.20379	Temperature Gauge
24	32.61512	Knob, HVAC Fan
28	21.23213	Decal, Graphics Panel H176441
29	21.24073	Switch, Windshield Wiper AH158291
32	32.61509	Radio AM/FM Weatherband
	32.61510	Radio AM/FM Weatherband / Cassette (Opt)
	32.61511	Radio AM/FM Weatherband / CD (Opt)
32a	32.61751	Bracket, Radio Mount
32b	32.61752	Screw, Radio Mount
32c	32.61753	Flange Nut, M5
37	21.23203	Harness, Cab Light Switch
38	21.23204	Switch DPST Off-None-On
39	21.23212	Decal, Label, Road Lights H161938
41	32.61514	Switch, HVAC Fan
42	21.24074	Switch, Working Lights AH158290
43	21.24075	Switch, Hazard/Road/Field (3) AH206706
44	21.24076	Potentiometer AN276582
45	32.61798	Snap Ring, Steering Column
46	21.22109	Knob, Lock
47	32.61799	Nut, M20 Steering Column
48	32.61800	Nut, M8 Steering Column

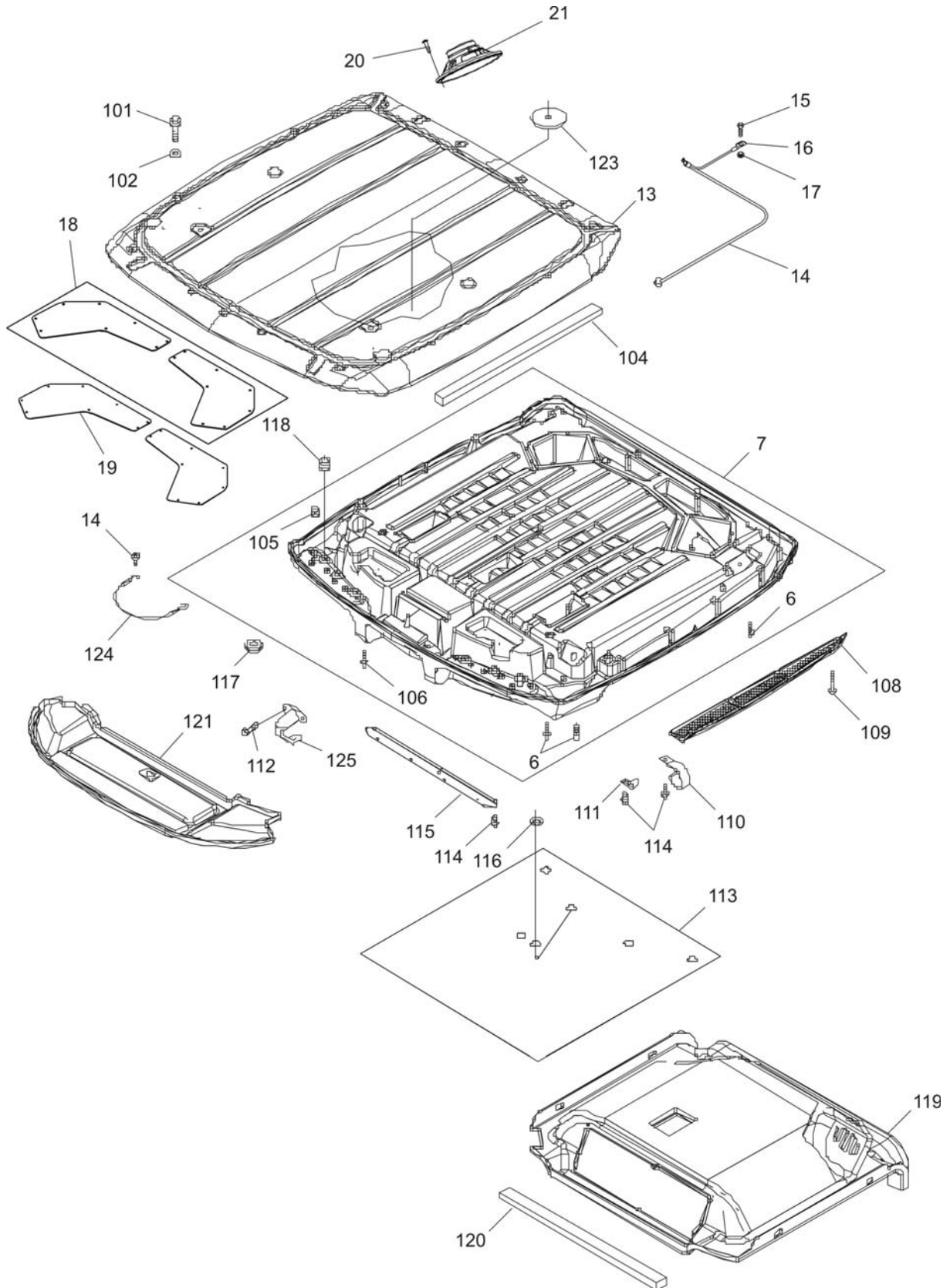
CAB, EXTERIOR THRU SN 21.12656, 21.12658 & 21.12659



CAB, EXTERIOR
THRU SN 21.12656, 21.12658 & 21.12659

KEY	PART NO.	DESCRIPTION
1	21.21479	Roof (S/N Thru 21.12656, 21.12658 & 21.12659)
2	21.21501	Cover (S/N Thru 21.12656, 21.12658 & 21.12659)
3	21.22615	Cover (S/N Thru 21.12656, 21.12658 & 21.12659)
4	21.21491	Middle Lens (S/N Thru 21.12656, 21.12658 & 21.12659)
	21.22401	Outside Lens (S/N Thru 21.12656, 21.12658 & 21.12659)
5	21.21490	Headliner, Rear, Vinyl
	21.24663	Headliner, Rear, Foss
6	21.22102	Headliner, Front, Vinyl
	21.24662	Headliner, Front, Foss
8	21.24195	Headliner, Main, Vinyl
	21.22101	Headliner, Main, Foss
9	21.24152	Floormat
10	21.21806	Kit (pSrior to S/N 21.12247)
11	21.21807	Antenna (prior to S/N 21.12247)
12	21.23548	Antenna (S/N 21.12247 and Up)(Was 21.22771) (Obsolete)
12a	32.61663	Screw, M6 x 12
NS	21.23173	Base Dome Light
NS	21.22615	Cover Cab Light
NS	21.23426	Speaker (S/N Thru 21.12656, 21.12658 & 21.12659)

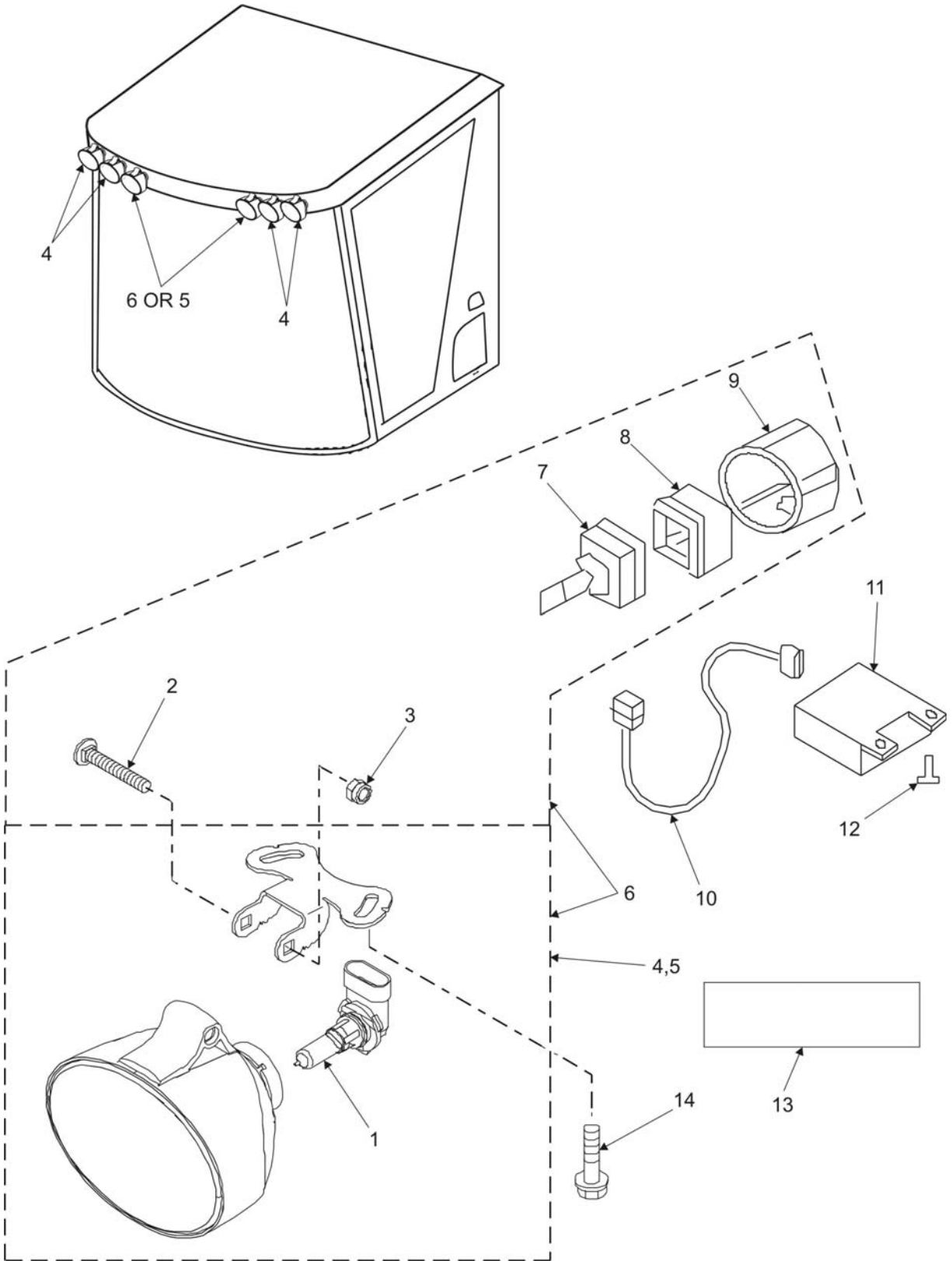
CAB EXTERIOR SN 21.12657 & 21.12660 AND AFTER



CAB, EXTERIOR
SN 21.12657 & 21.12660 AND AFTER

KEY	PART NO.	DESCRIPTION
7	32.61761	Roof, 2006 Lower (S/N 21.12657, 21.12660 & Up)
13	32.61757	Roof, 2006 Outer White
	32.61756	Roof, 2006 Outer Red (S/N 21.12657, 21.12660 & Up)
14	32.61743	Cable, Mobile Radio Antenna
15	32.61744	Cap Screw, Mobile Antenna
16	32.61745	Lockwasher, 8.4mm
17	32.61746	Locknut M8
18	32.61747	Seal, Rear Roof
19	32.61748	Cover, Rear Roof Seal
20	32.61749	Screw, Speaker
21	32.61750	Speaker, Cab Radio
	21.20505	Grille, Speaker
101	32.61754	Screw, Roof Mount
102	32.61755	Washer, Roof Mount
104	32.61758	Isolator, Roof
105	32.61759	Nut, Roof Mount
106	32.61760	Stud, Roof Mount
108	32.61762	Cover, 2006 Side Roof
109	32.61763	Screw, M6 x 20 Roof
110	32.61764	Clamp, 2006 Roof
111	32.61765	Clip, 2006 Roof
112	32.61766	Screw, Cab Hook
113	32.61767	Plate, 2006 Cab Roof
114	32.61752	Screw
115	32.61768	Bracket, 2006 Front Cab Roof
116	32.61769	Washer, 2006 Cab Roof
117	32.61770	Isolator, 2006 Front Cab Roof
118	32.61771	Grommet, 2006 Cab Roof
119	32.61772	Headliner, Deere Cab
120	32.61773	Isolator, Front Cab Roof
121	21.24662	Headliner, Front
123	32.61775	Sealing Washer, 2006 Cab Roof
124	32.61776	Wiring Lead, Cab Roof
125	32.61777	Hook, Cab Roof

LIGHTS, CAB EXTERIOR
SN 21.12657 & 21.12660 & AFTER

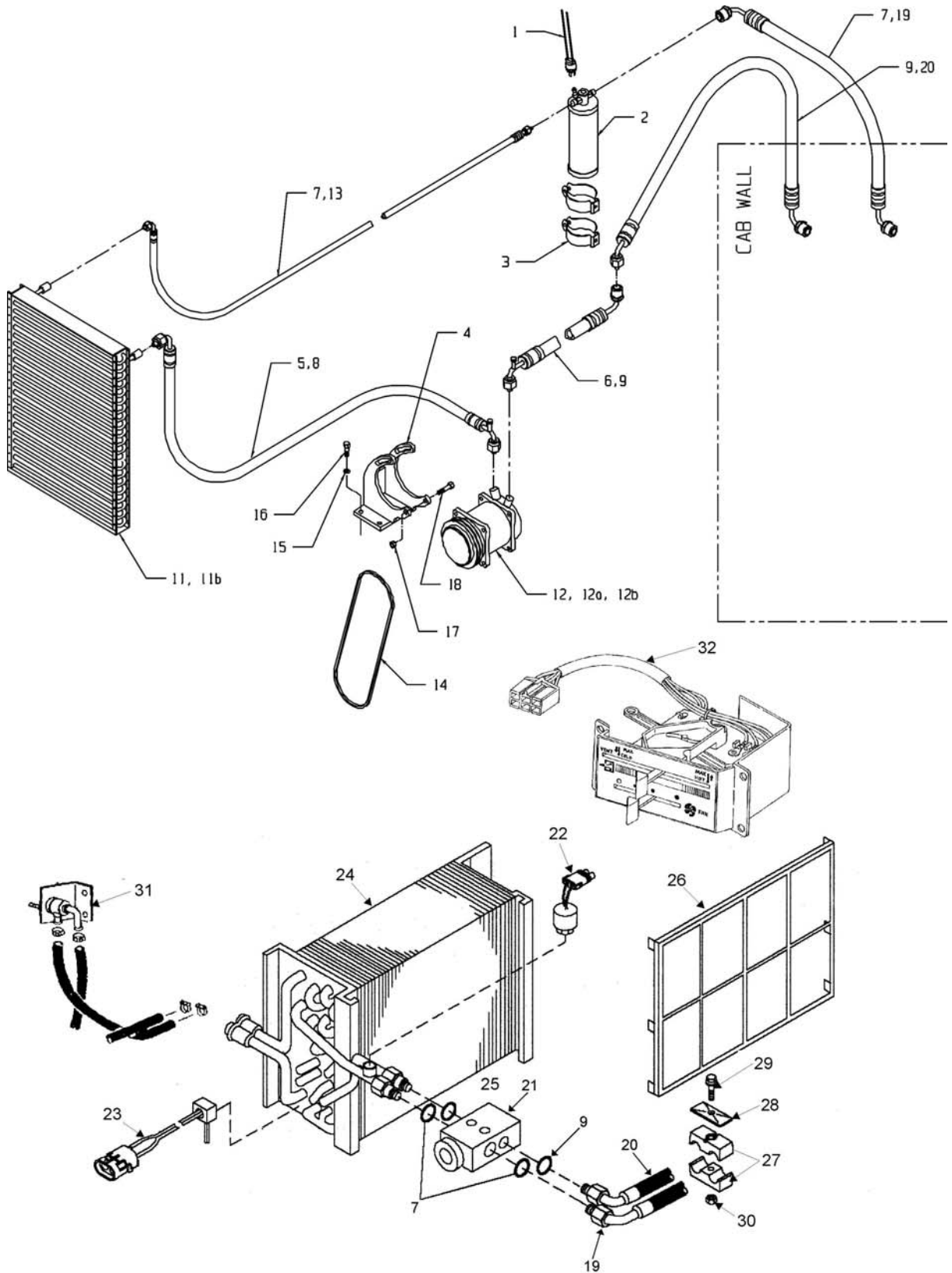


LIGHTS, CAB EXTERIOR
SN 21.12657 & 21.12660 & AFTER

KEY	PART NO.	DESCRIPTION
1	32.61778	Bulb
2	32.61779	Bolt
3	32.61780	Lock Nut
4	32.61782	Lens - Flood Light Cab Roof (Outer Lights - 4)
5	32.61781	Lens - Flood Light Cab Trap (Trap, Center Lights - 2)
6	32.61785	Flood Lamp Assembly - Cab HID (Opt)
7	32.61783	Lamp (HID Only)
8	32.61789	Boot (HID Only)
9	32.61784	Hold-Down Clip (HID Only)
10	32.61787	Headlamp Wiring Harness (HID Only)
11	32.61788	Lamp (High Intensity Discharge Lights, Center Lights - 2)
12	32.61749	Screw (HID Only)
13	32.61786	Safety Sign (HID Only)
14	32.61659	Screw (Std)
	21.23844	Bolt (Hi D Opt)

AIR CONDITIONER

KIT 21.00115 (200/2200T/2200TSS & 200HT/2200HT), KIT 21.20955 (275/2275HT)

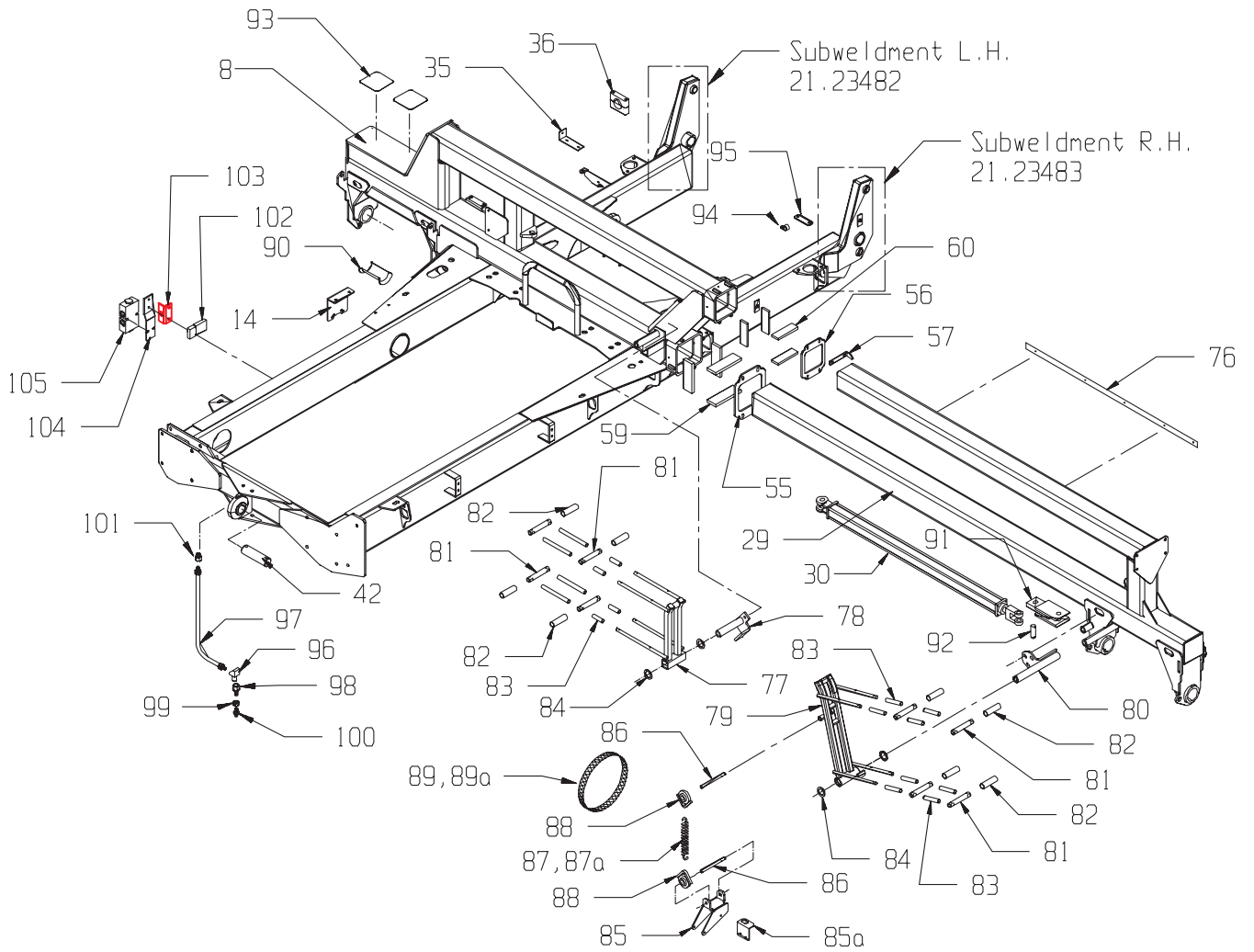


AIR CONDITIONER

KIT 21.00115 (200/2200T/2200TSS & 200HT/2200HT), KIT 21.20955 (275/2275HT)

KEY	PART NO. 200/2200T/2200 TSS & 200HT/2200HT	PART NO. 275/2275HT	DESCRIPTION
1	21.00064	21.00064	High Pres Swt. O@300#, I @ 200#
2	21.00052	21.00052	Receiver Dryer H.D.
3	21.00053	21.00053	Bracket, Receiver Dryer
4	N/A	21.24861.5	Bracket AC Compressor Mount (S/N 21.12733 & After)
	21.21912	N/A	Mounting Bracket
5	21.00059	21.20958	#8 Hose, Cond to Comp 84" 200/2200T/2200TSS, 36" (275/2275HT)
6	21.00060	21.20959	#10 Hose, Comp to Evap 192" (200/2200T/2200TSS), 198" (275/2275HT)
7	21.00061	21.00061	#6 O-ring R134A
8	21.00062	21.00062	#8 O-ring R134A
9	21.00063	21.00063	#10 O-ring R134A
11	21.22350	21.22351	Condenser w/Dryer
11b	N/A	21.22352	Condenser Pkg. Oil / Air / AC / Dry.
12	21.00055	21.00055	Compressor 9.5 cu in dis
12a	21.21221	21.21221	End Cap - Compressor
12b	21.23121	21.23121	Clutch - Compressor
13	21.00058	21.00058	#6 Hose, Dryer to Cond 240"
14	21.24580	21.24580	V-Belt, AC Compressor (S/N 21.12733 & After)
14	21.00057	21.20836	Drive Belt, Compressor
15	895.11010	N/A	Washer - Flat M10
16	907085	N/A	Bolt - M10 - 1.5 x 30mm
17	832.10410	N/A	Nut - Lock M10 - 1.5
18	904422	N/A	Bolt - M10 - 1.5 x 35mm
19	21.21185	21.21185	#6 Hose, Evaporator to Receiver - Dryer
20	21.21200	21.21200	#10 Hose, Comp to Evap
21	21.21729	21.21729	Valve
22	21.23696	21.23696	Switch, A© Low Pressure
23	21.23697	21.23697	Sensor, A© Evaporator temp
24	21.23848	21.23848	Evaporator
25	21.23849	21.23849	Ring R13050
26	21.23850	21.23850	Filter, A© Evaporator
27	21.23851	21.23851	Clamp, Hose #6-#10
28	21.23852	21.23852	Plate, Hose clamp
29	21.23853	21.23853	Screw M8 x 60mm
30	21.23854	21.23854	Flange Nut M8
31	21.23124	21.23124	Valve - Control (Heater)
32	21.23111	21.23111	Control - AC/Heat/Fan

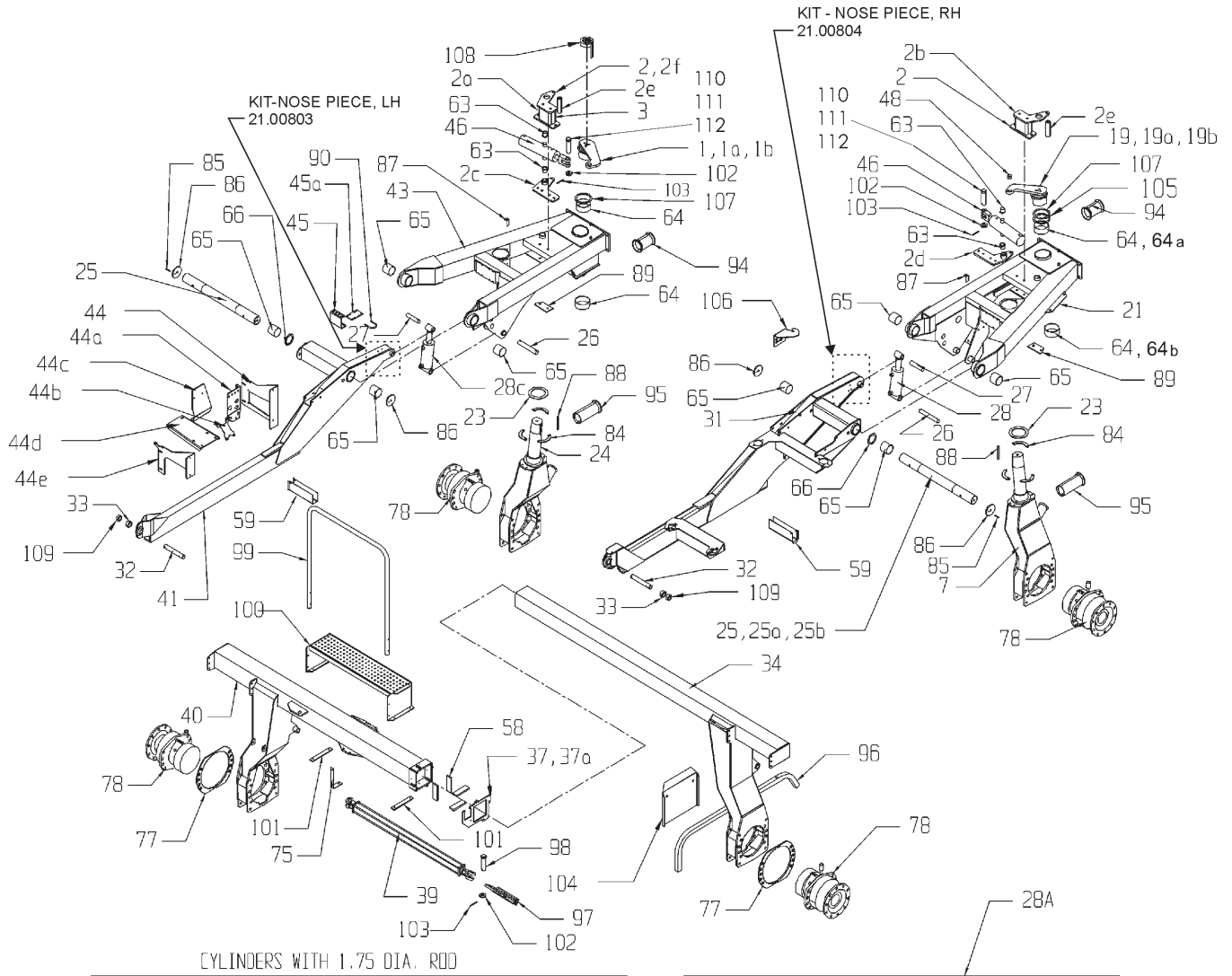
FRAME



FRAME

KEY	PART NO.	DESCRIPTION
8	21.21250	Main Frame (21.10300 prior to S/N 21.12116)
14	21.22227	On/Off Valve Mount (was 21.10678)
29	21.21230	Truss, Ext Weldment (21.10280 prior to S/N 21.12116)
30	21.20005	Cylinder, Front Leg Widening, 3x48x1.5
	21.22219	Piston, 3" Bore
	21.21513	Tie Rod
	21.00540	Seal Kit, 3x48x1.5
	21.00528	Black Rod
35	21.10327	Bracket, Flow Meter Mount (Prior to S/N 21.12191)
36	21.21907	Clamp, 2-3/8" I.D.
42	21.09009	Pin, Rear Axle
54	21.20759	Center Hose Guide (Prior to SN 21.12060)
55	21.21237	Retainer, Slider Block 7"
56	21.20735	Retainer, Slider Block (was 21.10220)(was 21.20398)
57	21.10219	Retainer, Pointer, Slider Block (21.09046)
59	21.00130	Strip, Plastic, Wear, .50 x 2.00 x 5.25
	21.21564	Shim (not illustrated)
60	21.20643	Strip, Plastic Wear, .50 x 2.00 x 4.75
76	21.09048	Decal, Tread Width Indicator
77	21.20760	Inner Hose Guide Weldment
78	21.20756	Mount, Inner Hose Guide Weldment (prior to S/N 21.12116)
79	21.21352	Outer Hose Guide Weldment (21.20761 prior to S/N 21.12116)
80	21.20757	Mount, Outer Hose Guide (Prior to S/N 21.12116)
81	21.20742	Tube, Rd, 1" x 11 Ga CDBW
82	21.20739	Tube, Rd, 1-1/4' x 12 Ga ERW
83	21.20737	Tube, Rd, 13/16" x 14 Ga
84	900514	Machine Bushing
85	21.21270	Spring Holddown Weldment (275/2275HT & 200HT/2200HT)
85a	21.21327	Bracket Hose Retractor (200/2200T/2200TSS)
86	21.21272	Pin, Hose Guide Spring
87	07.05945	Spring (275/2275HT & 200HT/2200HT)
87a	333271B1.7	Spring (200/2200T/2200TSS)
88	07.02975	Pivot Ball
89	21.20874	Strap, Hose Guide
89a	21.22578	Strap, Hose Guide, Short
90	21.20820	Guard, Hose
91	21.20985	Mount, Cylinder 160
92	21.22738	Pin, Clevis 1 x 3-1/4 (Option)
93	21.21475	Tape Anti-Skid
94	21.00340	Clamp, Vinyl 1.50 (SN 21.12223 & After)
	21.00278	Clamp, Vinyl 1.12 (S/N 21.12223 & After)
95	21.21642	Bracket
96	21.22700	Elbow, 45° Street 1/8 NPTF (Used On Machines Prior To S/N 21.12450)
97	21.22704	Hose Assembly, 14" Grease
98	21.22699	Adapter, 1/4-28 x 1/8 NPTF
99	903772	Nut, 1/2-13 Whiz
100	903162	Grease Zerk
101	21.23730	Elbow 45°, 1/4-28 Male x 1/8-27 FPT (Was 21.22702 Prior To S/N 21.12450)
102	21.00090	Flow Divider - 60/40 #8 Ports
103	21.10566	Bulkhead - 60/40 Flow Divider
104	21.21330	Bracket - P.O. Check Mounting (Opt)
105	21.22801	Valve - P.O. Check (Opt) (Was 21.21329)

FRAME (1 OF 2)



CYLINDERS WITH 1.75 DIA. ROD

	(21.20023) CYLINDER WITH FOUR HEX BOLT RETAINER PLATE, USE ENHANCEMENT KIT #21.21209
	(21.20023E) CYLINDER WITH FOUR SOCKET HEAD BOLT RETAINER PLATE, USE SEAL KIT #21.21211
	(21.20827) CYLINDER WITH SPANNER NUT RETAINER, USE SEAL KIT #21.21205
USE ROD #21.00532 WITH ALL THREE CYLINDERS.	

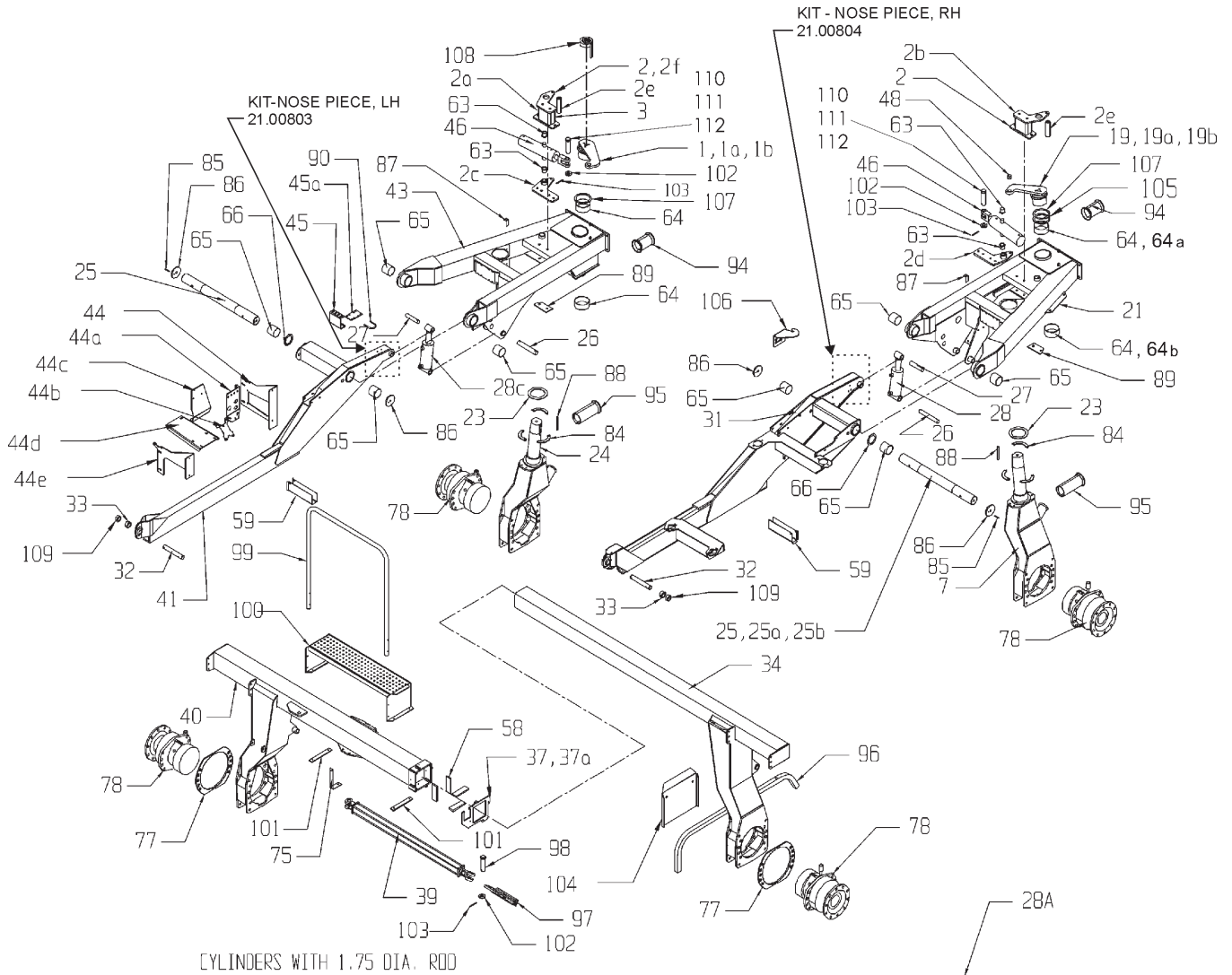
	(21.21510) CYLINDER WITH SPANNER NUT RETAINER, USE SEAL KIT #21.21608
	(21.22831) CYLINDER WITH BRONZE FILLED TEFLON USE SEAL KIT #21.22832
NOTE: NEW SEAL KIT CAN BE USED W/ CYL. DATED AFTER 07-02	
USE ROD #21.21609 WITH BOTH CYLINDERS.	

FRAME (1 OF 2)

KEY	PART NO.	DESCRIPTION
1	21.23157	Arm- Steering LH 2 Key (On S/N 21.12308, 21.12315 & After) (Was 21.09099) (Was 21.22354)
1a	21.23303	Kit - Splined Steering Arm LH (Use on S/N Prior To 21.12308,21.12309-21.12314)
1b	21.23192	Arm-Steering LH Splined (Replacement Part For Machines w/ Update Kit 21.23303)
2	21.00707L	Kit, L.H. Steering Holddown update (includes 2a, 2c, & 2e)
	21.00707R	Kit, R.H. Steering Holddown Update (includes 2b, 2d, & 2e)
2a	21.21404	Holddown, Steering Cyl., Upper LH (Was 21.10094)
2b	21.21403	Holddown, Steering Cyl., Upper RH (Was 21.10093)
2c	21.21406	Holddown, Steering Cyl., Lower LH
2d	21.21405	Holddown, Steering Cyl., Lower RH
2e	21.21410	Tube, Steering Tower Support
2f	21.22218	Foot - Steering Tower (Not Shown) (Used To Hold Old Tower In Place)
7	21.10100	Front Right Leg (Original 200) (Prior To Hose Coming Out Front)
	21.23181	Leg Kit - Frt W/ HDW / Arm RH MS11 (Use On S/N Prior To 21.12308,21.12309-21.12314) (Replaces 21.20596)
	21.23159	Front Right Leg, 2 Key (2200T/2200TSS) (On S/N 21.12308, 21.12315 & After)
	21.23183	Leg Kit - Frt W/ HDW / Arm RH MS18 (Use On S/N Prior To 21.12308, 21.12309-21.12314) (Replaces 21.20033)
	21.23161	Front Right Leg, 2 Key (2200HT / 2275HT) (On S/N 21.12308, 21.12315 & After)
19	21.23156	Arm-Steering RH 2 Key (On S/N 21.12308, 21.12315 & After)(Was 21.09098)(Was 21.22355)
19a	21.23302	Kit-Splined Steering Arm RH (Use On S/N Prior To 21.12308, 21.12309-21.12314)
19b	21.23191	Arm-Steering RH Splined (Replacement Part For Machines w/ Update Kit 21.23302)
21	21.21980	A-Frame Weldment RH (Was 21.10178)
23	21.22018	Spacer, Front Leg 3/16"
	21.22019	Spacer, Front Leg 1/8"

KEY	PART NO.	DESCRIPTION
24	21.10101	Front Left Leg (Original 200) (Prior To Hose Coming Out Front)
	21.23180	Leg Kit - Frt W/ HDW / Arm LH MS11 (Use On S/N Prior To 21.12308,21.12309-21.12314) (Replaces 21.20595)
	21.23158	Front Left Leg, 2 Key (2200T/2200TSS) (On S/N 21.12308, 21.12315 & After)
	21.23182	Leg Kit - Frt W/ HDW / Arm LH MS18 (Use On S/N Prior To 21.12308, 21.12309-21.12314) (Replaces 21.20034)
	21.23160	Front Left Leg, 2 Key (2200HT / 2275HT) (On S/N 21.12308, 21.12315 & After)
25	21.09008	A-frame Pivot Pin
25a	907166	Set Screw 1/2-13 x 1 3/4 Gr. 8
25b	901763	Jam Nut 1/2-13
26	21.09014	Pin, Sus. Cylinder, Lower
27	21.09013	Pin, Suspension Cylinder, Upper
28	21.22831	Cylinder, Suspension (Started on S/N 21.12263)
28a		See Detail for Repair Parts
31	21.10014	Brace, RH Leg Weldment w/ 1.25 Ball Joint (Original 200/2200T/2200TSS model)
	21.21296	Brace, RH Leg Weldment (200/2200T/2200TSS & 200HT/2200HT) (Was 21.20362)
	21.21295	Brace, RH Weldment, 275/2275HT (Was 21.20361)
	21.24288	Brace, RH Leg, Tier III (S/N 21.12733 & After)
32	21.20378	Pin, Leg Brace, 1-7/16 dia.
	21.09012	Pin, Leg Brace, 1-1/4 dia.
33	21.22064	Spacer (Needed to Put New Brace on Old Leg)
34	21.10230	Right Rear Leg w/ 1.25 Hubs (Original 200/2200T/2200TSS Model)
	21.20420	Right Rear Leg w/ 1.44 Hubs (200/2200T/2200TSS)
	21.20052	Right Rear Leg Weldment (200HT/2200HT & 275/2275HT)
37	21.20359	Bracket, Rear Cylinder (S/N 21.12110 & After)
37a	21.20873	Bracket, Rear Cylinder, Use w/ 21.10220 (Prior to S/N 21.12110)
39	21.20007	Cylinder, Leg Widening, Rear Axle, 2.5x48x1.25
	21.21512	Tie Rod
	21.00538	Seal Kit, 2.5x48x1.25
	21.00529	Black Rod
	21.21187	End Cap - Butt
	21.00563	End Cap Shaft End

FRAME (2 OF 2)



CYLINDERS WITH 1.75 DIA. ROD

	(21.20023) CYLINDER WITH FOUR HEX BOLT RETAINER PLATE, USE ENHANCEMENT KIT #21.21209
	(21.20023E) CYLINDER WITH FOUR SOCKET HEAD BOLT RETAINER PLATE, USE SEAL KIT #21.21211
	(21.20827) CYLINDER WITH SPANNER NUT RETAINER, USE SEAL KIT #21.21205

USE ROD #21.00532
WITH ALL THREE CYLINDERS.

	(21.21510) CYLINDER WITH SPANNER NUT RETAINER, USE SEAL KIT #21.21608
	(21.22831) CYLINDER WITH BRONZE FILLED TEFLON USE SEAL KIT #21.22832
	NOTE: NEW SEAL KIT CAN BE USED W/ CYL. DATED AFTER 07-02

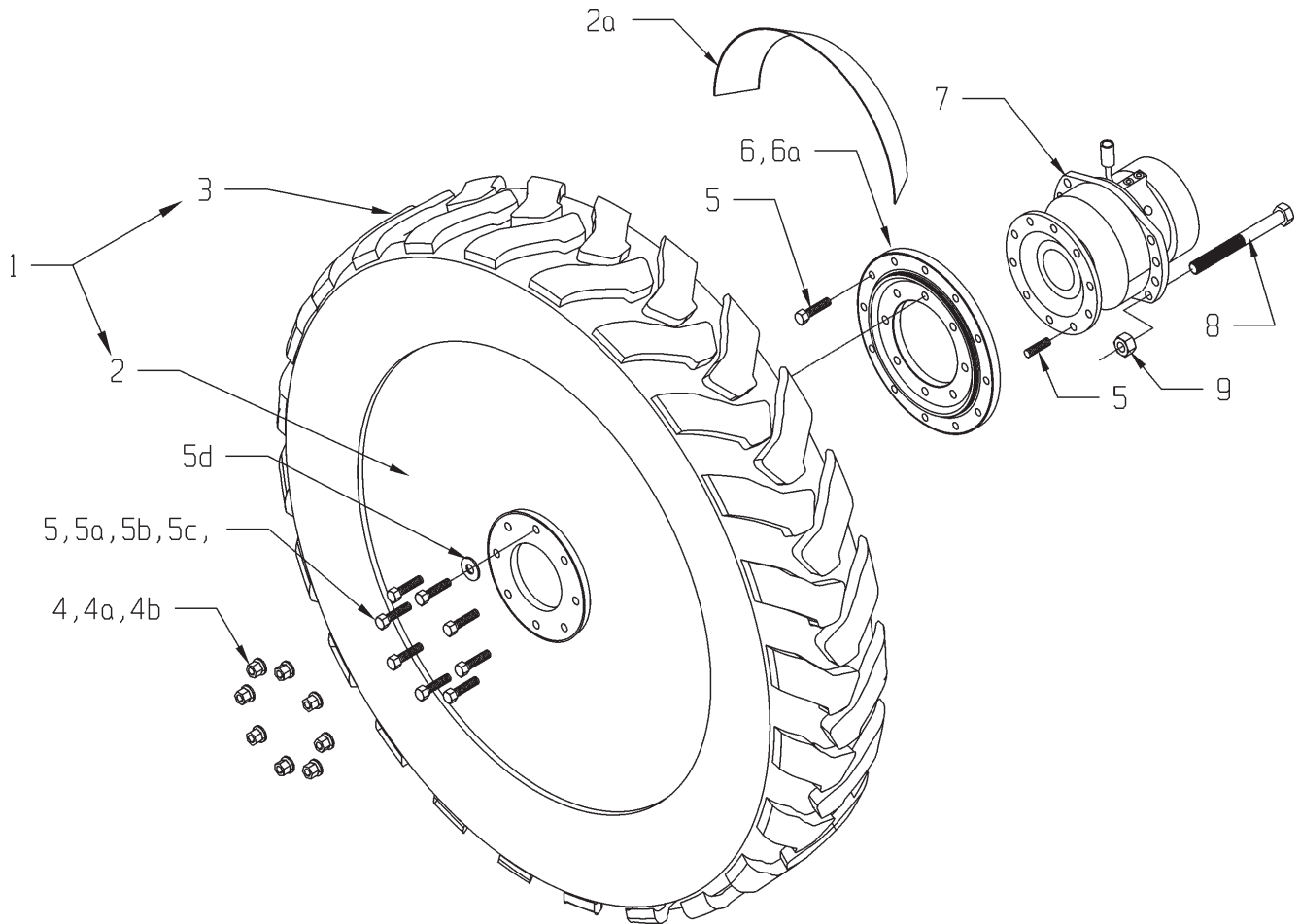
USE ROD #21.21609
WITH BOTH CYLINDERS.

FRAME (2 OF 2)

KEY	PART NO.	DESCRIPTION
40	21.10200	Left Rear Leg w/ 1.25 Hubs (Original 200 Model)
	21.20419	Left Rear Leg w/ 1.44 Hubs (200/2200T/2200TSS)
	21.20051	Left Rear Leg (200HT/2200HT & 275/2275HT)
41	21.10015	Brace, LH Leg Weldment w/ 1.25 Ball Joint (Original 200 Model)
	21.21294	Brace, LH Weldment w/ 1.44 Ball Joint (Was 21.20360)
43	21.21979	A-Frame LH (Was 21.10179)
44	21.22625	Plate, Product Pump (Was 21.20070) (Use 21.22625 Prior To S/N 21.12460)
	21.23608	Plate, Product Pump (S/N 21.12460 & After)
44a	21.23609	Bracket, Quick Fill (S/N 21.12460 & After)
44b	21.23674	Plate, Quick Fill Valve Mount (S/N 21.12460 & After)
44c	21.20968	Plate, Product Pump (Self Priming Pump)(Prior To S/N 21.12460)
	21.23675	Plate, Product Pump (Self Priming)(S/N 21.12460 & After)
44d	21.20967	Plate, Product Pump (Self Priming Pump)(Prior To S/N 21.12460)
	21.23676	Plate, Product Pump (Self Priming)(S/N 21.12460 & After)
44e	21.22882	Bracket, SP Pump Accs (S/N 21.12460 & After)
45	21.21394	Bracket, Product Filter (21.10329 Prior to S/N 21.12110)
45a	21.21855	Spacer (For Standard Size Pump) (Prior to S/N 21.12223)
46	21.22388	Steering Cylinder (Was 21.20022)
	21.22421	Seal Kit, For Cyl. 21.22388 [21.23491 for Cyl. 21.20022 (21.00916)]
	21.00531	Rod
	21.21906	Clevis Asm. (Includes Bushings Item 46g)
	21.00187	Steering Pin (2)
	903708	Washer (2)
	09.72002	Cotter Pin (2)
	21.20392	Bushing - Hardened Tension 1.25 OD x 1.00 ID x .75 LG
48	21.00139	Hardened Bushing
58	21.00130	Strip, Plastic Wear (Rear Leg)
	21.21564	Shim (Not Illustrated)
59	21.21398	Shaft Guard (200HT/2200HT & 275/2275HT)
	21.21864	Shaft Guard (200/2200T/2200TSS)
63	21.00070	Steering Bushing

KEY	PART NO.	DESCRIPTION
64	21.00069	Steering Garmex
64a	21.24276	Sleeve Top
64b	21.24277	Sleeve Bottom
65	21.00068	Pivot Garmex
66	907110	Washer, 3" ID x 4.5 OD x .12
75	21.10556	Bracket, Slow Moving Vehicle Sign (Prior to S/N 21.12223) See Page 54
77	21.21415	Spacer, Hub w/ 1 Angle (200HT/2200HT & 275/2275HT)
	21.21533	Spacer, Hub w/ 1 Angle (200/2200T/2200TSS)
	21.10049	Spacer, ¼ Hub (200/2200T/2200TSS)
78		Drive Motor (See Page 41)
84	21.00129	Segmented Thrust Washer (3 per side)
85	907532	Roll Pin 1/4x1
86	21.09007	Cap, A-Frame Pin
87	21.10002	Accumulator Hold-Down
88	907139	Key - ½ SQ x 4" LG
89	21.10068	Steering Cylinder Hold Down
90	07.05189	2 ½" Muffler Clamp (Was 21.00184)
94	21.00701	Protector, Hose, Bull Ring (Was 21.21267)
95	21.00701	Protector, Hose, Front Leg (Was 21.21193)
96	21.07240	Bracket, Rear Nozzle (Option)
97	21.20982	Mount Cylinder 160 (Option)
98	21.22738	Pin, Clevis 1 x 3 (Option)
99	21.20048	Handrail (Option)
100	21.20061	Rear Step (Option)
101	21.20049	Bar, Rear Step (Option)
102	907530	Washer, 1" SS Flat
103	907429	Roll Pin 7/32x2 SS
104	21.22839	Cover - Drive Motor
105	21.23207	Shim - Front Leg Upper
106	21.20270	Bracket - HI Press Filter Kit (See Hyd Section)
107	21.24027	Seal, A-Frame
108	21.23304	Timing Tool Wdmt, Steering Hub
109	907717	Collar - Shaft, 1 7/16 ID SS
110	21.24758	Pin, Steering
111	907783	Snap Ring
112	903162	Grease Zerk
	907277	HHD Bolt SS 3/8-16 x 1
	907465	Flat Washer 3/8 SS
	907412	Lock Washer 3/8 SS

TIRE, WHEEL & DRIVE MOTOR OPTION (1 OF 2)

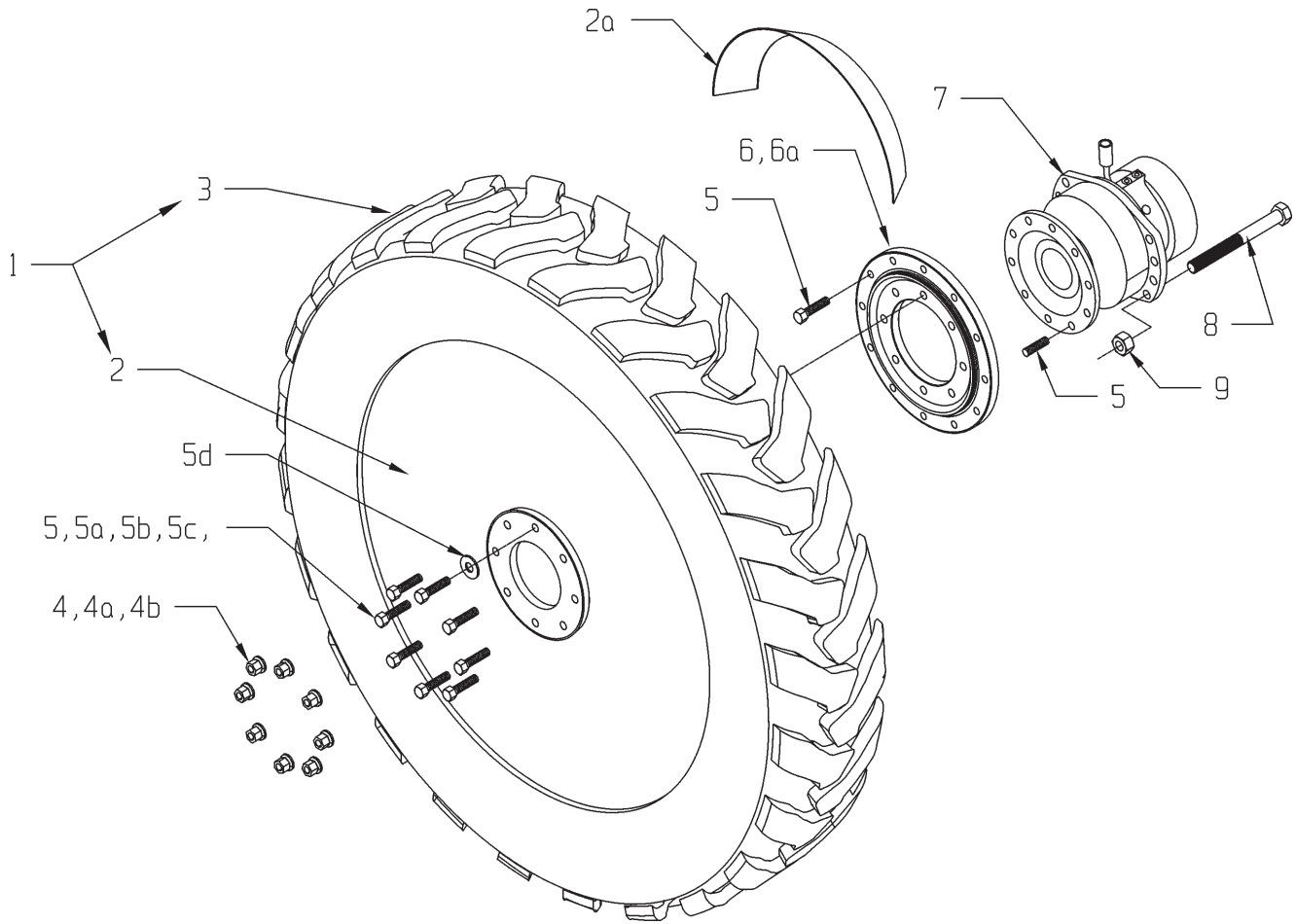


KEY	PART NO.	DESCRIPTION
0	21.22507	Kit MS13 - 8BLT Support/Wheel 46X12 (was 21.00883)
	21.22508	Kit MS13 - 8BLT LH Rebuilt Motor & 46X12 Wheel
	21.22509	Kit MS13 - 8BLT RH Rebuilt Motor & 46X12 Wheel
	21.22627	Kit MS13 - 8BLT Support/Wheel 46X10 (was 21.20157)
	21.22628	Kit MS13 - 8BLT LH Rebuilt Motor & 46X10 Wheel
	21.22629	Kit MS13 - 8BLT RH Rebuilt Motor & 46X10 Wheel
	21.22630	Kit MS13 - 8BLT Support/Wheel 54X10 (was 21.00884)
	21.22631	Kit MS13 - 8BLT LH Rebuilt Motor & 54X10 Wheel
	21.22632	Kit MS13 - 8BLT RH Rebuilt Motor & 54X10 Wheel
	21.22633	Kit MS13 - 8BLT Support/Wheel 38X18 (was 21.00850)
	21.22634	Kit MS13 - 8BLT LH Rebuilt Motor & 38X18 Wheel
	21.22635	Kit MS13 - 8BLT RH Rebuilt Motor & 38X18 Wheel
	21.24486	Poclain MSII Motor Conversion Kit, 8 Bolt Wheel Motor LH w/ Wheel
	21.24487	Poclain MSII Motor Conversion Kit, 8 Bolt Wheel Motor RH w/ Wheel

TIRE, WHEEL & DRIVE MOTOR OPTION (1 OF 2)

KEY	PART NO.	DESCRIPTION
1	21.20679	W&T - 14.9R46X12 5.5" Offset 8 Bolt RH Highway Lug
	21.20680	W&T - 14.9R46X12 5.5" Offset 8 Bolt LH Highway Lug
	21.21396	W&T - 14.9R46X12 5.5" Offset 8 Bolt RH Field Lug
	21.21397	W&T - 14.9R46X12 5.5" Offset 8 Bolt LH Field Lug
	21.21419	W&T - 320/90/R46 4.5" Offset 8 Bolt RH Field Lug
	21.21420	W&T - 320/90/R46 4.5" Offset 8 Bolt LH Field Lug
	21.22581	W&T - 320/90/R54 6.0" Offset 8 Bolt RH Field Lug
	21.22582	W&T - 320/90/R54 6.0" Offset 8 Bolt LH Field Lug
	21.20824	W&T - 20.8R38X18 1.56" Offset 8 Bolt RH Field Lug
	21.20825	W&T - 20.8R38X18 1.56" Offset 8 Bolt LH Field Lug
	21.23400	W&T - 650/65R38 1 9/16 8B RH 157A8
	21.23401	W&T - 650/65R38 1 9/16 8B LH 157A8
	21.23867	W&T - 380/80R38 8 Bolt RH Field Lug
	21.23868	W&T - 380/80R38 8 Bolt LH Field Lug
	21.24426	W&T - 320/90R50 4 1/2 8 Bolt RH
	21.24427	W&T - 320/90R50 4 1/2 8 Bolt LH
	21.24643	W&T - 380/90R50 5.5" 8 Bolt RH
	21.24644	W&T - 380/90R50 5.5" 8 Bolt LH
	2	21.22587
21.22588		Wheel - 46X10 8 Bolt 4.5" Offset
21.22595		Wheel - 54X10 8 Bolt 6.0" Offset
21.21416		Wheel - 38X18 8 Bolt 1.56" Offset
21.21197		Wheel - 38X12 12 Bolt 16.732 BC
21.24396		Wheel 50 x 10 8 Bolt 4.5 Offset
21.24645		Wheel - 50 x 12 8 Bolt 5.5" Offset
2a	21.21293	Cone - Wheel Half Section
3	21.21099	Tire - 14.9R46 8 Star Highway Lug
	21.21368	Tire - 14.9R46 8 Star Field Lug
	21.20954	Tire - 300/95 R46 Tire 4 Star
	21.00887	Tire - 320/90R46 Load Index 148
	21.21226	Tire - 380/90r46, 1W
	21.22596	Tire - 320/90R54
	21.21739	Tire - 270/95R54 Tire 4 Star
	21.20953	Tire - 20.8r38 2 Star
	21.21198	Tire - 380/80r38, 142 Rating
	21.23402	Tire - 650/65R38 (157A8)
	21.31052	Tire - 320/90R50
21.24646	Tire - 380/90R50	
4	21.22066	Package - Lugnuts (8) for Dyna+ Drivemotors
4a	21.23118	Lugnut, Single For Dana+Drive motor
4b	21.00835	Lugnut - For 10 Stud Mount
5	21.20158	Wheel Bolt (Pkg Of 8 #21.20805)
5a	21.21245	Wheel Bolt for speed sensor (was 21.21222)
5b	21.00842	Stud (For 10 Bolt Wheel Motors)
5c	21.22729	Stud (For Dyna Wheel Motors)
5d	21.23154	Washer 22mm x 41mm OD
6	21.20834	Flange - Wheel Adapter (for 54x10 & 38x12 rim) 8 bolt cntr/12 bolt
6a	21.20858	Flange - Wheel Adapter (for 54" rim only) 10 bolt cntr/12 bolt

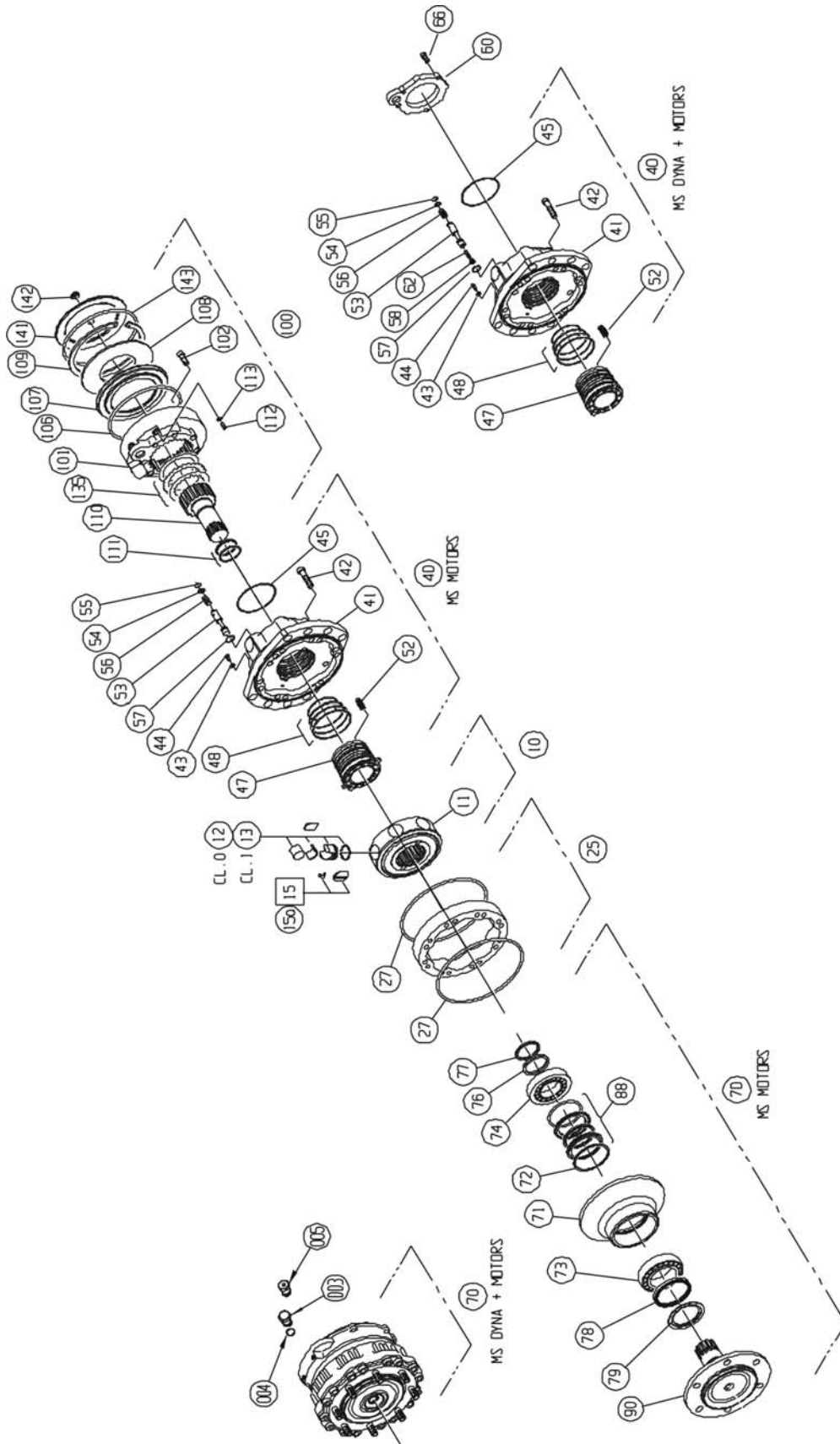
TIRE, WHEEL & DRIVE MOTOR OPTION (2 OF 2)



TIRE, WHEEL & DRIVE MOTOR OPTION (2 OF 2)

KEY	PART NO. 200/2200T/2200TSS (M12)	PART NO. 200HT/2200HT/275- 2275HT (MS18)	DESCRIPTION
7	21.00521R	N/A	Drive Motor LH w/o Brake (10 Bolt) (Rebuilt) N.L.A.
	21.00522R	N/A	Drive Motor RH w/o Brake (10 Bolt) (Rebuilt) N.L.A.
	21.00523R	N/A	Drive Motor LH w/Brake (10 Bolt) (Rebuilt) N.L.A.
	21.00524R	N/A	Drive Motor w/Brake (10 Bolt) (Rebuilt) N.L.A.
	21.20811	21.20551	Drive Motor LH w/o Brake (02 Cam)
	21.20811R	21.20551R	Drive Motor LH w/o Brake (02 Cam) (Rebuilt)
	21.20812	21.20552	Drive Motor RH w/o Brake (02 Cam)
	21.20812R	21.20552R	Drive Motor RH w/o Brake (02 Cam) (Rebuilt)
	21.20813	21.20163	Drive Motor LH w/Brake (02 Cam)
	21.20813R	21.20163R	Drive Motor LH w/Brake (02 Cam) (Rebuilt)
	21.20814	21.20164	Drive Motor RH w/Brake (02 Cam)
	21.20814R	21.20164R	Drive Motor RH w/Brake (02 Cam) (Rebuilt)
	N/A	21.21586	Drive Motor LH w/o Brake (0 Cam)
	N/A	21.21586R	Drive Motor LH w/o Brake (0 Cam) (Rebuilt)
	N/A	21.21587	Drive Motor RH w/o Brake (0 Cam)
	N/A	21.21587R	Drive Motor RH w/o Brake (0 Cam) (Rebuilt)
	N/A	21.21445	Drive Motor LH w/Brake (0 Cam)
	N/A	21.21445R	Drive Motor LH w/Brake (0 Cam) (Rebuilt)
	N/A	21.21446	Drive Motor RH w/Brake (0 Cam)
	N/A	21.21446R	Drive Motor RH w/Brake (0 Cam) (Rebuilt)
	N/A	21.21531	Drive Motor LH 14 Dyna+ (0 Cam) (Red)
	N/A	21.21531R	Drive Motor LH 14 Dyna+ (0 Cam) (Rebuilt)(Red)
	N/A	21.21532	Drive Motor RH 14 Dyna+ (0 Cam)(Red)
	N/A	21.21532R	Drive Motor RH 14 Dyna+ (0 Cam) (Rebuilt)(Red)
	21.22385	21.22720	Drive Motor RH 14 Dyna+ (02 Cam)(Red)
	21.22385R	21.22720R	Drive Motor RH 14 Dyna+ (02 Cam) (Rebuilt)(Red)
	21.22384	21.22719	Drive Motor LH 14 Dyna+ (02 Cam)(Red)
	21.22384R	21.22719R	Drive Motor LH 14 Dyna+ (02 Cam) (Rebuilt)(Red)
	21.23436	21.23436	Drive Motor LH 16 Dyna+ (0 Cam) (Black)
	21.23436R	21.23436R	Drive Motor LH 16 Dyna+ (0 Cam) (Rebuilt) (Black)
	21.23437	21.23437	Drive Motor RH 16 Dyna+ (0 Cam) (Black)
	21.23437R	21.23437R	Drive Motor RH 16 Dyna+ (0 Cam) (Rebuilt) (Black)
	21.23439	21.23439	Drive Motor RH 16 Dyna+ (02 Cam) (Black)
	21.23439R	21.23439R	Drive Motor RH 16 Dyna+ (02 Cam) (Rebuilt) (Black)
	21.23438	21.23438	Drive Motor LH 16 Dyna+ (02 Cam) (Black)
	21.23438R	21.23438R	Drive Motor LH 16 Dyna+ (02 Cam) (Rebuilt) (Black)
8	907078	907078	HHDBLT G5 3/4-10 x 7.5
9	906349	906349	HHDNUT 3/4-10 Nylock
NS	21.22037	21.22037	Plug Cavity (Tow Plug)

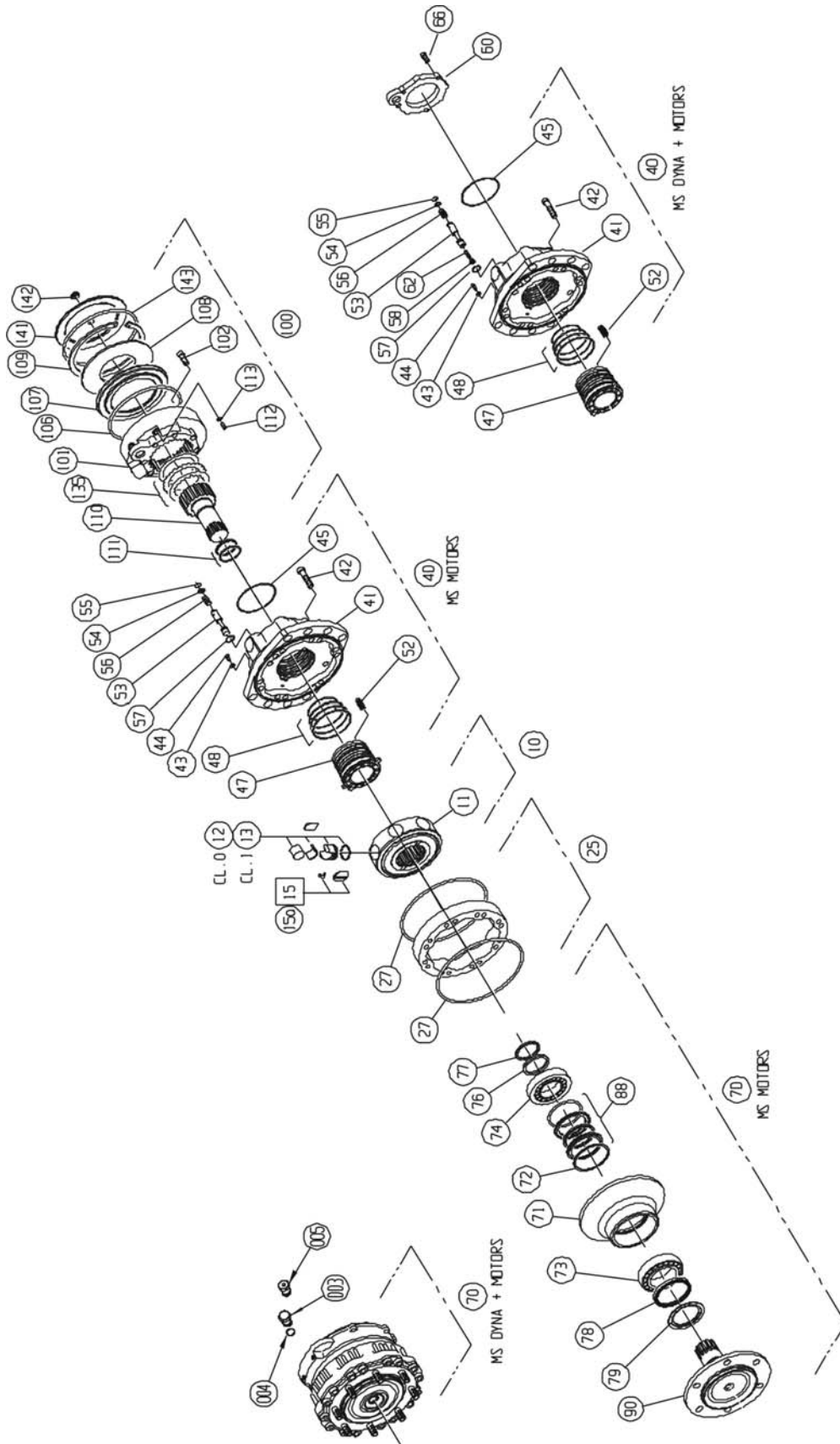
DRIVE MOTOR REPAIR PARTS (1 OF 2)



DRIVE MOTOR REPAIR PARTS (1 OF 2)**SERVICE PARTS**

KEY	PART NO. 200 (MS12)	PART NO. 200HT, 275/2275HT MS18	Dyna +	DESCRIPTION
002	21.22473	21.22472	N/A	Seal Kit, Complete
003	N/A	N/A	21.24397	Plug - Flush Valve w/ O-Rings
004	N/A	N/A	21.24398	Orifice - Nozzle
005	N/A	N/A	21.22037	Plug - Cavity w/ O-Rings
010	21.21123	21.22424	21.22424	Cylinder Block
012	21.22425	21.22425	21.22425	Piston
013	21.22426	21.22426	21.22426	Piston
015	21.22428	21.22427	21.22427	Repair Kit
015a	21.23973	21.23973	21.23973	Clip, Retaining, Piston Guide (New Style)
	21.24063	21.24063	N/A	Clip, Retaining, Piston Guide (Old Style)
025	21.21124	21.21583	21.21583	Cam (2)
-	N/A	21.21582	21.21582	Cam (0)
027	21.21125	21.21684	21.21684	O-Ring
040	21.22430	21.22429	21.24064	Valving Cover Asm.
041	21.22432	21.22431	21.24065	Valving Cover
042	21.22433	21.22433	21.22433	Screw/Bolt
043	21.22434	21.22434	21.22434	Gasket
044	21.22435	21.22435	21.22435	Screw/Bolt
045	21.22393	21.22393	21.22393	O-Ring
047	21.21126	21.21685	21.24066	Valving/Distributor (After Market)
-	000250362H	000250390N	N/A	Poclains #'s For Valving On Production Motors
048	21.22438	21.21683	21.21683	Seal Kit
052	21.22342	21.22342	21.22342	Spring
053	21.22440	21.22439	21.22439	Valve Spool
054	21.22442	21.22441	21.22441	Washer
055	21.22444	21.22443	21.22443	Snap Ring
056	21.22446	21.22445	21.22445	Spring
057	21.22447	21.22447	21.22447	O-Ring
60	N/A	N/A	21.24067	Back Plate
66	N/A	N/A	21.24068	Screw / Bolt
070	21.21174	N/A	N/A	Support (10-Bolt) N.L.A.
-	21.21122	21.21698	N/A	Support (8-Bolt)
-	N/A	N/A	21.23661	Support 14 Brake (Red)
-	N/A	N/A	21.23661R	Support 14 Brake Rebuilt (Red)
-	N/A	N/A	21.24069	Support 16 Brake (Black)
-	N/A	N/A	21.24069R	Support 16 Brake Rebuilt (Black)
071	21.22449	21.22448	N/A	Support
072	N/A	21.22450	N/A	Rubber Seal Ring
073	21.22453	21.22452	N/A	Bearing

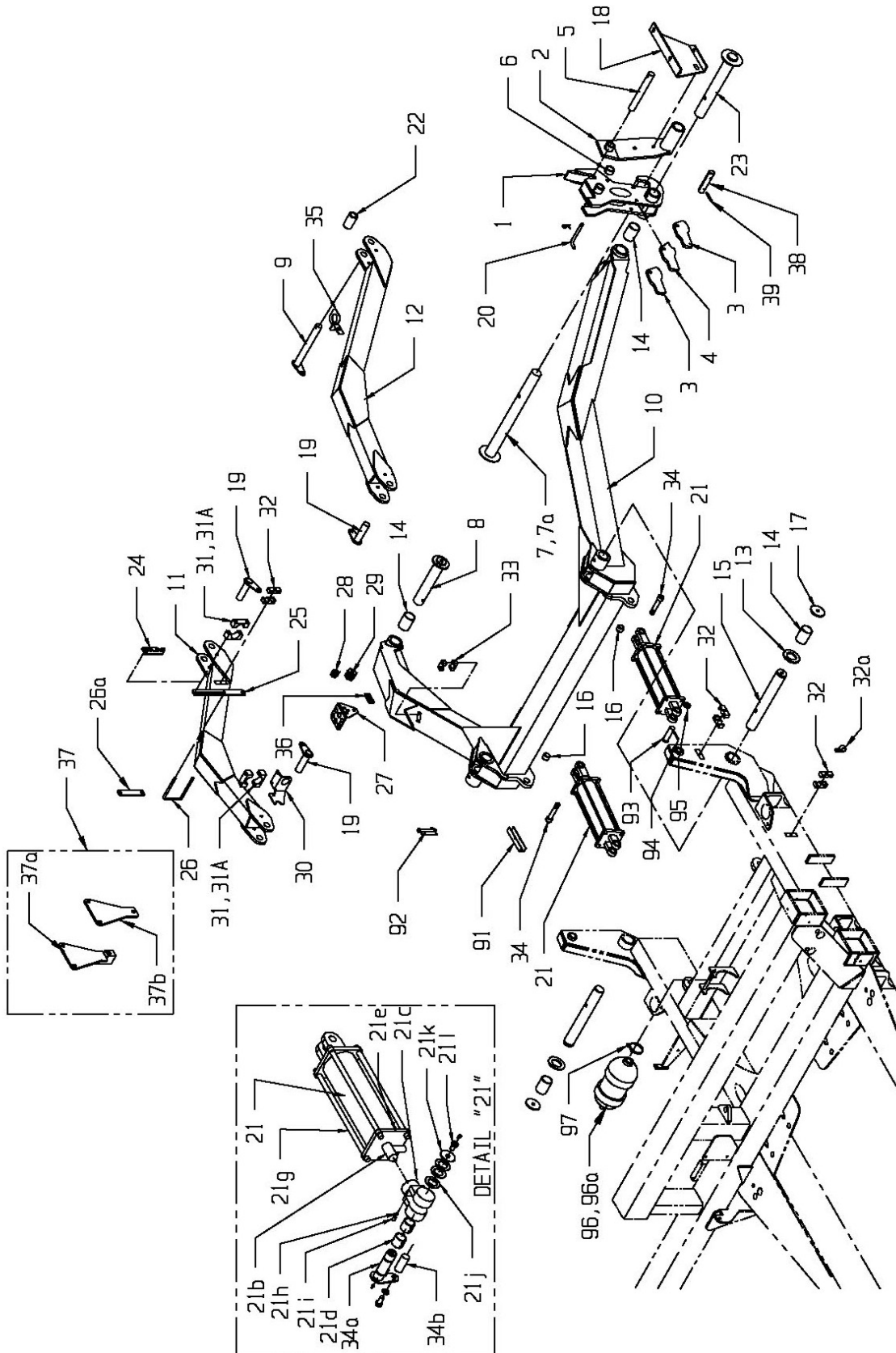
DRIVE MOTOR REPAIR PARTS (2 OF 2)



DRIVE MOTOR REPAIR PARTS (2 OF 2)

KEY	PART NO. 200 (MS12)	PART NO. 200HT, 275/2275HT MS18	Dyna +	DESCRIPTION
-	21.22206	N/A	N/A	Bearing (10-Bolt) N.L.A.
074	21.22207	21.22454	N/A	Bearing
076	21.22456	21.22455	N/A	Center Ring
-	21.22283	N/A	N/A	Snap Ring (10-Bolt) N.L.A.
077	21.22458	21.22457	N/A	Ring - SPLIT (2 PIECES)
-	21.22458.168	21.22457.188	N/A	Ring - (16.8mm MS12) (18.8mm MS18)
-	21.22458.169	21.22457.189	N/A	Ring - (16.9mm MS12) (18.9mm MS18)
-	21.22458.170	21.22457.190	N/A	Ring - (17.0mm MS12) (19.0mm MS18)
-	21.22458.171	21.22457.191	N/A	Ring - (17.1mm MS12) (19.1mm MS18)
-	21.22458.172	21.22457.192	N/A	Ring - (17.2mm MS12) (19.2mm MS18)
-	21.22281	N/A	N/A	Spacer - MS12 7.1mm (.208") (10 Bolt) N.L.A.
-	21.22282	N/A	N/A	Spacer - MS12 7.8mm (.307") (10 Bolt) N.L.A.
078	21.22459	21.22459	N/A	Seal w/ Spacer
	21.24955	21.23260	N/A	Bearing SPT
079	21.22460	21.22460	N/A	Deflector
088	21.22451	21.22461	N/A	Sealing Kit
090	21.22463	21.22462	N/A	Shaft
100	21.22404	21.22464	N/A	Disc Brake
101	21.22466	21.22465	N/A	Brake Body
102	21.22467	21.22467	N/A	Screw/Bolt
106	21.22395	21.22395	N/A	Seal
107	21.22468	21.22468	N/A	Brake Piston
108	21.21669	21.21669	N/A	Spring Washer
109	21.21670	21.21670	N/A	Snap Ring
110	21.21687	21.21668	N/A	Shaft
111	21.21688	21.21671	N/A	Seal
112	21.22435	21.22435	N/A	Screw/Bolt
113	21.22471	21.22471	N/A	Gasket
135	21.21626	21.21626	N/A	Brake Disc Kit
141	21.00857	21.00857	N/A	Cover / Protector
142	21.21141	21.21141	N/A	Plug
143	21.21140	21.21140	N/A	O-Ring
-	21.21602	21.21602	N/A	Environmental Cover Asm. (Includes 141-143)

LIFT ARMS & ATTACHMENTS (1 OF 2)

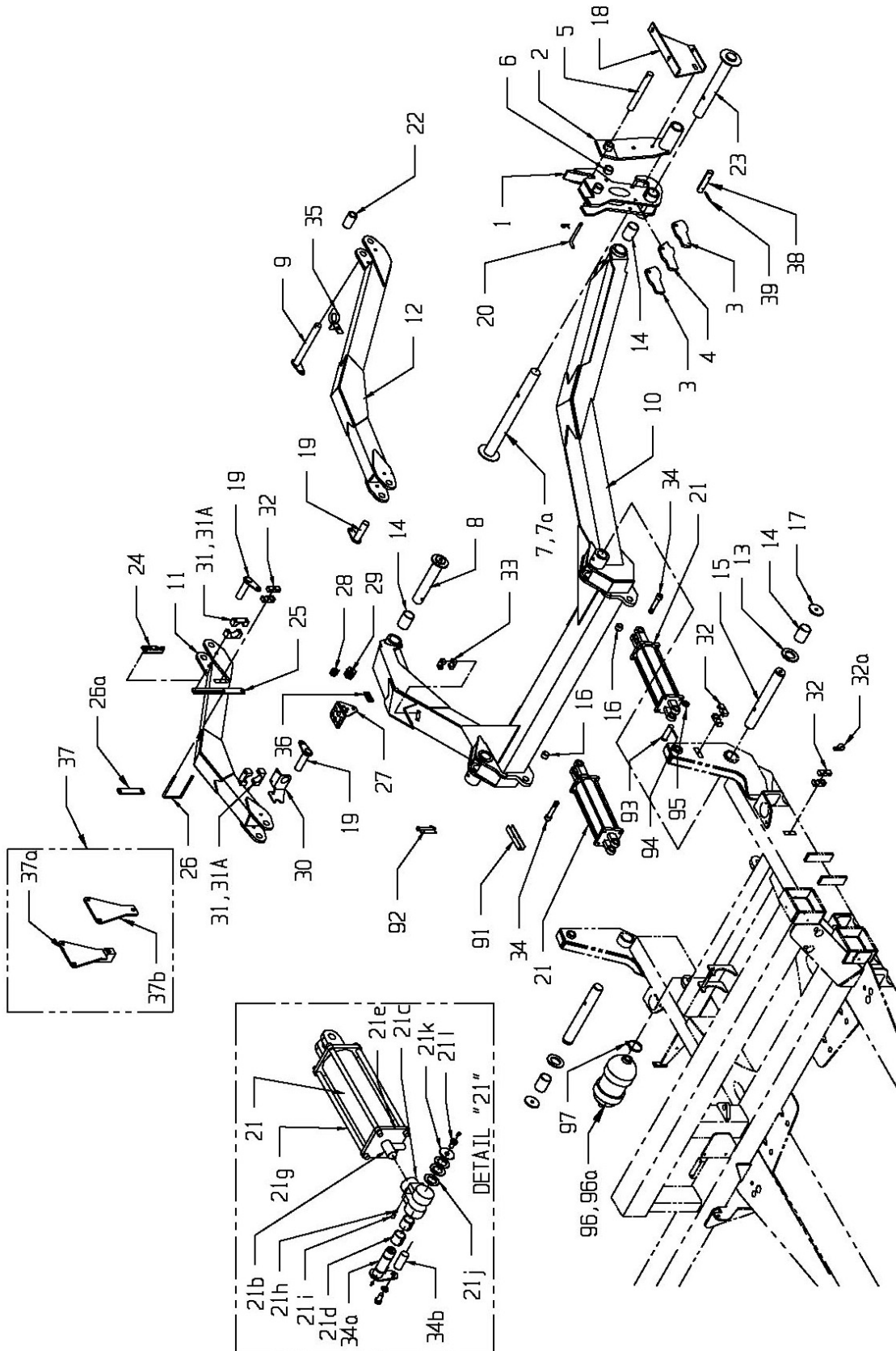


LIFT ARMS & ATTACHMENTS (1 OF 2)

STANDARD ATTACHMENT PARTS

KEY	PART NO.	DESCRIPTION
8	21.08325	Pin Lower Arm 2" Dia. (Was 21.08060)
10	21.08300	Lower Lift Arm, Late Model Hd
	21.08100	Lower Lift Arm, Early Model Std
11	21.08330	Upper Lift Arm Left, Late Model Hd
	21.08003	Upper Lift Arm Left, Early Model Std
12	21.08329	Upper Lift Arm Right, Late Model Hd
	21.08002	Upper Lift Arm Right, Early Model Std
13	12.10078	Washer, Flat, 2.08 x 3.50 x .25
	21.22597	Washer, SS Flat, 2.08 x 3.50 x .10
14	21.00145	Lift Arm Garmex
15	21.08050	Pin, Lower Lift Arm Rear
16	21.00139	Hardened Bushing (Prior to S/N 21.12295) (Obsolete)
17	21.10648	Cap, Lower Lift Arm
19	21.08052	Pin, Weldment Upper Lift Arm, Short 1.25Ø
21	21.20006	Cylinder, Lift 3.5x12x1.25 (Black) w/o Pins (On Machines W/O Dyna+ Drive Motors) (Prior To S/N 21.12295)
	21.22080	Cylinder, Lift 3.5 x 12 x 1.25 (On Machines W/ Dyna+ Drive Motors) (Prior To S/N 21.12295)
	21.23145	Cyl. W/o Pins (For Machines w/o Dyna+Drive Motors) (S/N 21.12295 & After)
	21.23146	Kit-Cyl. Update (For Machines w/o Dyna+Drive Motors) (Prior To S/N 21.12295) Includes All Parts In Detail 21
	21.23144	Cyl. W/o Pins(For Machines w/ Dyna+Drive Motors) (S/N 21.12295 & after)
	21.23147	Kit-Cyl. Update (For Machines w/ Dyna+Drive Motors) (Prior To S/N 21.12295) Includes All Parts In Detail 21)
21a	21.00546	Seal Kit, 3.5x12x1.25 (Black or Chrome)
21b	21.00530	Black Rod (replaces chrome)
21c	21.00952	Clevis Rod End w/ Bushings (Prior To S/N 21.12295)
	21.22960	Clevis-w/ Bushings (S/N 21.12295 & After) (Was 21.00952)
	21.00739	Kit-Clevis Update (Prior To S/N 21.12295) Includes #21c,21d,21h,21i,21j,21k,21l,34a & 34b
21d	21.22907	Bushing - 1.25 ID (Was 21.22961)(2/Clevis)(Was 21.20392 Bushing 1" ID Prior To S/N 21.12295)
21e	21.20320	End Cap w/Bushing
21f	21.20321	Wear Ring, 1.25 ID Garlock (Not Shown)
21g	21.22228	Tie Rod
21h	21.23142	Plug-Set Screw (Plastic)
21i	905582	Screw-Set 3/8-16x1/2
21j	900512	Machine Bushing-1 ¼
21k	900491	Washer-Spec 2" OD .52 ID
21l	21.23143	Bolt-Fitting Adapter
25	21.21651	Bracket, Lift Arms (Was 21.08412)
26	21.21652	U-Bolt (Was 07.05492)
26a	21.24260	Bracket - Hose Clamp
30	21.20120	Bracket, Socket Mounting
31	21.20129	Clamp, Plastic 1.75" Hose
	21.20125	Clamp, Plastic 2" Hose And All (3000 Series)
32	21.20131	Clamp, Smooth, Twin, 3/8 x ½ Pipe (Prior To 3000 Series)
	21.23681	Clamp, Twin .84 (3000 Series)
32a	21.00278	Clamp, Vinyl 1.12"
33	21.20160	Clamp Body, PPH ½ Pipe
34	21.20429	Screw, Socket Shoulder (Prior To S/N 21.12295) (Obsolete)
34a	21.22963	Pin-Lower Lift Arm (S/N 21.12295 & After)
34b	21.22964	Boss-Lower Lift Arm (Weld On Part, comes w/ Update Kits)
35	21.22091	Bracket Socket Mount (on S/N 21.12191 & Up)
91	21.09031	Safety Linkage (2)
92	907470	Pin Clip (2) (Was 907107 Prior To S/N 21.12247)
93	21.22738	Clevis Pin 1x3-1/4
94	907429	Roll Pin 7/32x2 SS
95	907530	Washer 1" SS Flat
96	21.25076	Kit-Tilt Accumulator Replacement (Prior To SN 21.12687)
	21.31537	Accumulator 85CI (SN21.12687 & After)
96a	907771	Orifice, Disk .203"
97	21.00190	T-Bolt 5.6
	21.31538	Clamp - 85cc (1.4) Accumulator
	21.23745	Bracket Accumulator (Part Of Kit 21.25076)

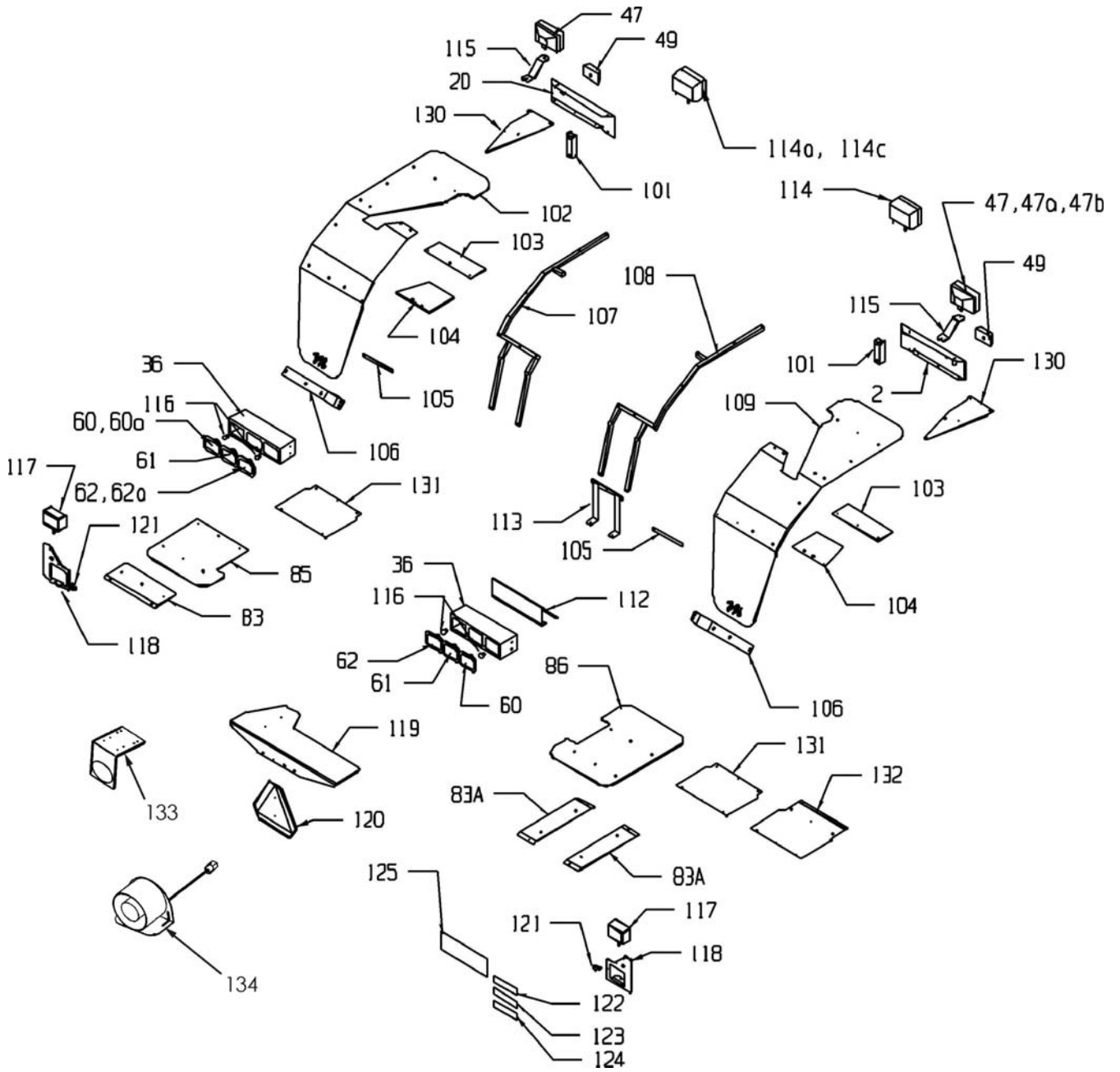
LIFT ARMS & ATTACHMENTS (2 OF 2)



LIFT ARMS & ATTACHMENTS (2 OF 2)**QUICK ATTACH OPTIONAL PARTS
(21.00635 FACTORY INSTALLED)
(21.00689 FIELD INSTALLED)**

KEY	PART NO.	DESCRIPTION
1	21.22266	Quick Attach Weldment (Was 21.08350)
2	21.08360	Brace Weldment, Lower Center Section Pin
3	21.08356	Cam Outer Quick Attach
4	21.08357	Cam Inner Quick Attach
5	21.08370	Pin Upper, Quick Attach
6	21.08369	Collar, 1-1/4Ø Pin
7	21.08365	Pin Weldment, Quick Attach Long 2"Ø
7a	21.24416	Pin, Quick Attach (22.06" Pin Length Under Head)
9	21.08367	Pin Weldment, Upper Lift Arm, Long 1.25"Ø
18	21.07511	Receiver, RH
	21.07510	Receiver, LH
20	02.16500	Pin, Pull, 1/2" with Clip
22	21.05120	Hub, Lift Arms
23	21.08410	Pin Weldment, Lower Q-Attach
24	21.08413	Bracket, 2" Stubby
27	21.20132	Bracket, Air Lines
28	32.01495	Fittings, Bulkhead 1/4" Thermoplastic
29	32.01496	Fittings, Bulkhead 3/8" Thermoplastic
36	21.22215	Spacer, Stauff Weld Plate
37	21.24290	Kit, Boom Lift Arm Stop
37a	21.24253	Stop Weldment, Lift Arm
37b	21.24254	Plate, Inside Clamp
38	24.24418	Pin, Cam Holder
39	907744	Pin, SS Roll 5/31 x 1 1/4

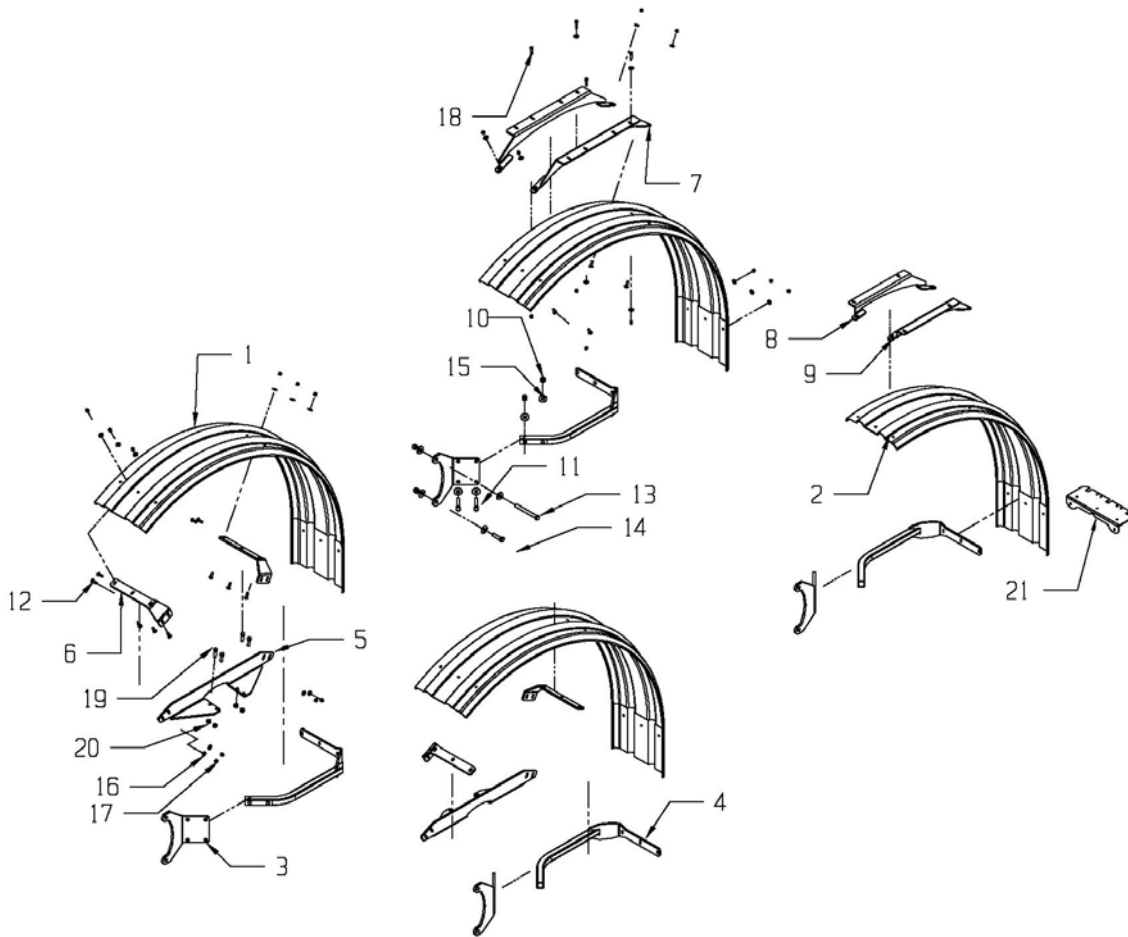
FENDERS & RELATED



FENDERS & RELATED

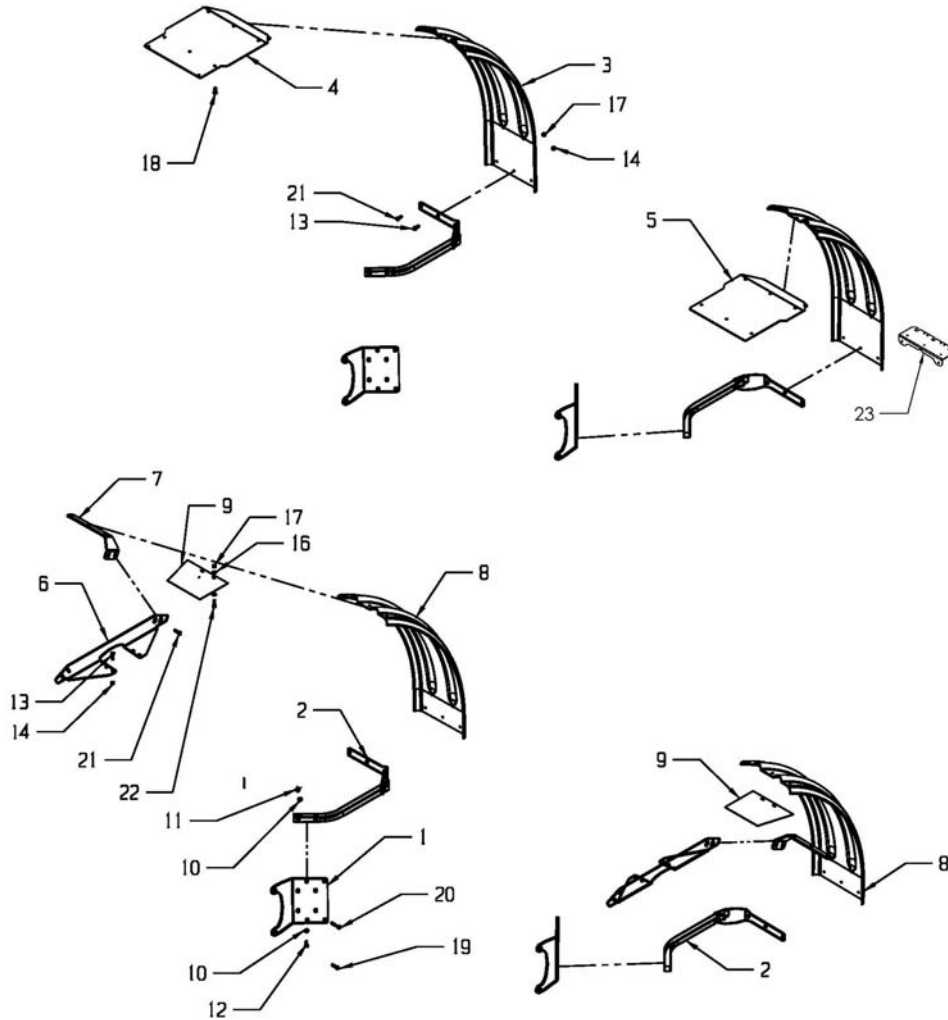
KEY	PART NO.	DESCRIPTION
2	21.24714	Bracket, Light Mount, RH Front (S/N 21.12733 & After)
	21.10671	Bracket, RH Front, Fender
20	21.24715	Bracket, Light Mount, LH (S/N 21.12733 & After)
	21.10672	Bracket, LH Front, Fender
36	21.24716	Bracket, Rear Lights (S/N 21.12733 & After)
	21.10679	Bracket, Rear Lights
47	21.24711	Light, Halogen (S/N 21.12733 & After)
	21.00132	Light, Forward Trap
47a	21.21175	Bulb
47b	21.22988	Kit - Light Bracket w/ Hardware
49	21.00136	Lamp (Forward Amber)
60	21.24717	Light, Amber, Turn W/O Bulb (S/N 21.12733 & After)
	21.20698	Lamp (Rear Amber) Use w/ Socket 21.23915
60a	21.00133	Lamp, Spade Connection (200's & 200HT's Prior to S/N 21.12103) Bulb Socket Not Sold Separately
61	21.24712	Light, Clear, Rear (S/N 21.12733 & After)
	21.00135	Lamp (Rear Clear) (Plugs Into 21.00975)
62	21.24718	Light, Red, Rear (S/N 21.12733 & After)
	21.20699	Lamp (Rear Red) Use w/ Socket 21.23915
62a	21.00134	Lamp, Spade Connection (200's & 200HT's Prior to S/N 21.12103) Bulb Socket Not Sold Separately
83	21.21196	Fender Brace, Rear
	21.07208	Fender Brace, Rear
85	21.10700	Fender, Left
86	21.10670	Fender, Right
101	21.10158	Spacer, Light Bracket
102	21.07230	Fender Front Left
103	21.07222	Strap, Top Fender
104	21.07232	Shield, Mud Flap
105	21.07214	Fender Brace
106	21.23495	Strap, Fender Support (Was 21.07207 Prior To S/N 21.12429)
107	21.23381	Fender Support LH (Was 21.07233 Prior To S/N 21.12429)
108	21.23382	Fender Support RH (Was 21.07234 Prior To S/N 21.12429)
109	21.07231	Fender, Front Right
112	21.20471	Air Deflector (275/2275HT Only)
113	21.22474	Bracket, Bulkhead Support (275/2275HT Only) (Was 21.20952)
114a	21.22514	Light, Hi/Lo (Was 21.20914)
114b	21.22515	Light, Hi/Lo (Was 21.20914)
114c	21.23115	Bulb Lo (Light w/ Two Studs) In-side Light
	21.23114	Bulb Hi (Light w/ Two Studs) Out-side Light
	21.23150	Bulb Hi/Lo (Light w/ One Stud)
115	21.20973	Bracket, (Light Option)
116	21.24719	Bulb, Turn/Brake (S/N 21.12733 & After)
	21.20917	Bulb
117	21.24721	Light, Amber, Flashing (S/N 21.12733 & After)
	21.21094	Light, Amber Flasher (S/N 21.12223 And After)
118	21.24722	Bracket, Boom Rest Light S/N 21.12733 & After)
	21.22599	Bracket, Boom Rest Light (S/N 21.12223 And After)
119	21.22600	Bracket, SMV & Decal (S/N 21.12223 And After)
120	907521	SMV Decal (S/N 21.1223 And Af-ter)
121	904498	Clamp, Speed .375 (S/N 21.12223 And After)
122	907219	Decal- Red 2x9
123	907220	Decal- Yellow 2x9
124	907221	Decal- Orange 2x9
125	21.22503	Decal- Nitro
130	21.24184	Headlight Support Brkt S/N 21.12587 & After
131	21.24182	Tail Light Support Brkt S/N 21.12587 & After
132	21.24183	Tail Light Support Brkt-275 S/N 21.12587 & After
133	21.24887	Bracket, Brake Light (S/N 21.12733 & After)
134	21.23912	Alarm, Back-up w/ Connector (S/N 21.12733 & After)

KIT-MOLDED FENDERS



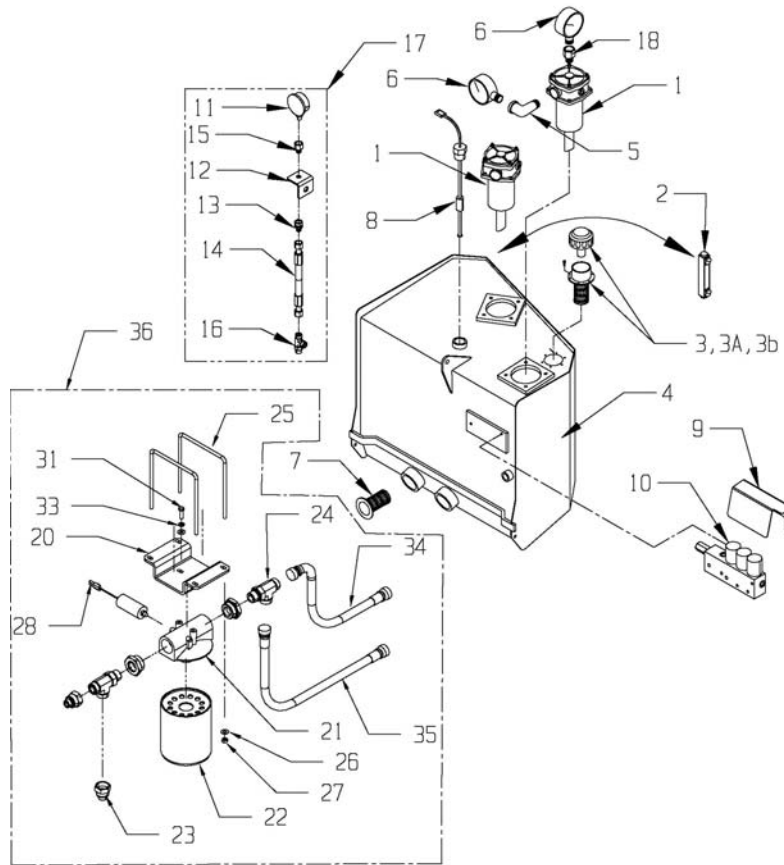
KEY	PART NO.	DESCRIPTION
1	21.24170	Fender, Nitro
2	21.24171	Fender, Nitro LR
3	21.24102	Bracket, Lower Fender Mount
4	21.24094	Bracket Weldment, Lower Fender Mount
5	21.23972	Bracket, Front Top Fender Mount
6	21.24153	Bracket, Fender Mount
7	21.24176	Bracket, Right Rear Fender
8	21.24173	Bracket, Mount LH Inner
9	21.24174	Bracket, Mount LH Outer
10	907393	HHDNUT, 5/8-11 SS Nylock
11	907438	HHDNUT, 5/8-11 x 3 1/2 SS
12	907727	CARBLT - SS 3/8-16 x 1 1/4
13	907724	HHDBLT, 5/8-11 x 6 1/2 SS
14	907430	HHDBLT, 5/8-11 x 2 1/2 SS
15	907396	Washer, Flat 5/8 SS
16	907465	Washer, 3/8 Wide Flat SS
17	907391	HHDNUT, 3/8-16 SS Nylock
18	907376	HHDBLT, SS 3/8-16 x 1 1/2
19	907451	HHDBLT, 1/2-13 x 1 3/4 SS
20	907392	HHDNUT, 1/2-13 SS Nylock
21	21.30481	Bracket SS Rear Nozzle (Option)

KIT-MOLDED FENDERS 2200T

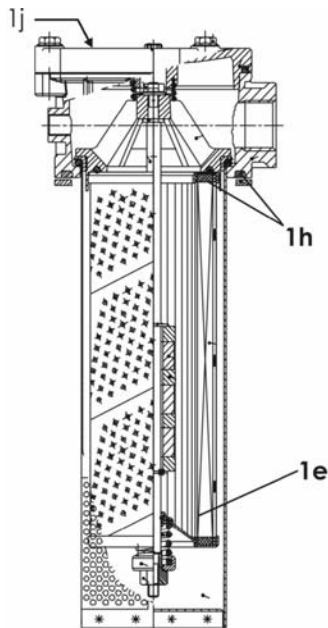


KEY	PART NO.	DESCRIPTION
1	21.24102	Bracket, Lower Fender Mnt
2	21.24094	Bracket Wldmnt, Lower Fender Mnt
3	21.24370	Fender 2200T SS Rear
4	21.24269	Bracket, RR Fender Mnt 200T
5	21.24268	Bracket, Rear Fender Mnt 2200T
6	21.23972	Bracket, Front Top Fender Mnt
7	21.24153	Bracket, Fender Mnt
8	21.24369	Fender, 2200T SS Front
9	21.07232	Shield - Mud Flap
10	907396	Washer, 5/8 SS Flat
11	907393	HHDNUT, 5/8-11 SS Nylock
12	907438	HHDBLT, 5/8-11 x 3 1/2 SS
13	907451	HHDBLT, 1/2-13 x 1 3/4 SS
14	907392	HHDNUT, 1/2-13 SS Nylock
15	907376	HHDBLT, SS 3/8-16 x 1 1/2
16	907465	Washer, 3/8 Wide Flat SS
17	907391	HHDNUT, 3/8-16 SS Nylock
18	907727	CARBLT - SS, 3/8-16 x 1 1/4
19	907430	HHDBLT, 5/8-11 x 2 1/2 SS
20	907724	HHDBLT, 5/8-11 x 6 1/2 SS
21	907643	CARBLT - SS, 3/8-16 x 1 1/2
22	907425	HHDBLT, SS 3/8-16 x 1 1/4
23	21.30481	Bracket SS Rear Nozzle (Option)

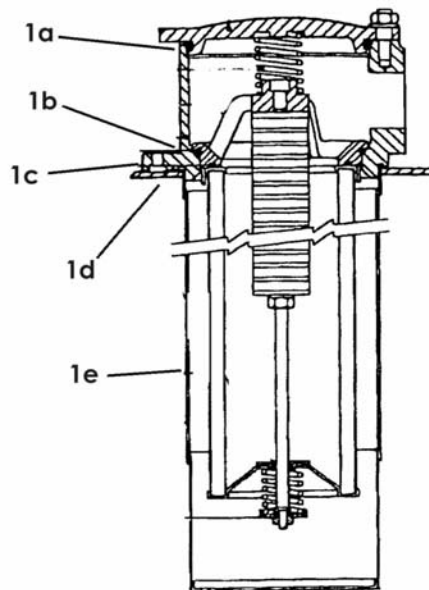
200/2200T/2200TSS HYDRAULIC RESERVOIR ASM. (21.00207)



200/2200T/2200TSS & 200HT/2200HT RETURN FILTER



SN 21.12619 & AFTER
FILTER ASM 21.23966

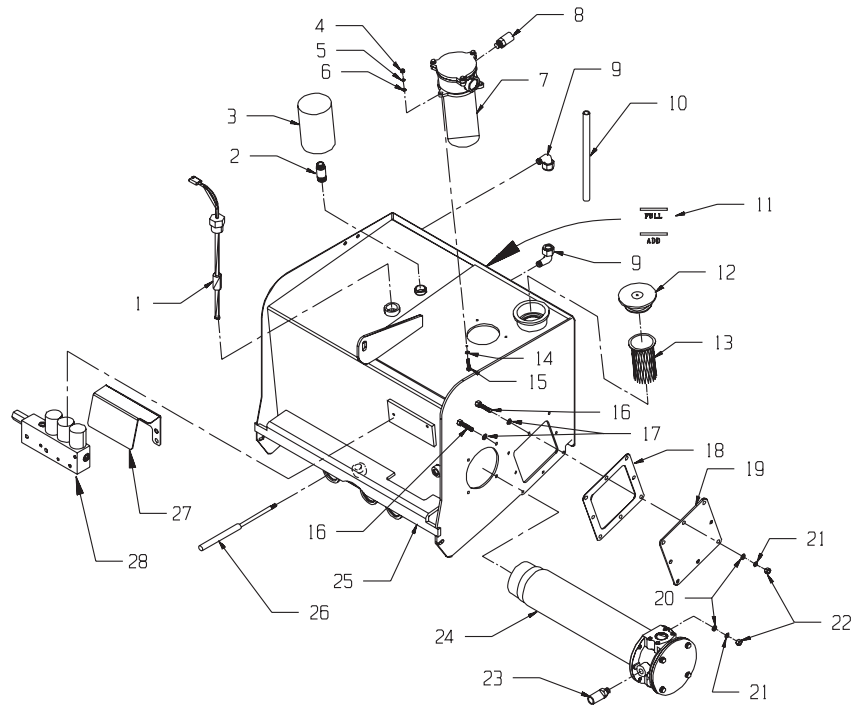


SN 21.11938 THRU 21.12618
FILTER ASM 21.00559

200/2200T/2200TSS HYDRAULIC RESERVOIR ASM. (21.00207)

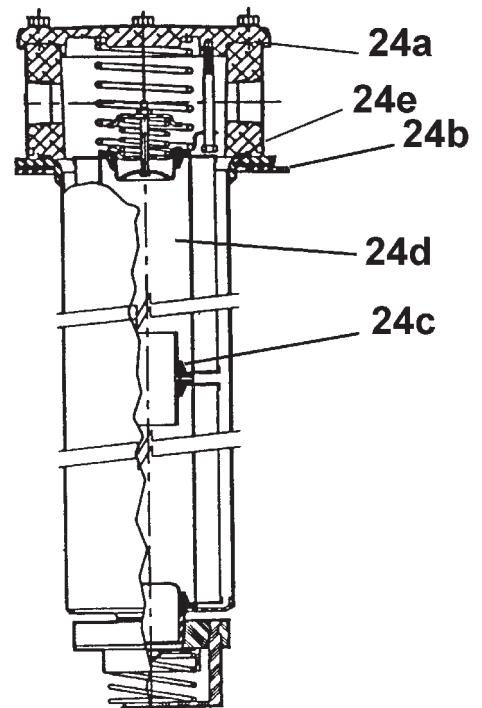
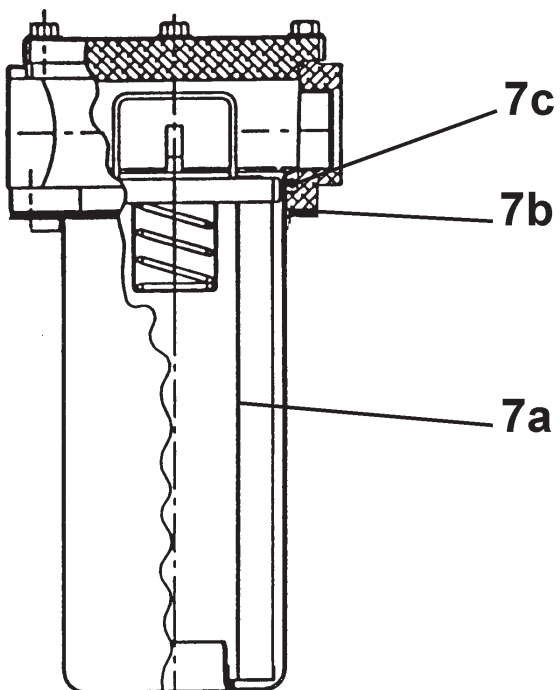
KEY	PART NO.	DESCRIPTION
1	21.00012	Short Filter Assembly (S/N before 21.11937)
	21.23966	Long Filter Assembly (Was 21.00559)(S/N 21.11937 and up)
1a	21.00847	Cover O-Ring (Prior To SN 21.12619)
1b	21.00848	Insert O-Ring (Prior To SN 21.12619)
1c	21.00849	Bypass Seal (Prior To SN 21.12619)
1d	21.00858	Tank Gasket (Prior To SN 21.12619)
1e	21.00922	Short Element - S/N before 21.11937 (length 5-7/8" approx.)
	21.00809	Long Element - S/N 21.11937 and up (length 7-7/8")
	21.20816	Filter - Water Separating, Long (For removing water only, NOT RECOMMENDED for normal Operation)
1f	21.23214	Stud, Filter Asm. (Prior To SN 21.12619)
1g	21.23215	Nut, Filter Asm. (Prior To SN 21.12619)
1h	21.24381	Seal Kit For 21.23966
1j	21.25192	Cover - Plastic, Filter 21.23966
2	21.00131	Hydraulic Oil Temp/Sight Gauge
3	21.20599	Filler/Breather - High Neck w/ Cap
3a	21.21922	Cap
3b	32.61833	Gasket
4	21.10400	Tank, Hydraulic Reservoir Weldment
5	905383	¼ NPT 90° Street Elbow
6	21.00555	Gauge, 0-30 PSI Liquid Filled
7	21.00018	Suction Screen
8	21.21860	Level/Temp Sender (After S/N 21.12181)
	21.22042	Kit, Oil Level/Temp Sender Update (Prior to S/N 21.12182) (Was 21.20852)
9	21.22774	Cover, Valve - Brake, 2 Speed
10	21.22739	Valve - Brake, 2 Speed (See Page 6-12)
11	32.00730	Gauge-1000psi Charge Pump
12	21.23165	Bracket-Charge Press Gauge
13	21.23166	Union-Bulkhead 6ORFS w/Unit
14	21.23168	Hose-Charge Press Gauge
15	21.23167	Adapter, 6ORFS x 1/4FPT
16	21.00334	Tee 8ORFS (On 275's & 200HT's S/N 21.12259 & After, on 200's S/N 21.12271 & After)
	21.00338	Tee 6ORFS (On 275's & 200HT's Prior To S/N 21.12259, on 200's Prior To S/N 21.12271)
17	21.00749	Gauge Kit-Charge Pressure (For Machines Prior To S/N 21.12326)
18	32.04537	Adapter - 1/4FPT x 1/8MPT
20	21.2436	Bracket, Case Drain Filter Mount
21	21.24361	Head, Filter (Spin-On) SAE Ports
22	21.24362	Filter, Spin On
23	21.24743	Reducer, 20-12 ORB
24	21.00304	Tee, 12 ORFS/12 ORFS/ 12ORST EXT
25	21.21659	U-Bolt, SS SQ 5/16-18 X 6 X 7
26	907379	Washer, SS Flat 5/16
27	907385	HHDNUT, SS 5/16 - 18
28	21.22263	Switch, Case Filter Pressure
-	21.24365	Decal, Overhead 200
31	907349	HHDBLT, SS 5/16-18 X 1
33	907411	Washer, SS Lock 5/16"
34	21.24744	Hose, Case Drn Filter 90D End
35	21.24745	Hose, Case Drn Filter To Tank
36	21.24367	Filter Kit, Case Drain

275/2275HT RESERVOIR ASM (#21.20621)



21.20850 (FILTER ASM. TOP TANK)

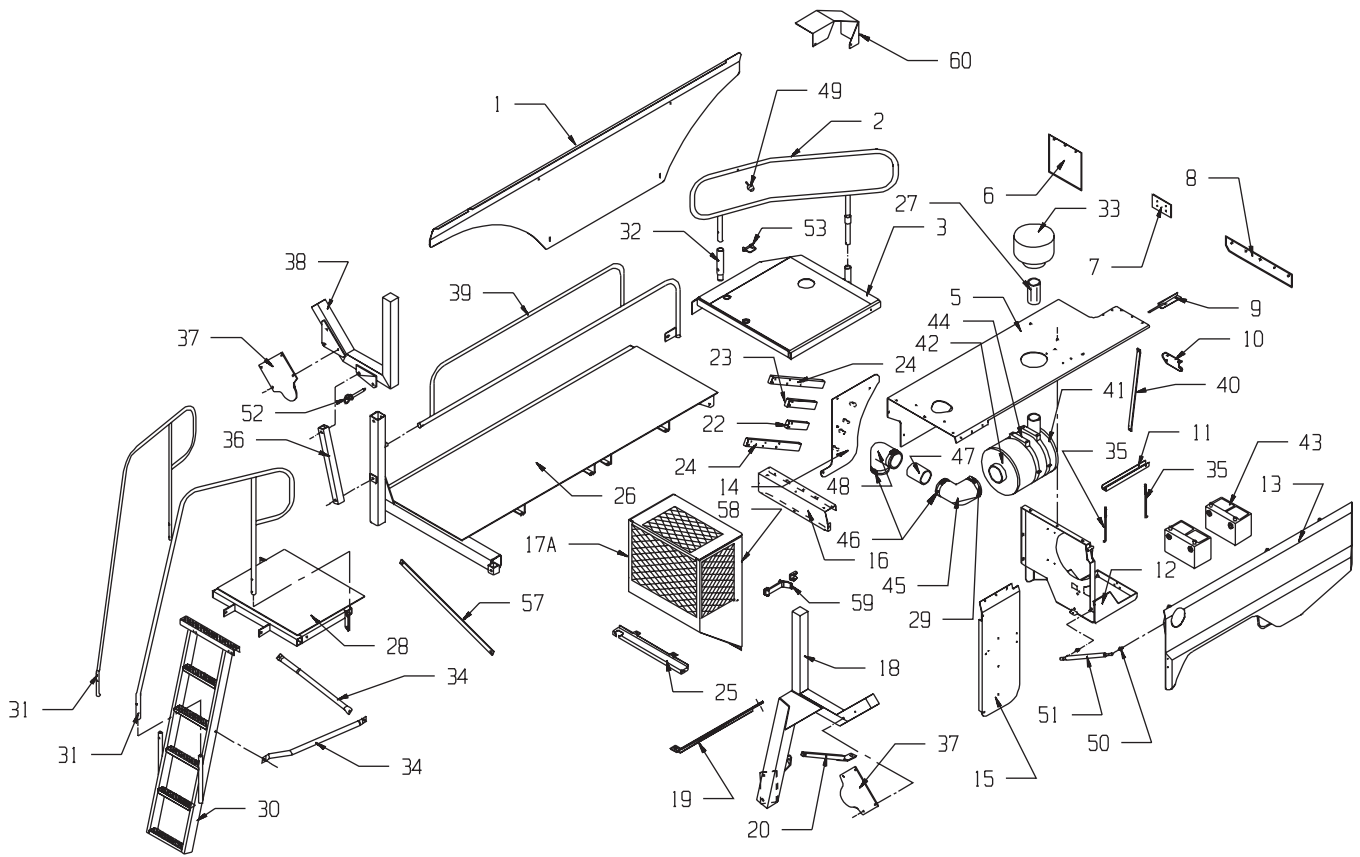
21.20851 (FILTER ASM. SIDE TANK)



275/2275HT RESERVOIR ASM (#21.20621)

KEY	PART NO.	DESCRIPTION
1	21.21860	Sender, Oil Level/Temp (After S/N 21.12181)
	21.22042	Kit Lev/Temp Sender Update (Prior to S/N 21.12185) (Was 21.20852)
2	21.20849	Adaptor, Breather Filter
3	21.20848	Filter, Oil Tank Breather
4	907384	Hex Head Nut, ¼" SS (Was 900363)
5	907417	Lock Washer, ¼" SS (Was 900502)
6	907234	Flat Washer, ¼" SAE SS (Was 900493)
7	21.20850	Filter Assembly, Top Tank Case Drain (For Filter See Page)
7a	21.21112	Filter Schroeder BZ25
7b	21.21115	Gasket LFT - 1195
7c	21.21113	O-Ring LF - 3814
8	21.22263	Sender, Case Pressure (Was 21.20854 Prior to S/N 21.12223)
9	21.20879	Elbow, 90 Degree 3/8" Tube
10	21.20878	Tubing, Clear 3/8"
11	21.20881	Decal, Oil Level Hydraulic Reservoir
12	21.20889	Cap, Hydraulic Reservoir Fill
13	21.20890	Strainer, Reservoir Fill
14	21.20876	Washer, Pressure Sealing, ¼"
15	907460	Hex Head Bolt G5 ¼ x 1-1/4" Full Thread SS (Was 907284)
16	907461	Hex Head Bolt G5 3/8 x 1-3/4" Full Thread SS (Was 907285)
17	21.20877	Washer, Pressure Sealing 3/8"
18	21.20481	Gasket, Reservoir Access
19	21.20480	Cover, 275/2275HT Oil Reservoir (21.23388 Comes w/ - 24ORB Port)
20	907465	Flat Washer, 3/8" SAE SS (Was 901105)
21	907412	Lock Washer, 3/8" SS (Was 900504)
22	907386	Hex Head Nut, 3/8-16 SS (Was 900366)
23	21.22264	Sender, Return Filter (Was 21.20853 Prior to S/N 21.12223)
24	21.20851	Filter Assembly, Side Tank Return (For Filter See Page)
24a	21.21110	O-Ring LFT - 908
24b	21.21114	Gasket LFT - 642
24c	21.21111	Coupler LF - 1997
24d	21.22259	Filter (2 Required) (Was 21.21109)
24e	21.22410	O-Ring, Square
25	21.20472	Tank, Hydraulic Reservoir 275HP (21.23311 Has 20 Gal More Capacity)
26	21.20891	Magnet, Hydraulic Reservoir
27	21.22774	Cover, Valve - Brake, 2 Speed
28	21.22739	Valve - Brake, 2 Speed (See Page 6-12)
NS	21.20952	Bracket, Bulkhead Support RH Fender

DECK COMPONENTS - 200'S PRIOR TO S/N 21.12000

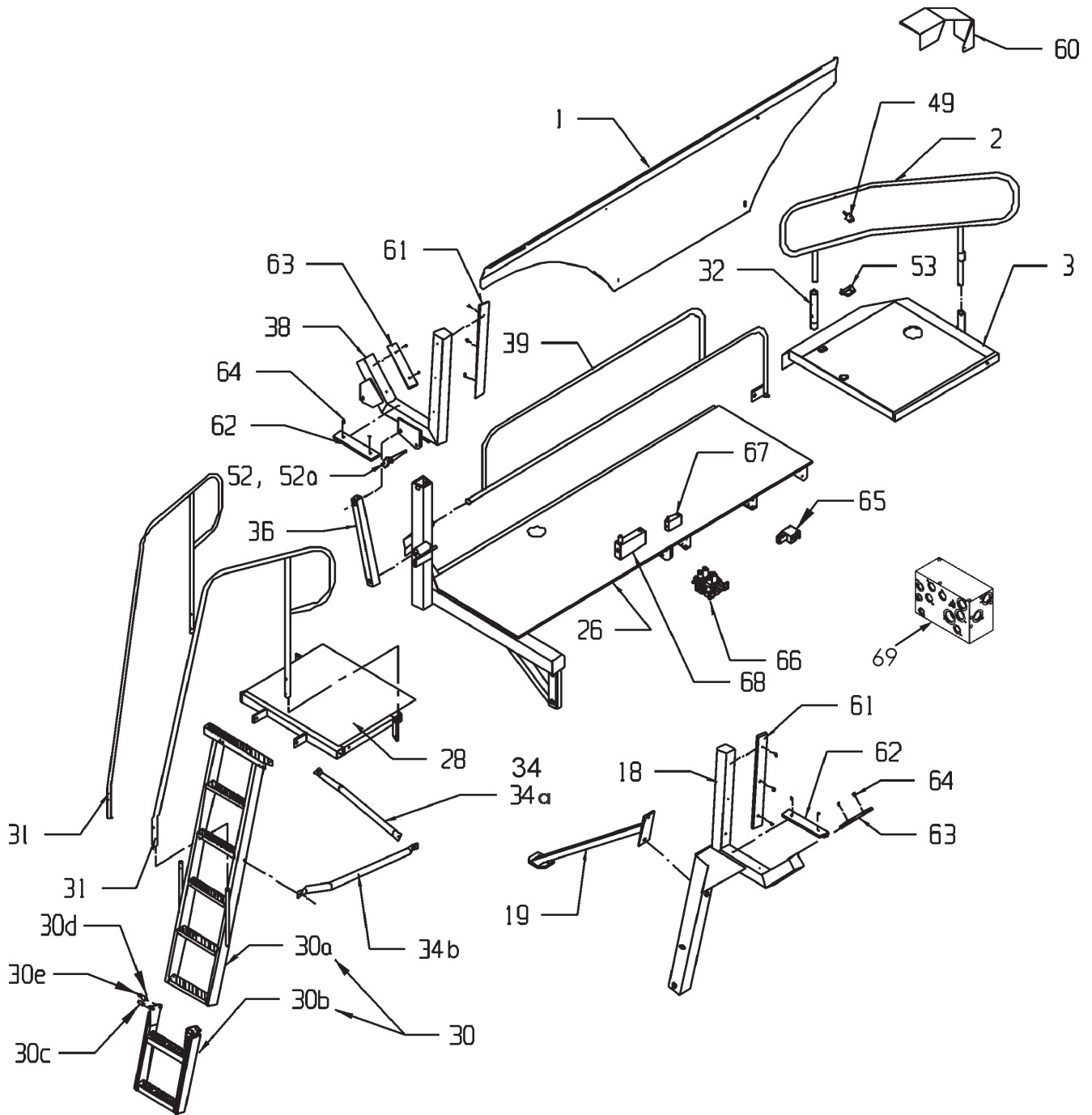


DECK COMPONENTS - 200'S PRIOR TO S/N 21.12000

KEY	PART NO.	DESCRIPTION
1	21.24706	Fuel Tank Cover
2	21.10550	Railing Wldmt, Adjustable
3	21.10570	Deck Wldmt, Left Front
5	21.10601	Hood, Nitro
6	21.10545	Flap, Hood Cover, Front
7	21.10546	Flap, Hood Cover, Inside Edge
8	21.10547	Rubber Flap, Hood Cover, Rear
9	21.10650	Hinge Pin Wldmt
10	21.10604	End Brkt, Hood 5
11	21.10589	Battery Hold Down
12	21.10590	Battery Box Wldmt
13	21.10600	Hood Door Wldmt
14	21.10630	Inside Hood Wldmt
15	21.10602	Outside Panel, Side, Hood
16	21.10603	Panel, End, Hood
17a	21.20008	Screen, Air Intake
18	21.10711	Right Boom Saddle Wldmt
19	21.10548	Support Brace, Right Boom Saddle
20	21.10534	Right Boom Saddle Brkt Wldmt
22	21.10646	Tube, Hinge, 8.43" Wldmt
23	21.10645	Tube, Hinge, 11.75" Wldmt
24	21.10635	Screen Pivot Tube Wldmt
25	21.10633	Panel, Hood Screen
26	21.10500	Deck, Left, Wldmt
27	21.00168	Air Cleaner Ext.
28	21.10622	Rear Deck Wldmt
29	907786	Clamp - T-Bolt, 5.5"
30	21.10660	Ladder Wldmt
31	21.10623	Railing Wldmt, Ladder
32	21.10560	Anchor Link Wldmt
33	21.00157	Engine Air Precleaner
34	21.10627	Anchor Tube, Ladder
35	21.00192	J-Bolt, Battery Hold Down
36	21.10521	Support, Left Boom Saddle
38	21.10517	Left Boom Harness Wldmt
39	21.10540	Railing Wldmt Left Deck
40	21.10689	Hood Brace, Front

KEY	PART NO.	DESCRIPTION
41	21.00065	Air Cleaner
42	21.00067	Air Restriction Indicator
43	21.00181	Battery
44	21.00066	Air Cleaner Mtg Bands
45	21.00041	4 x 5 Cobra
46	907785	Clamp - T-Bolt 4.5"
47	21.00160	Hose
48	21.00040	4 x 4 Cobra
49	21.00191	Door Bumper
50	21.00195	Ball, Side Door Assist.
51	21.00193	Spring, GAS Side Door Assist
52	09.74300	Pin, Hitch, 5/8 w/ Clip
53	907107	Lynch Pin
58	22.94160	Foam Seal
59	21.00188	Latch
60	21.10559	Foamer Shield

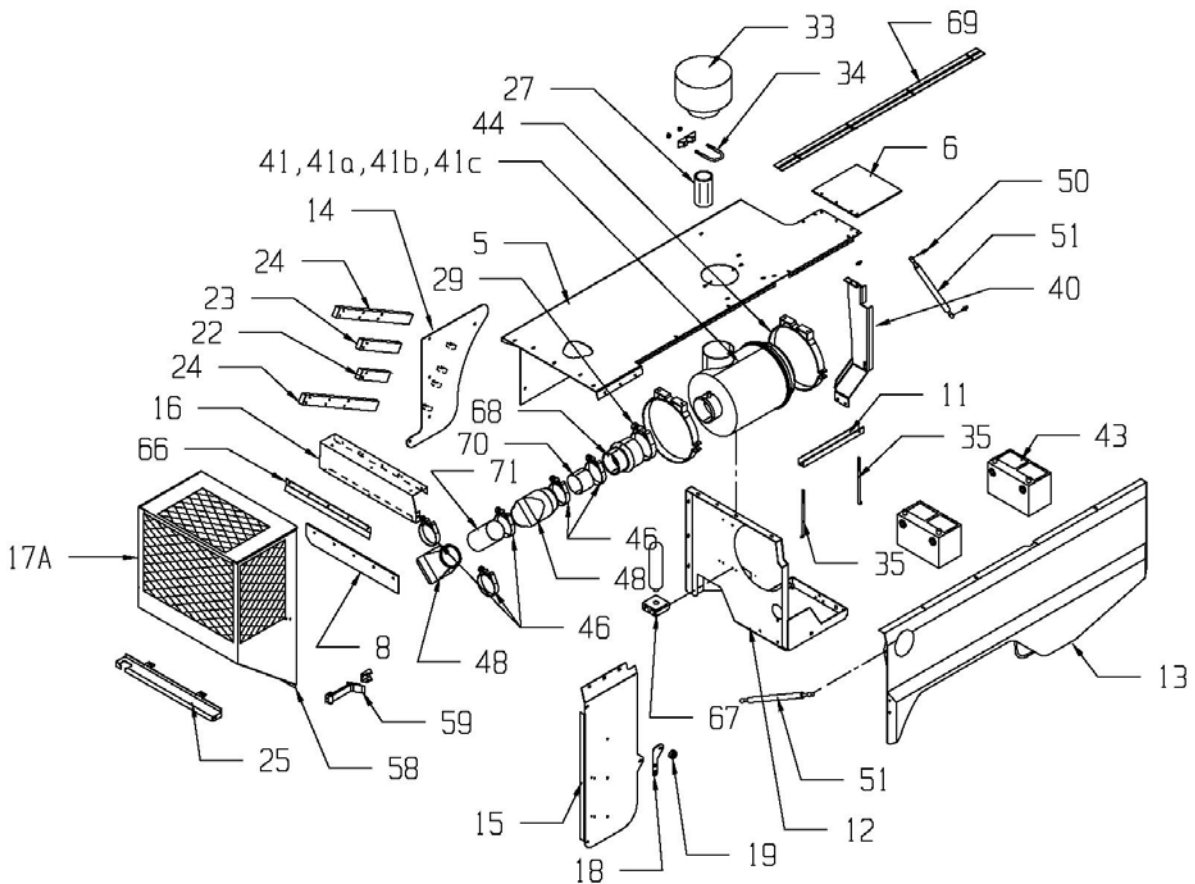
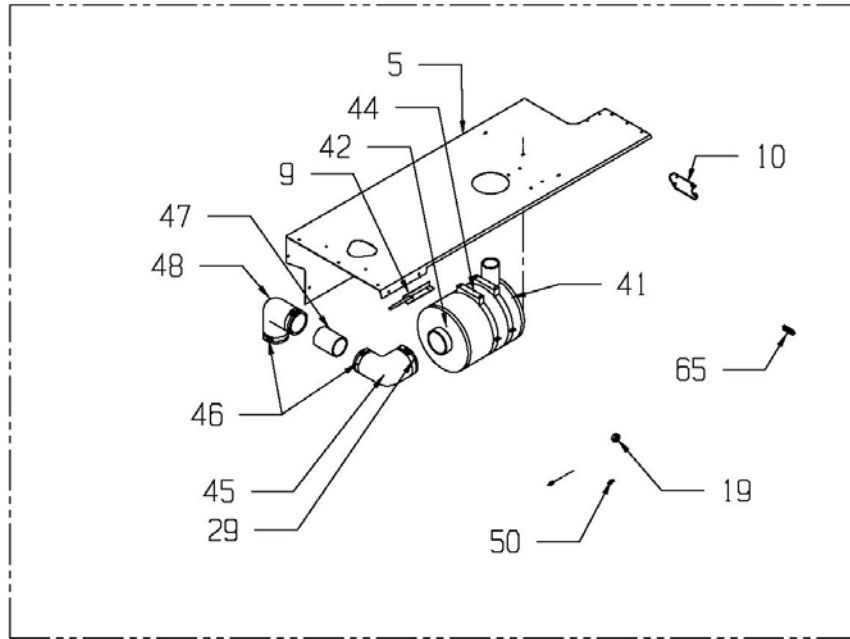
DECK COMPONENTS - CURRENT MODELS



DECK COMPONENTS - CURRENT MODELS

KEY	PART NO.	DESCRIPTION
1	21.24706	Fuel Tank Cover
2	21.10550	Railing Weldment, Adjustable
3	21.10570	Deck Weldment, Left Front
18	21.10711	Right Boom Saddle
19	21.10707	Right Boom Saddle Support
26	21.24707	Mid Deck 3275HT (S/N 21.12733 & After)
	21.10731	Mid Deck 275HT & 2275HT
28	21.10622	Rear Deck Weldment
30	21.22681	Ladder Update Assembly (Includes hardware) Was 21.10660
30a	21.22478	Ladder Weldment
30b	21.22479	Ladder Bottom
30c	21.22486	Hub-Ladder Pivot
30d	07.06089	Bumper-Wing Pivot HD
30e	907533	Washer-SS Flt 3/8 Wide Heavy
31	21.10623	Railing Weldment, Ladder
32	21.10560	Anchor Link Weldment
34	21.10627	Support, Deck Rear
34a	21.20504	Support, Deck Rear (200HT/2200HT & 275/2275HT)
34b	21.24194	Support, Ladder
36	21.10732	Support, LT Boom Saddle
38	21.10733	Boom Saddle, Left
39	21.10540	Railing Weldment Left Deck
49	21.21884	Door Bumper (Was 21.00191)
52	907471	Pin, Hitch, 5/8 SS (Was 09.74300)
52a	907472	Clip, Hair Pin, SS
53	907470	Lynch Pin (Was 907107 Prior To S/N 21.12247)
NS	21.10508	Mid-Deck Brace
60	21.10559	Foamer Shield
61	21.10715	Pad, 24x2.5
62	21.10716	Pad, 12.5x2.5
63	21.10717	Pad, 10.5x2.5
64	903880	Screw, 1/4 x 3/4
65	21.21923	Valve, Spray Pump (Was 21.00088) (See Page 6-12)
66	21.21924	Valve, Leg Wide/Lift (Was 21.00082) (See Page 6-4)
67	21.24100	Valve, Flow, Small, Option For 2275HT
68	21.24101	Valve, Flow, Large Option For 2275HT
69	21.24682	Valve, Integrated Manifold 3200 Series (S/N 21.12733 & After) (See Page 6-7)

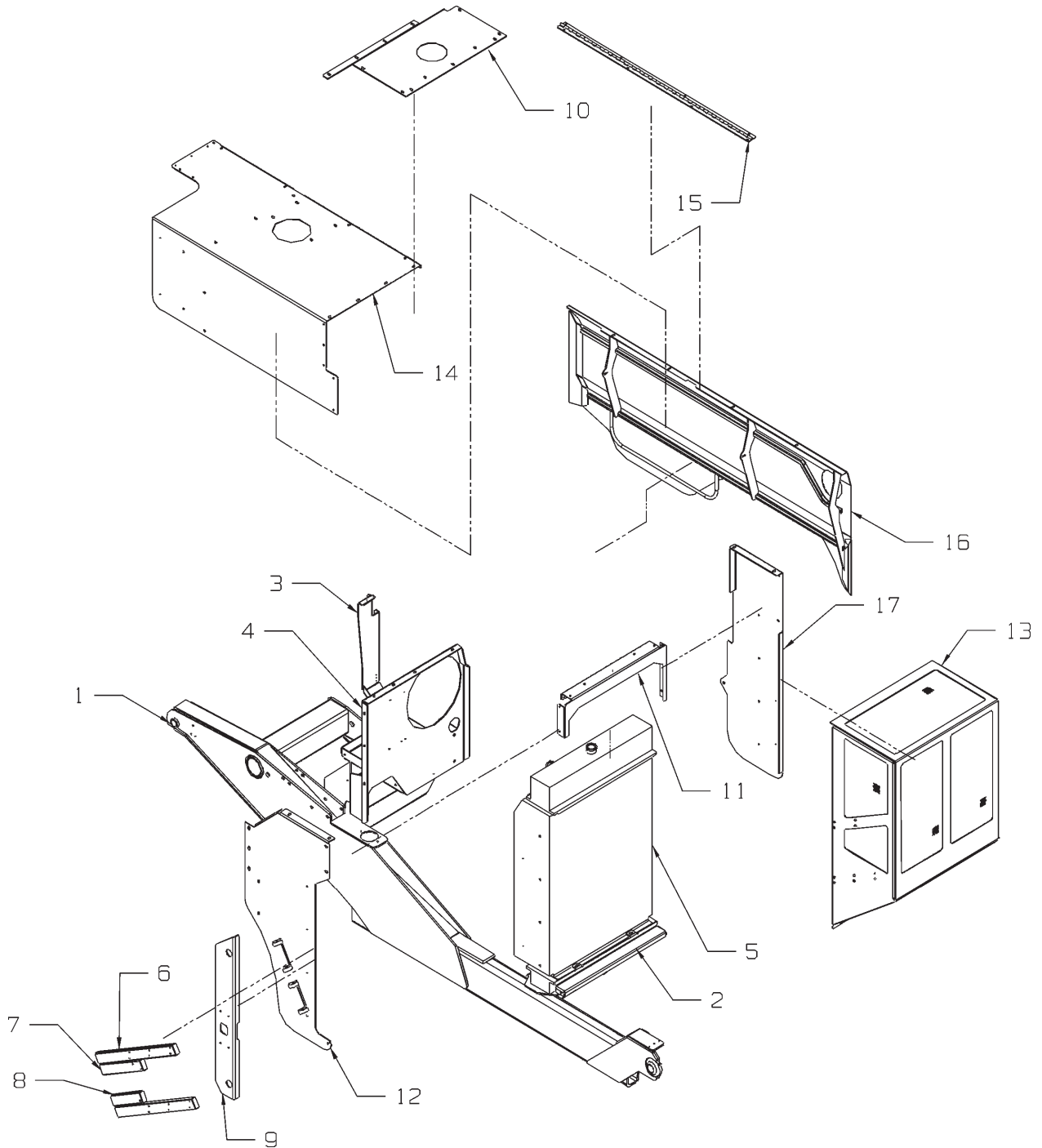
SHEET METAL 200/2200T/2200TSS (S/N 21.12001 AND AFTER) & 200HT/2200HT



SHEET METAL 200/2200T/2200TSS (S/N 21.12001 AND AFTER) & 200HT/2200HT

KEY	PART NO.	DESCRIPTION
5	21.23412	Hood, Nitro (Was 21.20783 Prior To S/N 21.12400)
6	21.10545	Flap, Hood Cover, Front
8	21.20638	Rubber Flap, Hood Cover, Front (200/2200T/2200TSS Machines)
	21.10547	Rubber Flap, Hood Cover, Front (200HT/2200HT Machines)
9	21.10650	Hinge Pin Weldment (Obsolete)
10	21.10604	End Bracket, Hood (Obsolete)
11	21.21290	Battery Hold Down
12	21.23478	Battery Box Weldment (Was 21.10590) (Was 21.21422 Prior To S/N 21.12400)
13	21.23413	Hood Door Weldment (Was 21.10600 Prior To S/N 21.12400)
14	21.10630	Inside Hood Weldment
15	21.22220	Panel, Side, Hood (S/N 21.12197) (Was 21.10602 Prior to S/N 21.12197)
16	21.20629	Panel, End, Hood
17a	21.20008	Screen, Air Intake
18	21.22221	Bracket, Door Stop (S/N 21.12196)
19	21.22040	Bumper (S/N 21.12196 & Up)
22	21.10646	Tube, Hinge, 8.43" Weldment
23	21.10645	Tube, Hinge, 11.75" Weldment
24	21.10635	Screen Pivot Tube Weldment
25	21.20734	Panel, Hood Screen
27	21.00168	Air Cleaner Ext.
29	907786	Clamp - T-Bolt, 5.5"
33	21.00157	Engine Air Precleaner
34	21.21091	Clamp, Precleaner
35	21.00192	J-Bolt, Battery Hold Down (Prior To S/N 21.12400)
	21.21291	J-Bolt (SN #21.12083 and Up)
40	21.23421	Support-Hood Front (Was 21.10689 Prior To S/N 21.12400)
41	21.30162	Air Cleaner (Was 21.00065 Prior To S/N 21.12400)
	21.00926	Air Primary Filter, Outer (Prior To S/N 21.12400)
	21.30163	Air Primary Filter, Outer (S/N 21.12400 & After)
	21.00927	Air Secondary Filter, Inner (Prior To S/N 21.12400)
	21.30164	Air Secondary Filter, Inner (S/N 21.12400 & After)
41a	21.30597	Gasket, Black Air Cleaner
41b	21.30598	Cover Asm, Black Air Cleaner
41c	21.30599	Vaculator Valve, Black Air Cleaner
42	21.23921	Switch Kit, Air Filter Update (Replaces 21.00067) (For S/N Prior To 21.12506)
	21.23917	Switch, Air Filter (S/N 21.12506 & After)
43	21.25034	Battery
44	21.00066	Air Cleaner Mtg Bands
45	21.00041	4 x 5 Cobra (Prior To S/N 21.12400)
46	907785	Clamp - T-Bolt 4.5"
47	21.00160	Tube 4" OD x 10" Long (Prior To S/N 21.12400)
48	21.00040	4 x 4 Cobra
50	21.00195	Ball, Side Door Assist.
51	21.00193	Spring, GAS Side Door Assist
58	22.94160	Foam Seal
59	907449	Latch SS (Was 21.00188)
65	21.20385	Hinge (Prior To S/N 21.12400, Obsolete)
66	21.20790	Panel, Flap Guide
67	21.00164	Kit, Ether
	21.00165	Ether, Bottle
	21.21899	Reducer (Not Shown) (S/N 21.12156 & Up)
68	21.21153	Reducer-5.00 to 4.00
69	21.23416	Hinge-200 Door
70	21.23481	Tube-4.00" OD x 3" Long Intake
71	21.23480	Tube-4.00" OD x 7" Long Intake

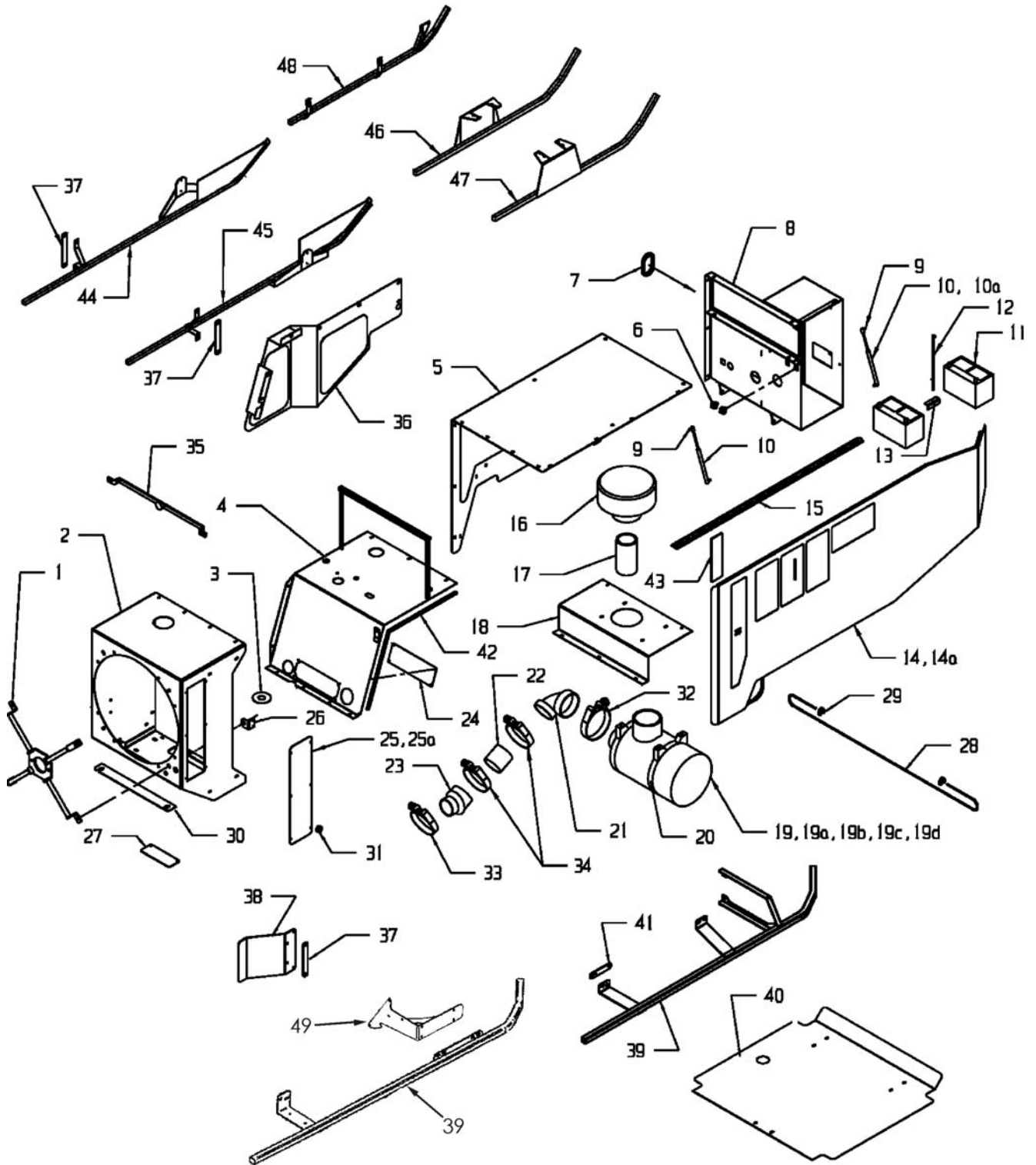
TALL RADIATOR OPTION - 21.00796 & 21.00797



TALL RADIATOR OPTION - 21.00796 & 21.00797

KEY	PART NO.	DESCRIPTION
1	21.21296	Leg Brace - 200 Nitro RH
2	21.20734	Panel, Hood Screen
3	21.23421	Support - Hood Front
4	21.23478	Battery Box Weldment
5	21.23611	Radiator, 200HT Tall
6	21.10635	Tube, Screen Pivot Base
7	21.10645	Tube, Hinge 11.75" Wdmt
8	21.10646	Tube, Hinge 8.43
9	21.20627	Bracket, Oil Cooler Mount
10	21.23619	Cover, Radiator
11	21.23622	Panel, End Hood
12	21.23617	Inner Hood Weldment
13	21.23594	Stationary Screen Weldment
14	21.23646	Hood, Tall, Nitro (S/N 21.12399 & Before)
	21.23621	Hood, Tall, Nitro (S/N 21.12400 & After)
15	21.23416	Hinge - 200 Door
16	21.23413	Hood Door Weldment
17	21.23618	Panel, Outside, Hood

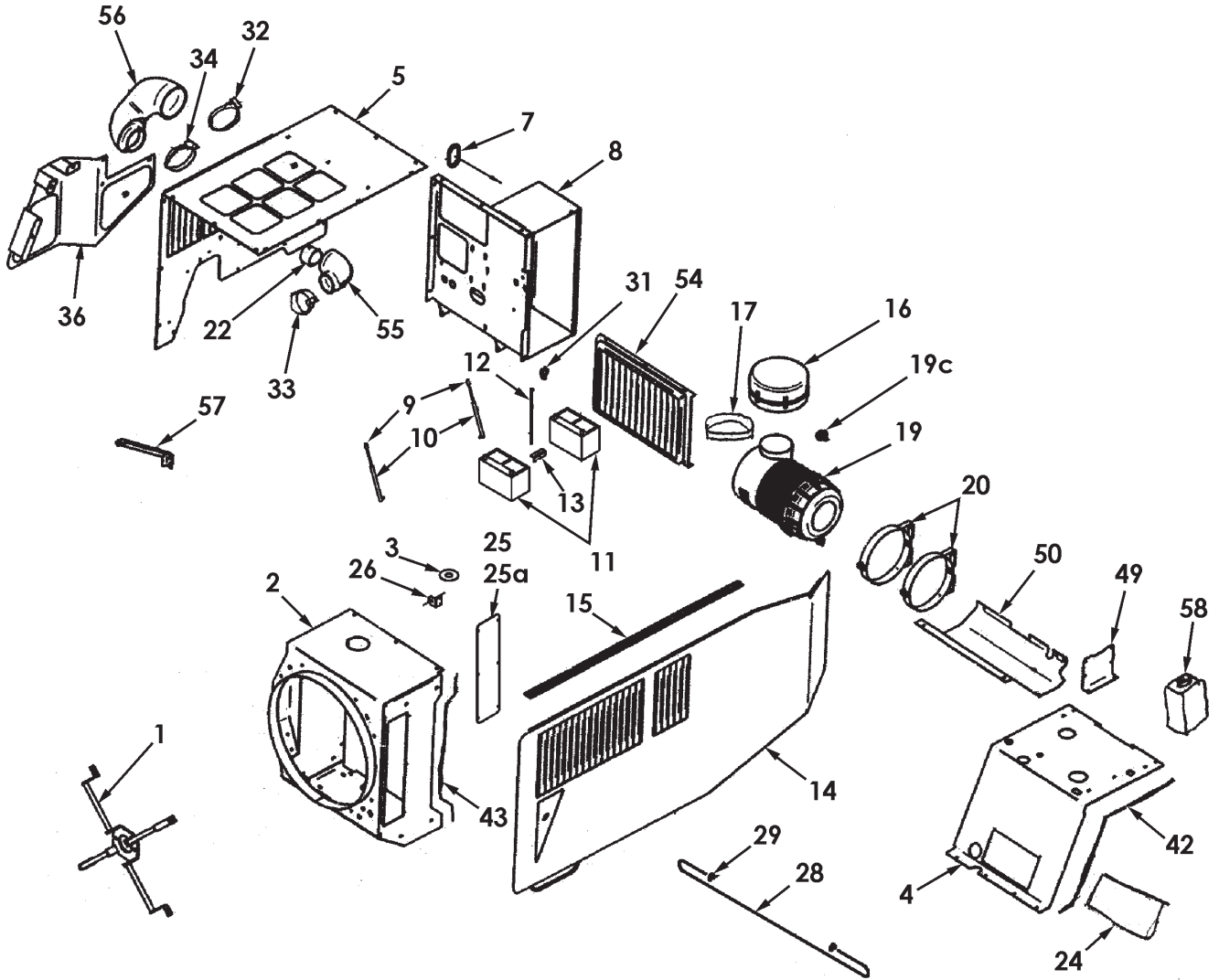
SHEET METAL 275/2275HT



SHEET METAL 275/2275HT

KEY	PART NO.	DESCRIPTION	KEY	PART NO.	DESCRIPTION
1	21.20386	Support, Fan	37	21.23449	Strap-SS Rear Leg Hub Deflector
2	21.20451	Enclosure, Radiator 275/2275HT Nitro	38	21.23450	Bracket-SS Rear Leg Hub Deflector
3	21.20965	Flap, Oil Cooler Fitting	39	21.25430.5	Deflector-Side Crop (S/N 21.12733 & After)
4	21.20909	Ducting, Nitro 275 HP		21.23515.5	Deflector-Side Crop
5	21.20906	Hood, Nitro 275 HP	40	21.23516	Pan-Belly
6	21.20803	Stub, Battery Feeder 3/8"	41	21.23517	Bracket-SS Belly Pan Mounting
7	11.77710	Trim, Black Soft Tone 1/32 - 1/8	42	21.23538	Trim-Lok Seal/ft
8	21.24337	Battery Box, Tier III (S/N 21.12733 & After)	43	21.23540	Foam Seal-1x1 Self Adhesive/ft
	21.20892	Battery Box	44	21.24232.5	Deflector Wdmt, Inner LH
9	21.00195	Ball, Side Door Assist Joint	45	21.24233.5	Deflector Wdmt, Inner RH
10	21.00193	Spring, Gas Side Door Assist	46	21.24489.5	Deflector Wdmt, Front LH
10a	21.24494	Spring - Gas Tall Door Assist (High Crop After SN 21.12630)	47	21.24490.5	Deflector Wdmt, Front RH
11	21.00181	Battery, 700 CC AMP	48	21.24231.5	Deflector Wdmt, Crop, Outer LH
12	21.20461	J-Bolt, Battery Holddown	49	21.25387.5	Bracket, Crop Deflector (S/N 21.12733 & After)
13	21.20462	Holddown, Battery			
14	21.20485	Door, Hood			
14a	21.23445	Door 2275HT - High Crop			
15	21.20837	Hinge, Door SS 64"			
16	21.20838	Pre-cleaner, Composite			
17	21.20347	Sleeve, Pre-cleaner			
18	21.20468	Duct, Front 275/2275HT Nitro			
19	21.21154	Air Cleaner			
19a	21.21101	Air Primary Filter			
19b	21.21102	Air Secondary Filter			
19c	21.00067	Air Restriction Indicator			
19d	21.23396	Vacuator Valve			
20	21.21157	Air Cleaner Mounting Band			
21	21.21151	Elbow 90°, 6 x 5			
22	21.21152	Tube			
23	21.21153	Reducer, 5" to 4"			
24	21.20918	Cover, Ducting 275/2275HT Nitro			
24a	09.71121	Self-Tapping Screw 5/16x1			
25	21.20508	Cover, Radiator Enclosure			
25a	09.71121	Self-Tapping Screw 5/16x1			
26	21.20656	Bracket, Fan Relief Valve			
27	21.20964	Flap, Radiator Enclosure			
28	11.77120	Cable (2 ft.)			
29	01.73844	Clamp			
30	21.22020	Spacer (As Needed)			
31	21.22040	Bumper (S/N 21.12196 & Up)			
32	907787	Clamp, T-Bolt 6.5"			
33	32.00296	Tee, Bolt 4" (Was 21.00043)			
34	907786	Clamp - T-Bolt 5.5"			
35	21.22069	Bar-Hub Retainer 2275HT			
36	21.23447	Shield-2275HT High Crop			

SHEET METAL 3275HT (S/N 21.12733 & AFTER)

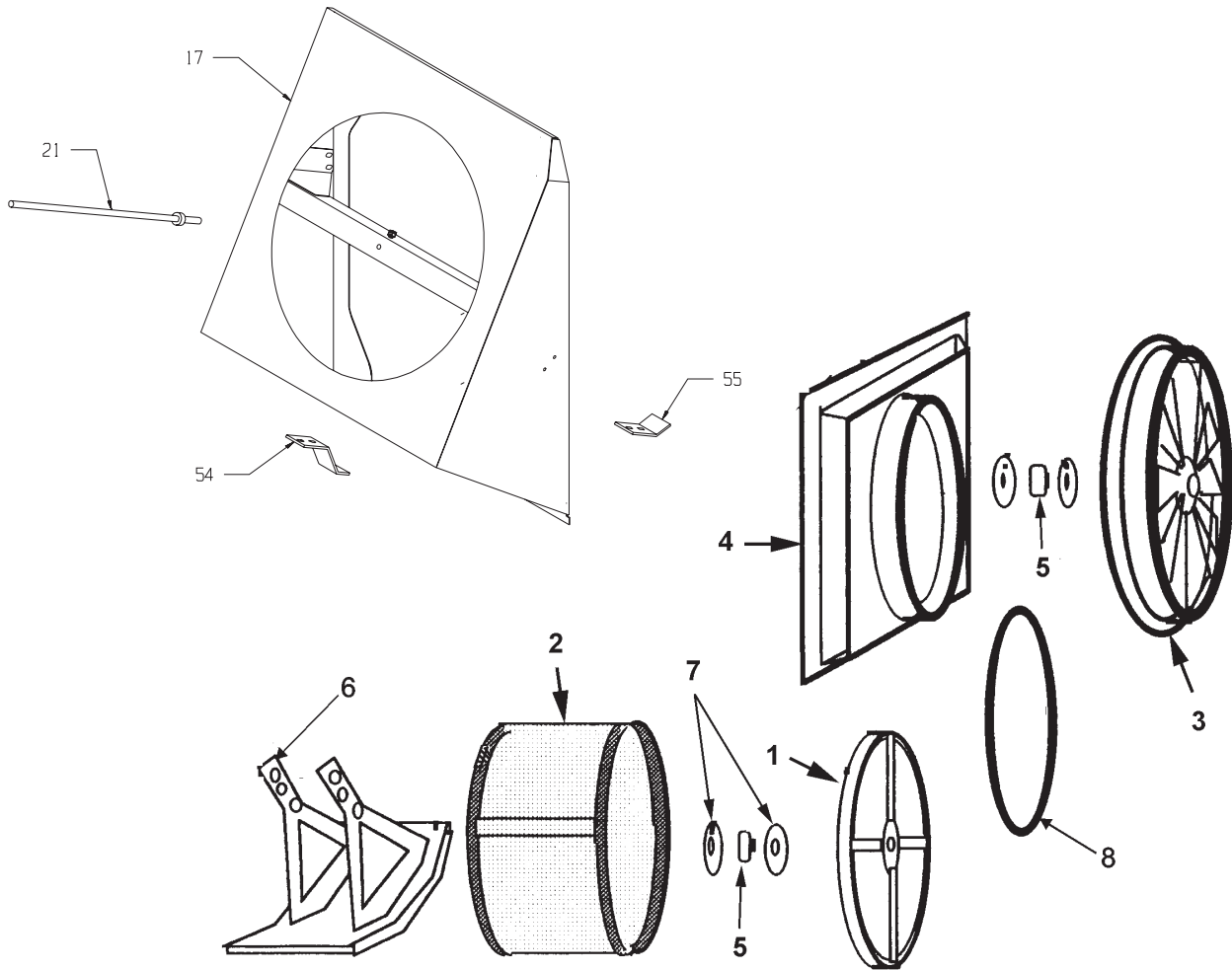


SHEET METAL 3275HT (S/N 21.12733 & AFTER)

KEY	PART NO.	DESCRIPTION
1	21.24549	Support, Fan
2	21.24314	Enclosure, Radiator 275/2275HT Nitro
3	21.20965	Flap, Oil Cooler Fitting
4	21.24313	Ducting, Nitro 275 HP
5	21.24330	Hood, Nitro 275 HP
6	21.20803	Stub, Battery Feeder 3/8"
7	11.77710	Trim, Black Soft Tone 1/32 - 1/8
8	21.24337	Battery Box, Tier III (S/N 21.12733 & After)
9	21.00195	Ball, Side Door Assist Joint
10	21.24494	Spring - Gas Tall Door Assist (High Crop After SN 21.12630)
11	21.00181	Battery, 700 CC AMP
12	21.20461	J-Bolt, Battery Holddown
13	21.20462	Holddown, Battery
14	21.24340	Door, Hood
15	21.20837	Hinge, Door SS 64"
16	21.20838	Pre-cleaner, Composite
17	21.20347	Sleeve, Pre-cleaner
19	21.40422	Air Cleaner
19a	21.40570	Air Primary Filter
19b	21.40571	Air Secondary Filter
19c	21.23917	Switch, Air Filter
19d	21.40569	Vacuator Valve
20	21.40380	Air Cleaner Mounting Band
22	21.24572	Tube
24	21.24867	Cover, Ducting 275/2275HT Nitro
24a	09.71121	Self-Tapping Screw 5/16x1
25	21.20508	Cover, Radiator Enclosure
25a	09.71121	Self-Tapping Screw 5/16x1
26	21.20656	Bracket, Fan Relief Valve
28	11.77120	Cable (2 ft.)
29	01.73844	Clamp
31	21.22040	Bumper (S/N 21.12196 & Up)
32	907788	Clamp, T-Bolt 7.5"
33	907785	Clamp - T-Bolt 4.5"
34	907786	Clamp - T-Bolt 5.5"
42	21.23538	Trim-Lok Seal 7'
43	32.60184	Edging, Door Seal, 4'
49	21.24594	Bracket, Overflow Bottle
50	21.24865	Panel, Air Dam
54	21.24532	Screen, Front Panel
55	21.24571	Elbow, 90°
56	32.61508	Elbow, 180°
57	21.24585	Brace, Shelf Support
58	21.24166	Bottle, Overflow, 4QT

COOLING SYSTEM PRE-CLEANER ROTARY SCREEN OPTIONS

#21.00647 MODELS 200/2200T/2200TSS & 200HT/2200HT, #21.00674 (FIELD INSTALLED)

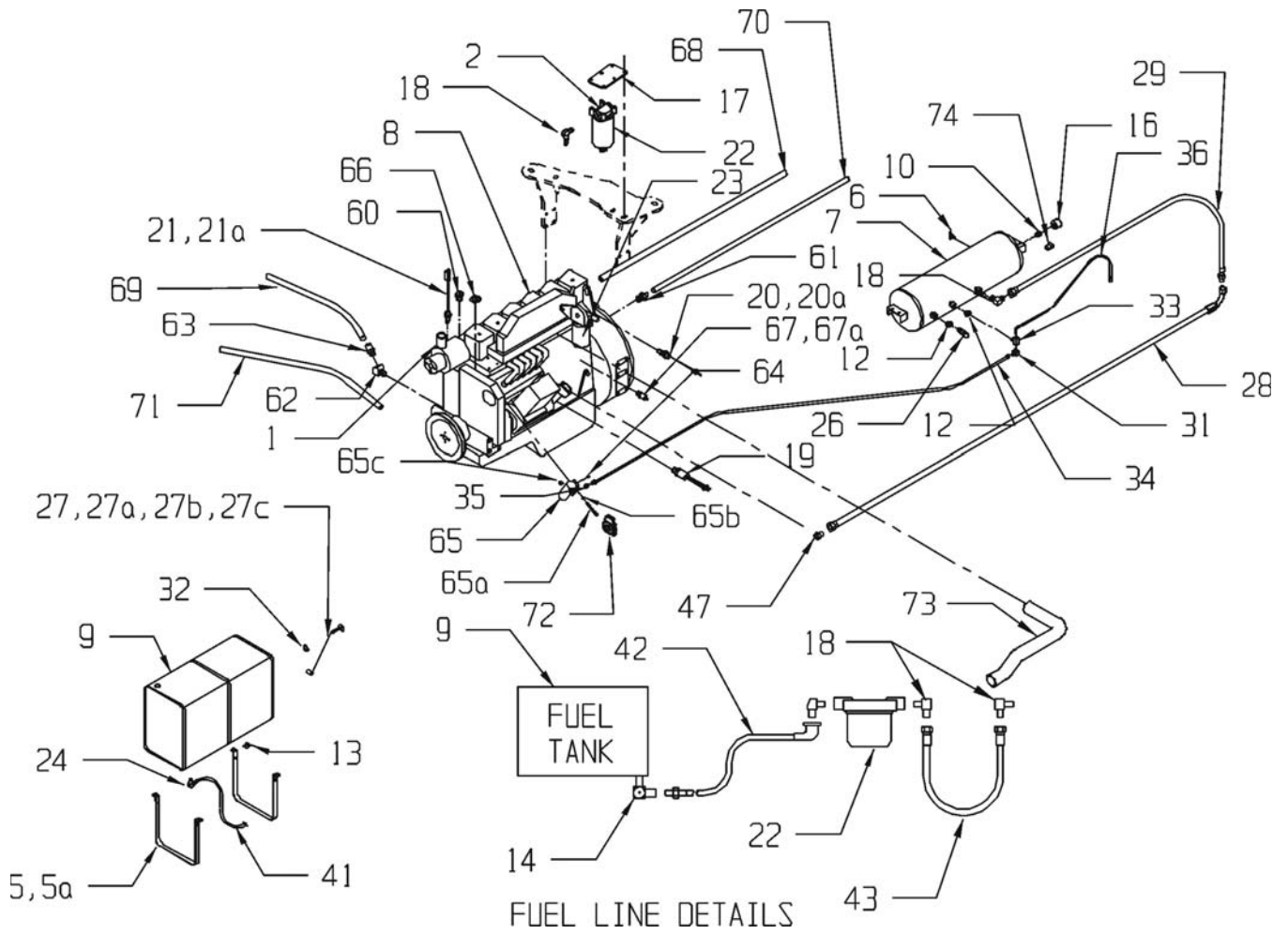


KEY	PART NO.	DESCRIPTION
0	21.00117	Rotary Screen (Complete - includes 1-8)
1	21.00938	Plastic End Cover
2	21.00937	Screen
3	21.00881	Fan Wheel
4	21.00882	Plastic Base
5	21.00860	Bearing, 1/2 ID Rotary Screen
6	21.21450	Baffle Assembly
7	907141	Flange
8	21.23411	Brush, 77", Rotary Screen
17	21.10699	Rotary Screen Weldment
21	21.10613	Screen Rod Weldment
54	21.07217	Fender Guard
55	21.07216	Rotary Screen Support

ENGINE & COOLING

THIS PAGE INTENTIONALLY BLANK

ENGINE, FUEL SYSTEM & FITTINGS, 200 HP (1 OF 2)



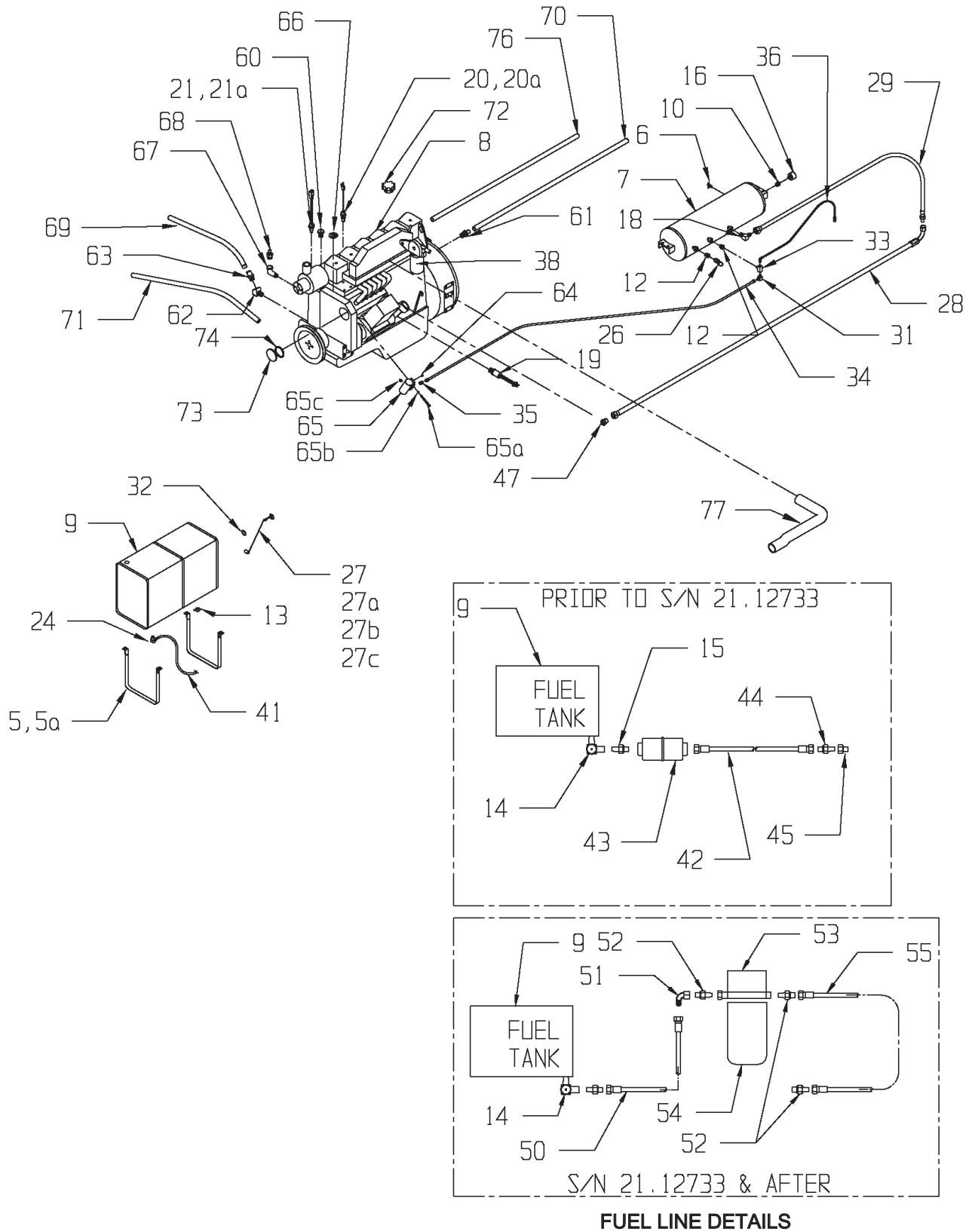
ENGINE, FUEL SYSTEM & FITTINGS, 200 HP (1 OF 2)

KEY	PART NO.	DESCRIPTION
1	21.21172	Water Pump
2	21.00162	Filter, Head
5	21.24705.5	Fuel Tank Strap (120 Gal. Tank) (S/N 21.12733 & After)
	21.09904	Fuel Tank Strap
5a	11.77800	Belting for Fuel Tank Straps (3 ft. Per Strap, Not Illustrated)
6	21.00384	Drain, Tank, ¼ " NPT
7	21.23967	Air Tank (Was 21.00179)
8	21.00625	Engine
9	21.24596	Tank, Fuel 120 Gal. (S/N 21.12733 & After)
	21.22943	Fuel Cap, 3" (Not Illustrated) for Tank 21.24596
	21.00097	Tank, Fuel (S/N 21.12266 & Prior & 21.12268 Through 21.12277)
	21.20357	Fuel Cap (Not Illustrated) for Tank 21.00097 (Small)
	21.22942	Tank, Fuel (S/N 21.12267 & 21.12278 & Up)
	21.22943	Fuel Cap (Not Illustrated) for Tank 21.22942 (Large)
10	21.00550	Bushing, ½ MNPT x 1/8 FNPT
12	21.00390	Brass Bushing
13	21.00380	3/8 NPT Drain
14	21.00378	½ NPT Fuel Shut Off
15	21.00376	½ NPT x ½ Hose Barb Strt (Used prior to S/N 21.12173)
16	21.00189	Gauge, Center Mounting 160#
17	21.09022	Bracket, Fuel Filter
18	07.19006	Elbow, M90 ½ JIC x ½ MNPT (Was 21.00376 Prior to S/N 21.12173)
19	21.00037	Oil Press Sender
20	21.22735	Temp Switch (S/N 21.12173 And Up)
20a	21.00730	Temp Switch Kit (Prior To S/N 21.12173)
21	21.22736	Temp Sender (S/N 21.12282 And Up)
21a	21.00731	Temp Sender Kit (Prior To S/N 21.12282)
22	21.00924	Fuel Filter, Primary
23	21.00925	Secondary Fuel Filter
24	21.00369	3/8 NPT x 5/16 Hose Barb, 90°
26	21.00392	Press Relief, 125 psi
27	21.24666	Sender, Fuel, Top Mount (S/N 21.12733 & After)
	21.24105	Sender, Fuel (Was 21.00087)
27a	21.25035	Gasket, Fuel Sender, Top Mount (S/N 21.12733 & After)
	907095	Screw, #10-32 x 3/8 (Used On Tank #21.00097 Only)
27b	904195	Screw, Rd Head 10-32 x 1.00 (S/N 21.12733 & After)
	21.24710	Cover, Fuel Sender (S/N 21.12733 & After)
	21.25036	Plate, Retainer, Sender Cover (S/N 21.12733 & After)
	21.23504	Washer Sealing Gaskets (5 Per) (Used On Tank #21.22942)
27c	907672	Nut 10-32 SS (5 Per) (Used On Tank #21.22942)
28	21.00456	Hose, Air Compressor Short
29	21.00420	Hose, Air Compressor Long
30	21.00391	Elbow, ¼ NPT x ¼ Pushlock
31	07.17847	Elbow, 90° Male 3/8 JIC x ¼ NPT (S/N 21.12173 & after)
	21.00391	Elbow, ¼ NPT x ¼ Pushlock (Prior to S/N 21.12173)

ENGINE, FUEL SYSTEM & FITTINGS, 200 HP (2 OF 2)

KEY	PART NO.	DESCRIPTION
32	21.24820	Gasket, Sender, Fuel (Was 21.00099 Prior to S/N 21.12149)
33	21.00264	Brass Branch Tee, ¼ NPT
34	21.21991	Hose, Air Governor (S/N 21.12173 & after)
	21.00275	Tubing, ¼ OD x 222" Long Airhose (Prior to S/N 21.12173)
35	21.21992	Connector, 1/8 MPT x 3/8 JIC (S/N 21.12173 & after)
	21.00265	Connector, 1/8 MNPT x ¼ Compression (Prior to S/N 21.12173)
36	11.80528	Tubing, Gauge .25 Black (11') (was 07.16715)
37	21.00551	Fitting, ¼" MNPT x ¼ Pushlock
41	21.21990	Hose, Fuel 5/16 x 300 Return (Was 21.00272 Prior to S/N 21.12173)
42	21.21830	Hose, Fuel ½ x 228" (S/N 21.12173 & Up)
	21.00271	Hose, ½ x 228" 100R1 (Prior to S/N 21.12173)
43	21.21828	Hose, Fuel ½" x 17 (S/N 21.12173 & Up)
	21.00274	Hose, ½ x 7 (Prior to S/N 21.12173)
47	21.22711	Adapter, -8 JIC x ¾ MPT (Was 07.19006)
60	21.00373	½ NPT x ½ Hose Barb
61	21.00370	½ NPT x 5/8 Hose Barb
62	21.00383	½ NPT Street 45°
63	21.00371	½ NPT x 1" Hose Barb
64	21.00265	1/8 NPT x ¼ Push Lock
65	21.00167	Governor
65a	903852	Bolt, 5/16-18 x 2-3/4
65b	900503	Lock Washer, 5/16
65c	904930	Elbow Street, 1/8
65d	32.61900	Governor, Gasket
66	21.20534	Thermostat
67	21.20380	Solenoid, Fuel Shutoff
67a	21.21720	Kit, Fuel Shutoff
68	21.21150	Hose, 1" Diameter 26" Long - Comp. To Head
69	21.00269	Hose, 1" Diameter 45" Long - Deaeration
70	21.00267	Hose, 5/8" Diameter 138" Long - Heater
71	21.00268	Hose ¾" Diameter 168" Long - Heater
72	21.22554	Body Unloading Valve, 200 CMP
73	21.22944	Hose, Air Compressor Intake, 200
74	907716	Plug - SS Pipe 1/2-14 SQ HD

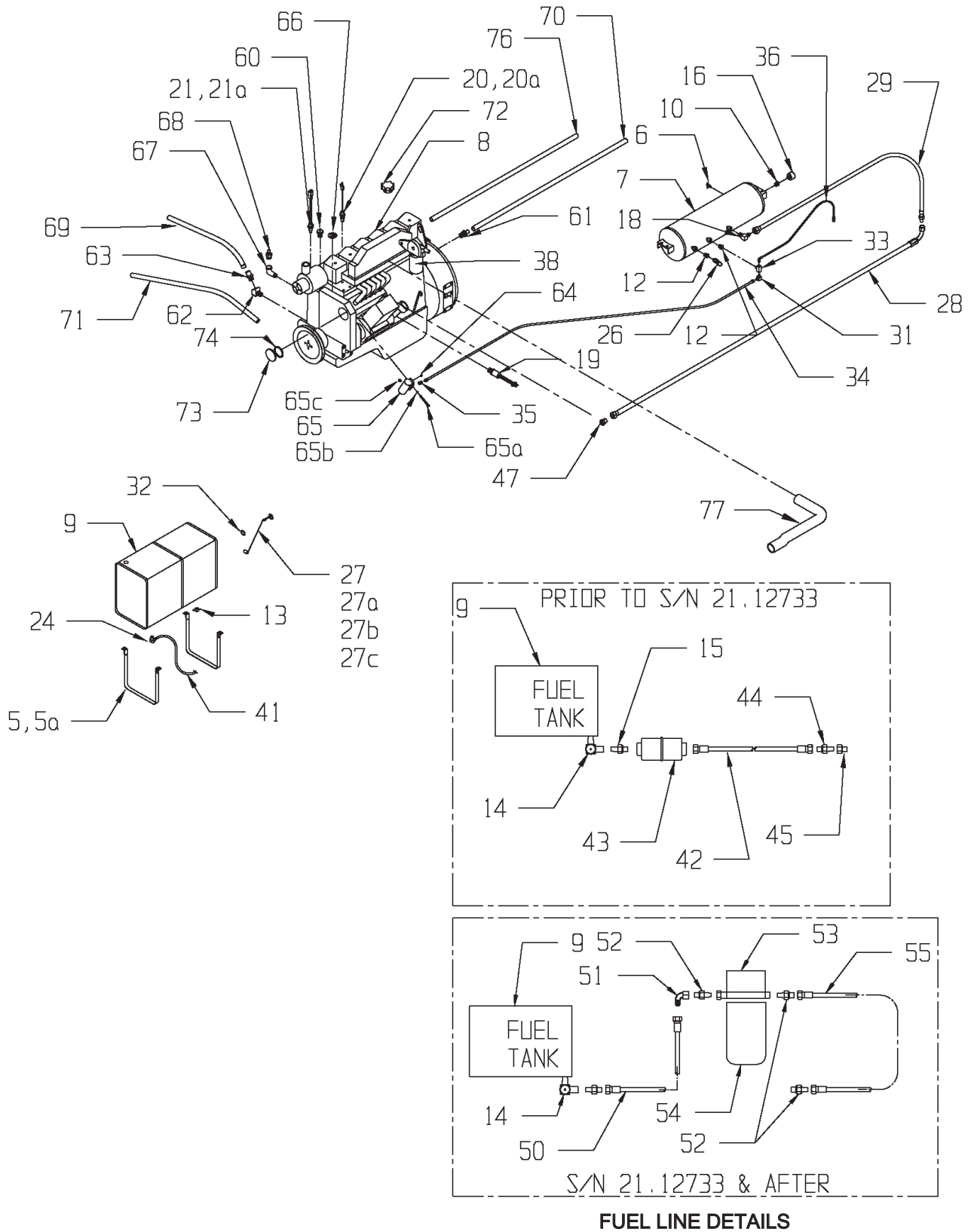
ENGINE, FUEL SYSTEM & FITTINGS, 275 HP (1 OF 2)



ENGINE, FUEL SYSTEM & FITTINGS, 275 HP (1 OF 2)

KEY	PART NO	DESCRIPTION
5	21.24705.5	Fuel Tank Strap (120 Gal. Tank) (S/N 21.12733 & After)
	21.09904	Fuel Tank Strap
5a	11.77800	Belting for Fuel Tank Straps (3 ft. Per Strap, Not Illustrated)
6	21.00384	Drain, Tank, ¼ NPT
7	21.23967	Air Tank (Was 21.00179)
8	21.24539	Engine, Cummins 275HP Tier III (S/N 21.12733 & After)
	21.22346	Engine Cummins 275HP Tier II (Was 21.20074 Prior To S/N 21.12294)
9	21.24596	Tank, Fuel 120 Gal. (S/N 21.12733 & After)
	21.22943	Fuel Cap, 3" (Not Illustrated) for Tank 21.24596
	21.00097	Tank, Fuel (S/N 21.12266 & Prior & 21.12268 Through 21.12277)
	21.20357	Fuel Cap (Not Illustrated) for Tank 21.00097 (Small)
	21.22942	Tank, Fuel (S/N 21.12267 & 21.12278 & Up)
	21.22943	Fuel Cap (Not Illustrated) for Tank 21.22942 (Large)
10	21.00550	Bushing, ½ MNPT x 1/8 FNPT
12	21.00390	Brass Bushing
13	21.00380	3/8 NPT Drain
14	21.00378	½ NPT Fuel Shut Off
15	21.21836	Adapter, 7/8-14 JIC x ½" MPT (S/N 21.12173 & Up)
	21.00376	½ NPT x ½ Hose Barb Strt (Prior to S/N 21.12173)s
16	21.00189	Gauge, Center Mounting 160#
17	21.20943	Reducer, 10/8 VIC
18	07.19006	½ NPT x ½ JIC 90°
19	21.00037	Oil Press Sender
20	21.22735	Temp Switch (S/N 21.12173 And Up)
20a	21.00730	Temp Switch Kit (Prior To S/N 21.12173)
21	21.22736	Temp Sender (S/N 21.12285 And Up)
21a	21.00731	Temp Sender Kit (Prior To S/N 21.12285)
23	21.21105	Filter, Fuel
	21.21106	Water In Fuel Sensor
24	21.00369	3/8 NPT x 5/16 Hose Barb 90°
26	21.00392	Press Relief, 125 psi
27	21.24666	Sender, Fuel, Top Mount (S/N 21.12733 & After)
	21.24105	Sender, Fuel (Was 21.00087)
27a	907095	Screw, #10-32 x 3/8 (Used On Tank #21.00097 Only)
	21.25035	Gasket, Fuel Sender, Top Mount (S/N 21.12733 & After)
27b	904193	Screw, Rd Head 10-32 x 1.00 (S/N 21.12733 & After)
	21.24710	Cover, Fuel Sender (S/N 21.12733 & After)
	21.25036	Plate, Retainer, Sender Cover (S/N 21.12733 & After)
	21.23504	Washer Sealing Gaskets (5 Per) (Used On Tank #21.22942)
27c	907672	Nut 10-32 SS (5 Per) (Used On Tank #21.22942)
28	21.24621	Hose, Air Compressor Short (S/N 21.12733 & After)
	21.00456	Hose, Air Compressor Short
29	21.24620	Hose, Air Compressor Long (S/N 21.12733 & After)
	21.00420	Hose, Air Compressor Long
30	21.00391	Elbow, ¼ NPT x ¼ Pushlock
31	07.17847	Elbow, 90° Male 3/8 JIC x ¼ NPT
32	21.24820	Gasket, Sender, Fuel (Was 21.00099 Prior to S/N 21.12149)
33	21.00264	Brass Branch Tee, ¼ NPT
34	21.21991	Hose, Air Governor (Order w/ 07.17847 & 21.21992 Prior To SN 21.12173)

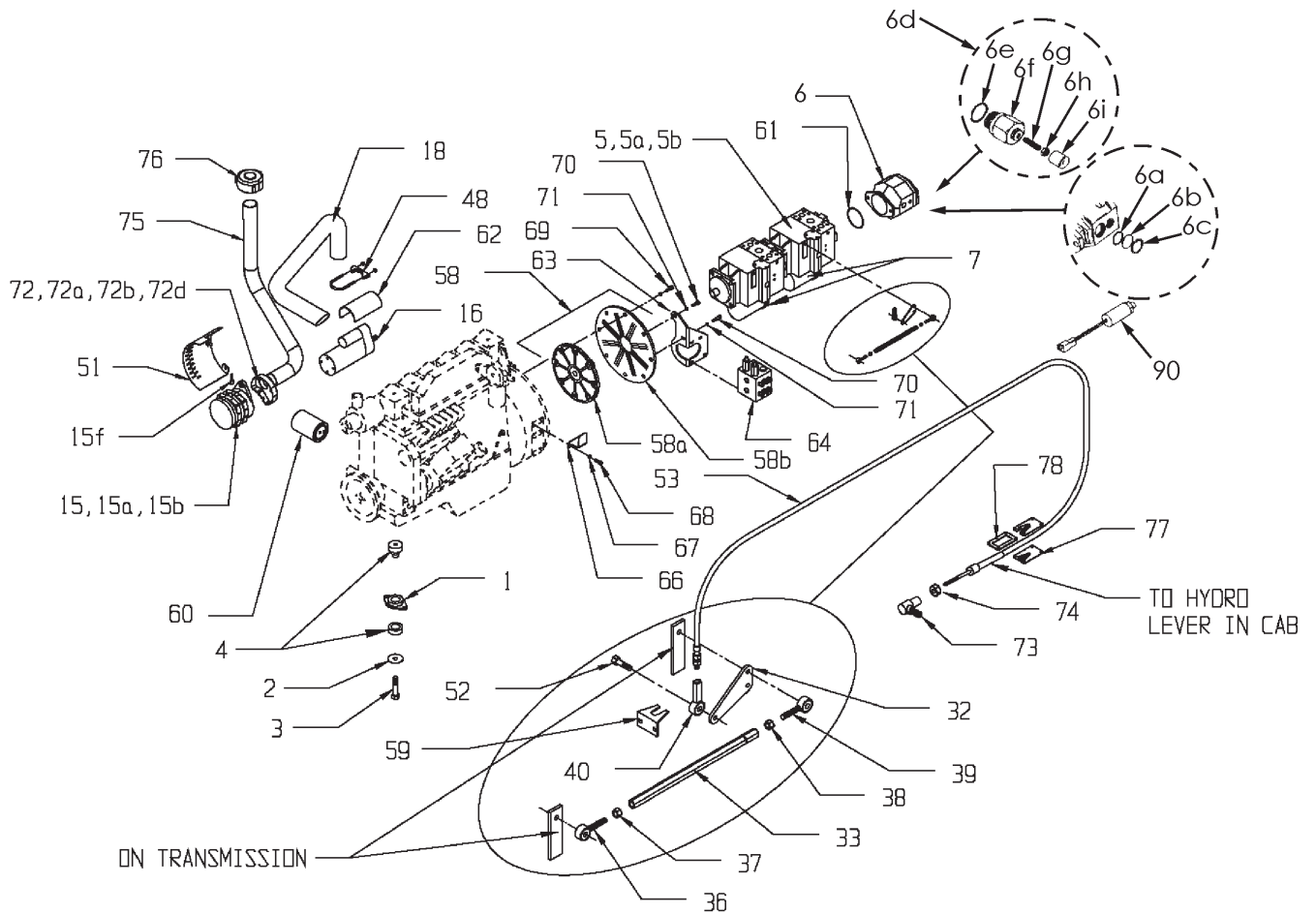
ENGINE, FUEL SYSTEM & FITTINGS, 275 HP (2 OF 2)



ENGINE, FUEL SYSTEM & FITTINGS, 275 HP (2 OF 2)

KEY	PART NO	DESCRIPTION
35	21.21992	Connector, 1/8 MPT x 3/8 JIC
36	11.80528	Tubing, Gauge .25" Black (11 ft) (Was 07.16715)
37	21.00551	Fitting, 1/4" MNPT x 1/4" Pushlock
38	21.21105	Primary Fuel Filter
41	21.21990	Hose, Fuel 5/16 x 300 Return (Was 21.00272 Prior S/N 21.12173)
42	21.21829	Hose, Fuel 1/2 x 228, (S/N 21.12173 & Up)
	21.00271	Hose, Fuel 1/2 x 228, 100R1 (Prior to S/N 21.12173)
	21.00274	Hose, 1/2 x 7, 100R1 (Prior to S/N 21.12173)
43	21.21843	Filter, Fuel (S/N 21.12173 & Up)
	21.21107	Filter, Fuel (Prior to S/N 21.12173)
44	21.21831	Adapter, 3/4 JIC x 1/4" MPT (S/N 21.12173 & Up)
45	21.21832	Adapter, M12 x 1.5 1/4" FPT (S/N 21.12173 & Up)
47	21.24608	Bushing M27-20RBX-12SAE O (S/N 21.12733 & After)
	21.20943	Reducer, -10 JIC x -8 JIC
50	21.24622	Line Fuel 1/2" x 260" (S/N 21.12733 & After)
51	21.00347	Elbow, 90° 6-ORFS (S/N 21.12733 & After)
52	21.24629	Connector, M12 x1.5 6-ORFS (S/N 21.12733 & After)
53	21.24611	Base, Fuel Filter with Filter (S/N 21.12733 & After)
54	21.24610	Filter, Fuel WIF Tier III (S/N 21.12733 & After)
55	21.24623	Line, Fuel 3/8 x 19 (S/N 21.12733 & After)
60	21.20949	1/4 NPT x 3/8 Hose Barb
61	21.00370	1/2 NPT x 5/8 Hose Barb
61a	32.00347	Bushing, SS 3/4 x 1/2 Use with item 61 (S/N 21.12733 & After)
62	907265	3/4 NPT Street 45°
63	907266	3/4 NPT x 1" Hose Barb
64	21.00265	1/8 NPT x 1/4 Push Lock
65	21.00167	Governor
65a	907210	Bolt, M8-1.25 x 75
65b	900503	Lock Washer, 5/16
65c	904903	Elbow Street, 1/8
65d	32.61900	Governor, Gasket
66	21.21158	Thermostat
67	21.20947	1/2 NPT Street 90
68	21.20948	1/2 NPT x 3/4 Hose Barb
69	21.20332	Hose, Radiator Make Up
70	21.00267	Hose, 5/8" Diameter 138" Long - Heater
71	21.00268	Hose 3/4" Diameter 168" Long - Heater
72	21.21717	Cap, Oil Fill
73	21.21718	Cap, Oil Fill Crankcase
74	21.21719	Seal, Oil Fill Crankcase Cap
75	21.22403	Speed Sensor w/O-Ring (Not Illustrated)
76	21.21150	Hose, 1" Diameter 26" long - Comp To Head
77	21.22945	Hose, Air Compressor Intake, 275

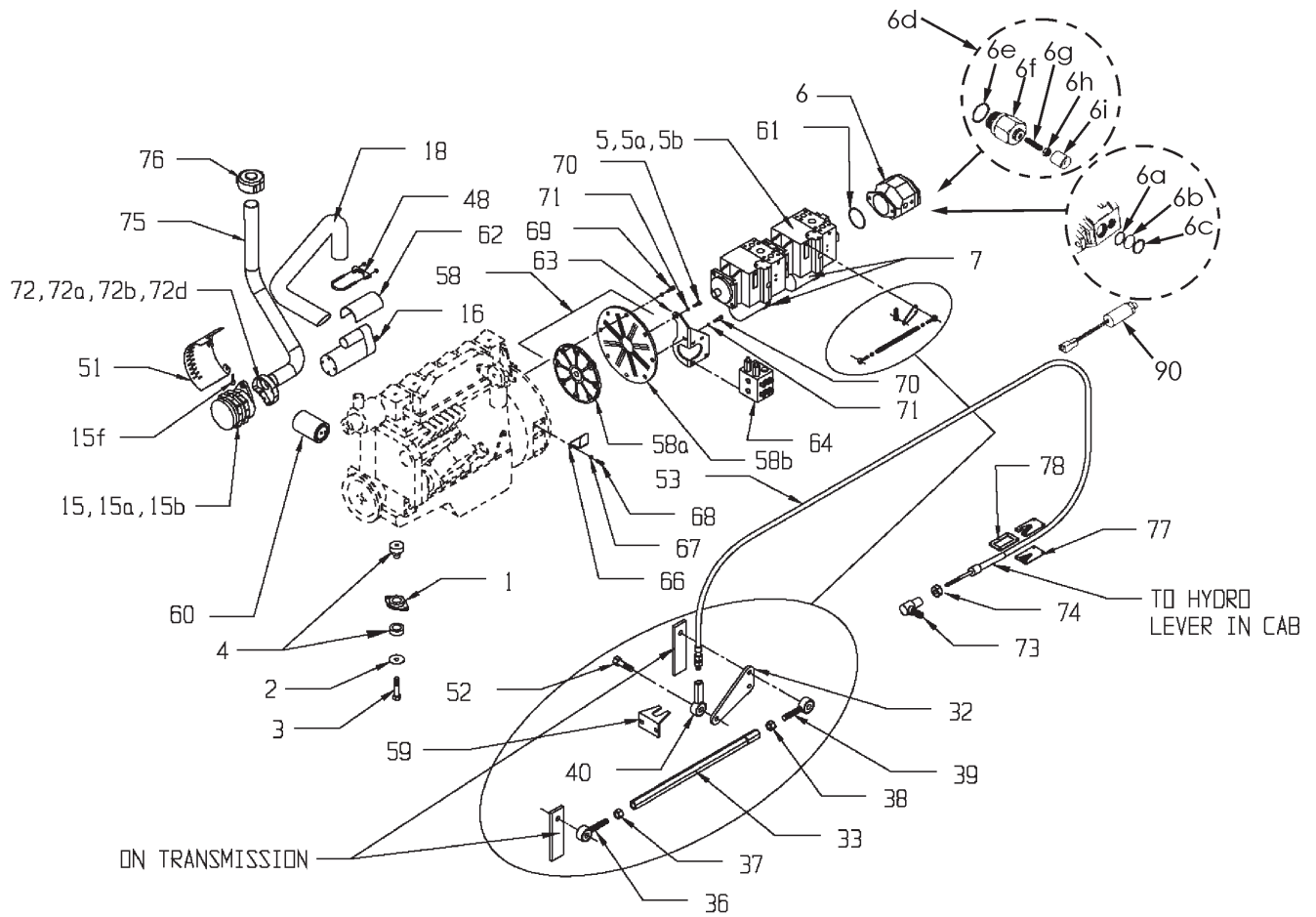
ENGINE COMPONENTS & HYDROSTATS, 200/2200T/2200TSS & 200HT/2200HT (1 OF 2)



ENGINE COMPONENTS & HYDROSTATS, 200/2200T/2200TSS & 200HT/2200HT

KEY	PART NO.	DESCRIPTION
1	21.20341	Motor Mount
2	21.21894	Snubbing Washer, SS, Engine (Was 21.20346)
3	907279	Bolt, M16-2 x 90 mm
4	21.20348	Engine Isolator (Was 21.00001)
	21.20350	Kit - Update, Radiator & Engine Mounts
5	21.00006	Hydrostat, MS-12 Machines
	21.22698	Hydrostat, MS-18 Machines
5a	21.00888	Propel Pump, Rear Closest to Engine (Reconditioned), 200/2200T/2200TSS Machines)
	21.21159	Propel Pump, Rear Closest to Engine (Reconditioned), 200HT/2200HT/2200HT Machines)
5b	21.00889	Propel Pump, Front, Furthest to Engine (Reconditioned), 200/2200T/2200TSS Machines)
	21.21160	Propel Pump, Front, Furthest to Engine (Reconditioned), 200HT/2200HT/2200HT Machines)
6	21.00044	Auxiliary Pump
	21.00044R	Auxiliary Pump, Rebuilt
6a	21.21138	O-Ring, Auxiliary Pump
6b	21.21136	Cover, Trinion
6c	21.21137	Snap Ring
6d	21.22520	Compensator Adjustment Assembly
6e	21.22517	O-Ring .093 Dia. X .875 I. D.
6f	21.22518	Adjustment Cap, Pressure
6g	21.22210	Set Screw
6h	21.22211	Nut
6i	21.22519	Cover
7	21.00921	Filter
15	21.21093	Alternator, 22SI 145/160 Amp
	21.00929R	Alternator Rebuilt, 130 AMP
	21.21108R	Alternator Rebuilt, 22SI 145/160 Amp
	21.21108	Alternator, (Off Engine) 22SI 145/160 Amp
	21.24601	Alternator, 160 Amp 24SI
	21.24601R	Alternator, Rebuilt 160 Amp 24SI
15a	21.22594	Fan - 160 Amp Alternator
15b	21.22530	Pulley - Alternator
15f	21.23153	Connector, Packard Grip
16	21.00928	Starter
	21.00928R	Starter Rebuilt
18	21.10565	Exhaust Pipe
32	21.09016	Lever, Hydro
33	21.09023	Turn Buckle, Pump 75 CC (200/2200T/2200TSS)
	21.20165	Turn Buckle, Pump 100 CC (200HT/2200HT/2200HT)
36	21.00142	RH Thread Ball Joint
37	907104	RH Thread Jam Nut
38	907105	LH Thread Jam Nut

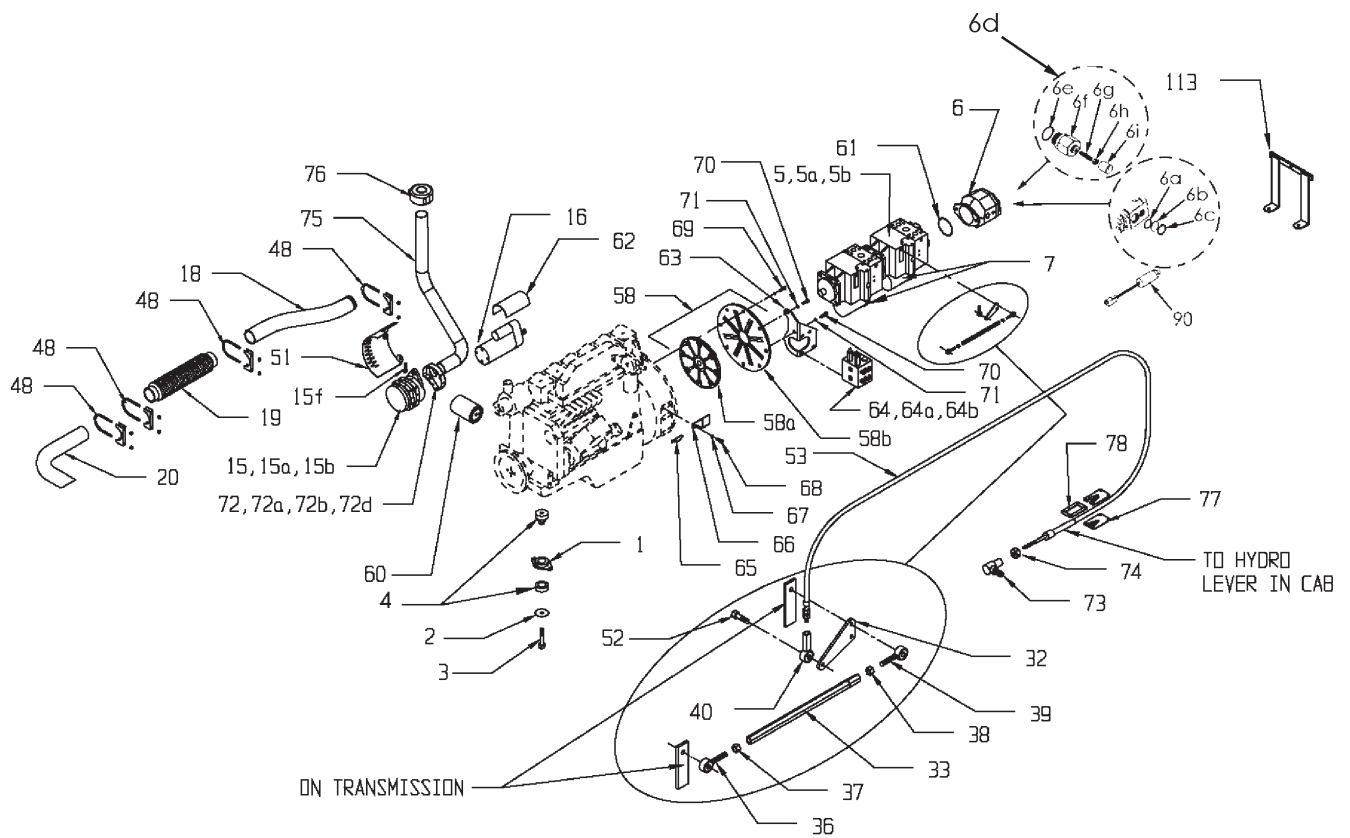
ENGINE COMPONENTS & HYDROSTATS, 200/2200T/2200TSS & 200HT/2200HT (2 OF 2)



ENGINE COMPONENTS & HYDROSTATS, 200/2200T/2200TSS & 200HT/2200HT

KEY	PART NO.	DESCRIPTION
39	21.00143	LH Thread Ball Joint
40	21.00140	Metric Ball Joint
48	907542	3" Muffler Clamp SS (Was 21.00184)
51	21.09033.5	Cover Alternator, w/ Air slots
52	814.6030	M6 Bolt x 30
53	21.24921	Hydrostat Cable (Was 21.00885)
58	21.00011	Flywheel Adapter, 75 CC Flywheel (200/2200T/2200TSS)
	21.20026	Flywheel Adapter, 100 CC Flywheel (200HT/2200HT)
58a	21.20025	Coupling, 75 CC Flywheel (200/2200T/2200TSS)
	21.20027	Coupling, 100 CC Flywheel (200HT/2200HT)
58b	21.20030	Coupling, 75/100 CC Pump Mount
59	21.10612	Bulkhead, Hydro Cable (200/2200T/2200TSS)
59a	21.20166	Bulkhead, Hydro Cable (200HT/2200HT/2200HT)
60	21.22408	Oil Filter Engine (Was 21.00923)
61	21.20393	O-Ring Hydrostat
62	21.00561	Starter Cover
63	21.20765	Bracket, Dual Shuttle Valve (S/N 21.12194 & After on 200's
64	21.20706	Shuttle, Dual Flush (S/N 21.12194 & After on 200/2200T/2200TSS) (See Page 6-12)
	21.00013	Flush Double Loop (Prior to S/N 21.12194 on 200's) Note: 21.20765 & 21.20706 are on all 200HT's (See Page 6-12)
66	21.20989	Bracket, Hydro Test Gauge Panel
67	892.11012	Lock Washer, M12
68	904630	Bolt, M12-1.75 x 35 mm
69	907085	Bolt, M10-1.5 x 30 mm G8.8
70	904422	Bolt, M10-1.5 x 35 G8.8
71	901105	Flat Washer, 3/8
72	21.23326	Cover, Alternator (S/N 21.12370 & After)
72a	21.00752	Intake Kit-Alt Air Intake (Prior To S/N 21.12370, Includes 72b,75 & 76)
72b	21.23417	Cover, Alternator (Prior To S/N 21.12370)
72d	21.22014	Kit - Trash, For Alternator (Obsolete)
73	21.21593	Ball End, Hydro Cable
74	21.21592	HHDNUT, M6
75	21.23378	Hose, Alternator Cover (S/N 21.12370 & After)
76	21.23327	Precleaner, Alternator Intake (S/N 21.12370 & After)
77	21.28036	Clamp - Drive Cable
78	21.28037	Gasket - Drive Cable
90	21.24844	Switch, Pressure, Brake (S/N 21.12733 & After)

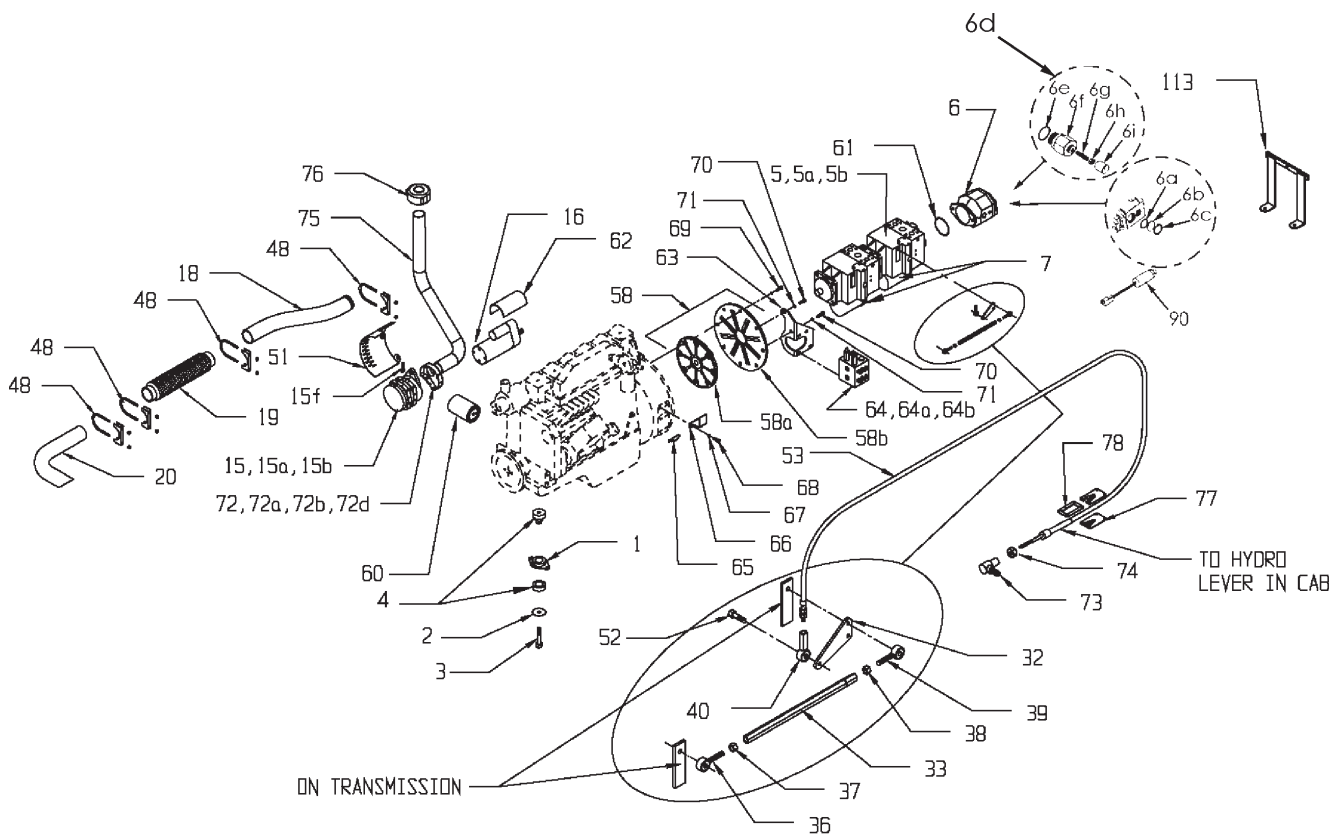
ENGINE COMPONENTS & HYDROSTATS, 275/2275HT (1 OF 2)



ENGINE COMPONENTS & HYDROSTATS, 275/2275HT (1 OF 2)

KEY	PART NO.	DESCRIPTION
1	21.20341	Motor Mount
2	21.21894	Snubbing Washer, SS, Engine (Was 21.20346)
3	907279	Bolt, M16-2 x 90 mm
4	21.20348	Engine Isolator (was 21.00001)
	21.20350	Kit - Update, Radiator & Engine Mounts
5	21.20028	Hydrostat, MS-18 Machines
5a	21.21159	Propel Pump, Rear Closest to Engine (Reconditioned), 275/2275HT Machines
5b	21.21160	Propel Pump, Front, Furthest to Engine (Reconditioned), 275/2275HT Machines
6	21.00044	Auxiliary Pump
	21.00044R	Auxiliary Pump, Rebuilt
6a	21.21138	O-Ring, Auxiliary Pump
6b	21.21136	Cover, Trinion
6c	21.21137	Snap Ring
6d	21.22520	Compensator Adjustment Assembly
6e	21.22517	O-Ring .093 Dia. X .875 I. D.
6f	21.22518	Adjustment Cap, Pressure
6g	21.22210	Set Screw
6h	21.22211	Nut
6i	21.22519	Cover
7	21.00921	Filter
15	21.21093	Alternator, 160 AMP
	21.21108R	Alternator, Rebuilt, 160 AMP
	21.21108	Alternator - 160 AMP (Off Engine)
	21.24601	Alternator - 160 Amp
	21.24601R	Alternator - Rebuilt 160 Amp
15a	21.22530	Pulley - Alternator
15b	21.22594	Fan - 160 Amp Alternator
15f	21.23153	Connector, Packard Grip
16	21.00928	Starter
	21.00928R	Starter Rebuilt
18	21.24568	Exhaust, "S" Tube (S/N 21.12733 & After)
18	21.20351	Exhaust, "S" Tube
19	21.20352	Exhaust, Flex
20	21.20353	Exhaust, Outlet
32	21.09016	Lever, Hydro
33	21.20165	Turn Buckle, Pump 100 CC (275/2275HT)
36	21.00142	RH Thread Ball Joint

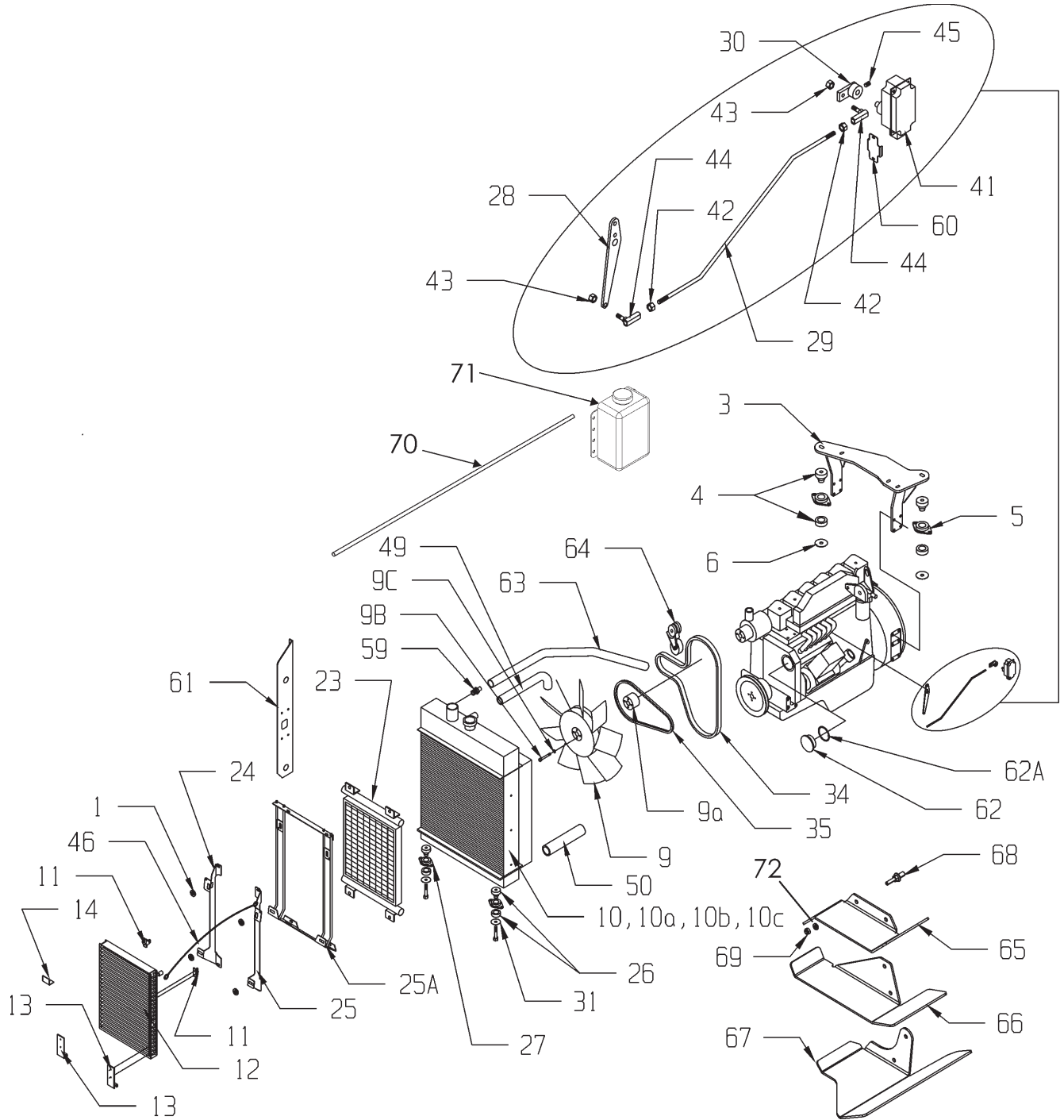
ENGINE COMPONENTS & HYDROSTATS, 275/2275HT (2 OF 2)



ENGINE COMPONENTS & HYDROSTATS, 275/2275HT (2 OF 2)

KEY	PART NO.	DESCRIPTION
37	907104	RH Thread Jam Nut
38	907105	LH Thread Jam Nut
39	21.00143	LH Thread Ball Joint
40	21.00140	Metric Ball Joint
48	907542	3" Muffler Clamp SS (Was 21.00184)
51	21.09033.5	Cover Alternator, w/ Air Slots
52	814.6030	M6 Bolt x 30
53	21.24921	Hydrostat Cable (Was 21.00885)
58	21.20026	Flywheel Adapter, 100 CC (275/2275HT)
58a	21.20027	Coupling, 100 CC Flywheel
58b	21.20030	Coupling, 75/100 CC Pump Mount
60	21.22423	Oil Filter Engine (Was 21.21103)
61	21.20393	O-Ring Hydrostat
62	21.00561	Starter Cover
63	21.20765	Bracket, Dual Shuttle Valve
64	21.20706	Shuttle, Dual Flush (Steel) (See Page 6-12)
64a	902364	Bolt, GR5 3/8-16 x 3/4
64b	900504	Lock Washer, 3/8"
65	21.24581.5	Bulkhead, Flywheel (S/N 21.12733 & After)
65	21.20470	Bracket, Flywheel Housing Bulkhead
66	21.20989	Bracket, Hydro Test Gauge Panel
67	892.11012	Lock Washer, M12
68	904630	Bolt, M12-1.75 x 35 mm
69	907085	Bolt, M10-1.5 x 30 mm G8.8
70	904422	Bolt, M10-1.5 x 35 G8.8
71	901105	Flat Washer, 3/8
72	21.23326	Cover, Alternator (S/N 21.12370 & After)
72a	21.00752	Intake Kit-Alt Air Intake (Prior To S/N 21.12370, Includes 72b,75 & 76)
72b	21.23417	Cover, Alternator (Prior To S/N 21.12370)
72d	21.22014	Kit - Trash, For Alternator (Obsolete)
73	21.21593	Ball End, Hydro Cable
74	21.21592	HHDNUT, M6
75	21.23378	Hose, Alternator Cover (S/N 21.12370 & After)
76	21.23327	Precleaner, Alternator Intake (S/N 21.12370 & After)
77	21.28036	Clamp - Drive Cable
78	21.28037	Gasket - Drive Cable
90	21.24844	Switch, Pressure, Brake (S/N 21.12733 & After)
113	21.22474	Bracket, Bulkhead Support

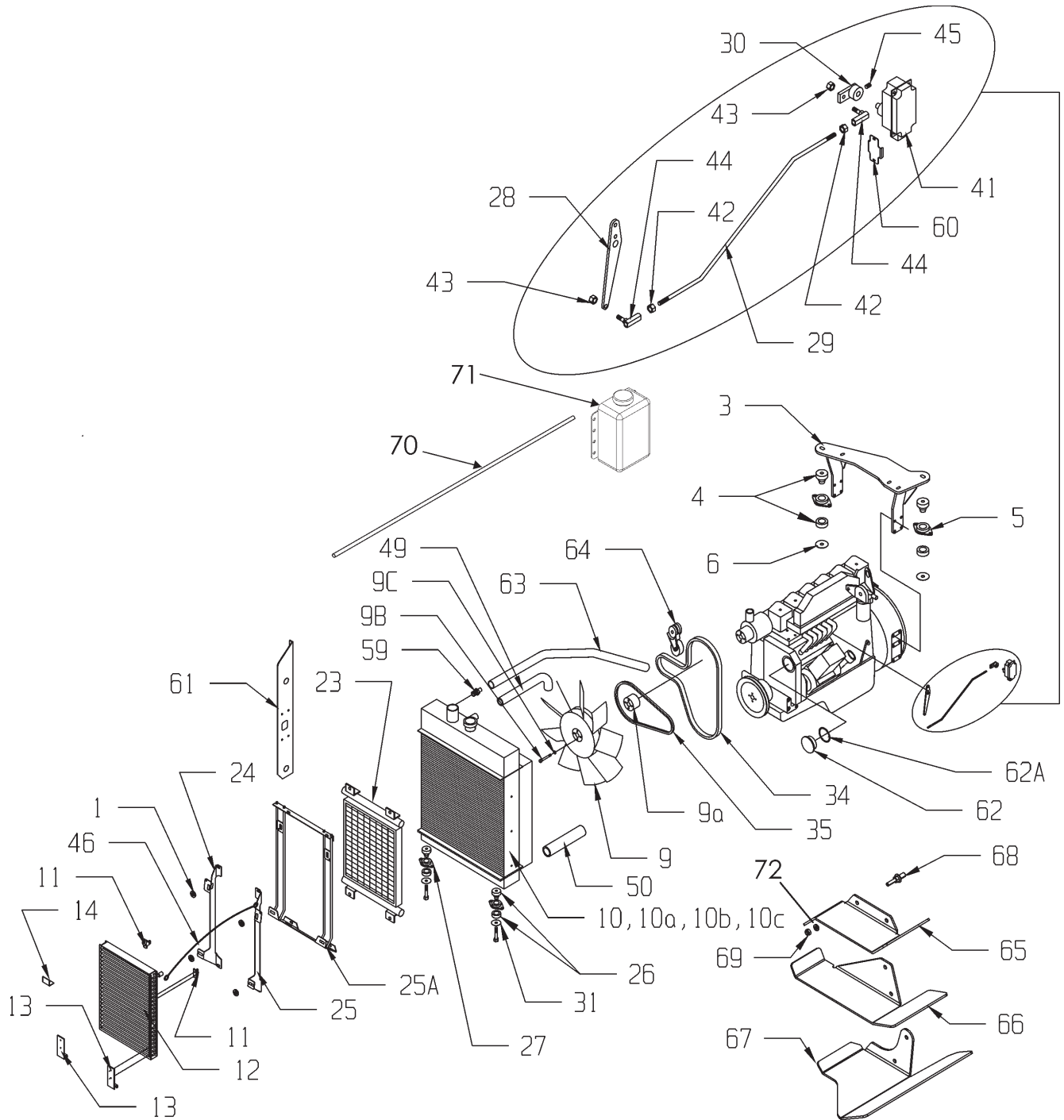
ENGINE COOLING, 200/2200T/2200TSS & 200HT/2200HT (1 OF 2)



ENGINE COOLING, 200/2200T/2200TSS & 200HT/2200HT/2200HT (1 OF 2)

KEY	PART NO.	DESCRIPTION
1	21.00196	Grommet, Rubber
3	21.09053	Mtr Mnt Weldment
4	21.20348	Engine Isolator (Was 21.00001)
	21.20350	Kit - Update, Radiator & Engine Mounts
5	21.20341	Motor Mount
6	21.21894	Snubbing Washer, SS (Was 21.20345)
9	21.20722	Fan, 9 Blade, 24" (Current Models)
	21.00019	Fan, 6 Blade (Early 200/2200T/2200TSS Models)
	21.23527	Fan, Reversing, 24"
	21.22415	Fan, Tall Radiator, 25"
9a	21.20723	Fan, Spacer
9b	907210	Bolt, M8-1.25 x 75
9c	895.11008	M8 Flat Washer
10	21.21988	Radiator (200/2200T/2200TSS w/18.75 Bottom) (S/N 21.12188 and After)
	21.00045	Radiator (200 w/20.00 Bottom) (Prior to S/N 21.12188)
	21.21989	Radiator (200HT/2200HT/2200HT w/18.75 Bottom) (S/N 21.12176 and After)
	21.20705	Radiator (200HT w/20.00 Bottom) (Prior to S/N 21.12176)
	21.23611	Radiator, 2200HT Tall (SN 21.12450 & After)
10a	21.24072	Radiator Cap, w/ or w/o Burp Bottle (Was 21.20356) (Not Illustrated)
10b	21.22490	Radiator Bottom (200/2200T/2200TSS w/18.75 Bottom)
	21.20395	Radiator Bottom (200/2200T/2200TSS w/20.00 Bottom)
	21.22497	Radiator Bottom (200HT/2200HT/2200HT w/18.75 Bottom)
	21.22498	Radiator Bottom (200HT/2200HT/2200HT w/20.00 Bottom)
	21.22499	Radiator Top (200/2200T/2200TSS)
	21.22500	Radiator top (200HT/2200HT/2200HT)
10c	21.22555	Gasket, 1.25 x 62
11	21.10687	Bracket, Heat Exchanger
12	21.22350	Condenser w/ Dryer (Was 21.00054)
13	21.10688	Bracket, Heat Exchanger
14	21.10647	Bracket, Oil Cooler Stabilizer (200/2200T/2200TSS)
	21.20632	Bracket, Oil Cooler Stabilizer (200HT/2200HT/2200HT)
23	21.00014	Oil Cooler (200/2200T/2200TSS)
	21.24879	Oil Cooler - 3200HT
24	21.10686	Support, L.H., Heat Exchanger (200/2200T/2200TSS)
25	21.10685	Support, R.H, Heat Exchanger (200/2200T/2200TSS)
25a	21.20633	Support, Heat Exchanger (200HT/2200HT/2200HT)
26	21.20349	Radiator Isolator (Was 21.00003)
	21.20350	Kit - Update, Radiator & Engine Mounts
27	21.20344	Radiator Mount
28	21.21891	Lever, Throttle, SS (Was 21.09017)

ENGINE COOLING, 200/2200T/2200TSS & 200HT/2200HT/2200HT (2 OF 2)



ENGINE COOLING, 200/2200T/2200TSS & 200HT/2200HT/2200HT (2 OF 2)

KEY	PART NO.	DESCRIPTION
29	21.09066	Linkage, Throttle
30	21.09067	Throttle Arm Holder Weldment
31	21.21893	Snubbing Washer
34	21.00939	Serpentine Belt
35	21.00057	V-Belt
41	21.00146	Throttle Motor
42	900364	Nut
43	903159	Nut
44	21.00169	Rod End
45	902059	Set Screw
46	21.00261	Lanyard
49	21.00170	Upper Radiator Hose (200/2200T/2200TSS)
	21.20785	Upper Radiator Hose (200HT/2200HT/2200HT)
	21.23955	Hose, Coolant 1 3/4 x 33 (Large Radiator)
50	21.00171	Lower Radiator Hose
59	21.00374	1/4 NPT x 1/4 Barb
60	21.10328	Hold Down Throttle
61	21.20789	Bracket, Oil Cooler Mount (200/2200T/2200TSS)
	21.20627	Bracket, Oil Cooler Mount (200HT/2200HT/2200HT)
62	21.21173	Cap Cummins Injector Pump
62a	21.21204	Gasket
63	21.20786	Hose, 1/4 Dia x 28" Long, Engine Coolant Vent (Was 21.00270)
	21.23956	Hose, Coolant 1/4 x 34 (Large Radiator)
64	21.25043	Tensioner - Belt
65	21.21300.5	Air Deflector, Top (S/N 21.12637 & Up)
66	21.21301.5	Air Deflector, Middle (S/N 21.12637 & Up)
67	21.21302.5	Air Deflector, Bottom (S/N 21.12637 & Up)
68	21.22955	Screw (S/N 21.12637 & Up)
69	907548	Nut, M6x1.0 Nylock SS (S/N 21.12637 & Up)
70	21.24189	Hose-Rad Overflow 5/16 ID x 8'
71	21.24166	Overflow Bottle - 4qt.
72	907600	Washer, Flat 3/8 Hardened
NS	21.23957	Hose, Heater 1 x 45 (Large Radiator)

ENGINE COOLING, 275/2275HT

KEY	PART NO.	DESCRIPTION
3	21.09053	Motor Mount Weldment
4	21.20348	Engine Isolator (3)
5	21.20341	Motor Mount
6	21.21894	Snubbing Washer, SS (Was 21.20345)
8	21.24515	Fan Assembly 8 Blade 30.5 Dia. (S/N 21.12733 & After)
8a	21.25547	Hub, Fan, Inner
8b	21.25548	Hub, Fan, Outer
8c	907981	Hex Bolt M6 x 25 Gr8.8
8d	907982	Hex Bolt M6 x 50 Gr10.9
8e	907529	Hex Nut M6 Nyloc
9	21.20839	Fan, 12 Blade
10	21.20840	Bushing, Fan (Obsolete) (Was On Machines Prior To S/N 21.12395)
11	21.20841	Hub - Fan (Obsolete) (Was On Machines Prior To S/N 21.12395)
12	21.20842	Guard - Fan
13	21.20872	Insert - Fan Guard
14	21.24569	Guard, Fan (S/N 21.12733 & After)
20	21.24296	Mount, Engine Tier III LH (S/N 21.12733 & After)
21	21.24563.5	Spacer, Engine Mounting (S/N 21.12733 & After)
22	21.24297	Mount, Engine Tier III RH (S/N 21.12733 & After)
31	21.22732	Bracket (S/N 21.12246 & After)
32	21.22733	Clamp, Vinyl (S/N 21.12246 & After)
33	21.22352	Radiator Assembly w/Dryer (Was 21.20845)
	21.21145	Radiator
	21.21146	Oil Cooler
	21.21147	Air to Air
	21.22351	Condenser w/Dryer (Was 21.21148)
33a	21.24072	Radiator Cap w/ or w/o Burp Bottle (Was 21.20356)
34	21.21104	Serpentine Belt
	21.25239	Serpentine Belt (S/N 21.12733 & After)
35	21.20836	V-Belt
36	21.25504	Cooler Assembly W/Dryer (S/N 21.12733 & After)
	21.25506	Radiator (S/N 21.12733 & After)
	21.24527	Cooler, Oil (S/N 21.12733 & After)
	21.24528	Cooler, Charge Air (S/N 21.12733 & After)
37	21.24922	Condenser A/C (S/N 21.12733 & After)

KEY	PART NO.	DESCRIPTION
38	21.24576	Tube, CAC Upper (S/N 21.12733 & After)
39	21.24577	Tube, CAC, Lower (S/N 21.12733 & After)
40	21.31598	Elbow, 90° CAC Lower (S/N 21.12733 & After)
58	901292	Pin. Cotter 5/32 x 1-1/4 (S/N 21.12733 & After)
59	902898	Machinery Bushing 5/8 x 1.00 x 18Ga. (S/N 21.12733 & After)
60	907653	Nut, Slotted, 5/8-18 (S/N 21.21733 & After)
61	21.24586	Hyd. Motor, Fan Tier III (S/N 21.12733 & After)
62	21.21173	Cap, Cummins Injector Pump
62a	21.21204	Gasket
63	907264	Radiator Mount
64	21.23380	Hydraulic Fan Motor (Was 21.20843, Was 21.22906 Prior To S/N 21.12395)
64a	21.20844	Relief Valve (Not Shown)
64b	21.24740	Seal Kit, 275 Fan Motor
65	21.30220	Pump, Fan Tier III (S/N 21.12733 & After)
	21.20847	Pump - Fan Pump
65a	21.21262	Gasket
65b	907325	Socket HD Screw M10 x 1.5 x 35MM
66	21.20330	Hose - Radiator, Lower
67	21.20331	Hose - Radiator, Upper
68	21.20332	Hose - Radiator, Makeup
		1-3/8 OD x 56
69	21.20335	Hose, Air 3" Hump
70	21.20334	Clamp, 3.12" Air Intake
71	21.20338	Tube, CAC Upper
72	21.20337	Tube, CAC Lower
73	21.20336	Elbow, 90° CAC
74	21.20333	Hose, Radiator 275/2275HT Vent
75	21.23398	Hub Tapered Fan Motor 2275HT
76	21.24189	Hose-Rad Overflow 5/6 ID x 8'
77	21.24166	Overflow Bottle - 4 qt
78	21.24249	Pad - 275 Radiator Support - Field
79	21.25042	Tensioner - Belt 275HP

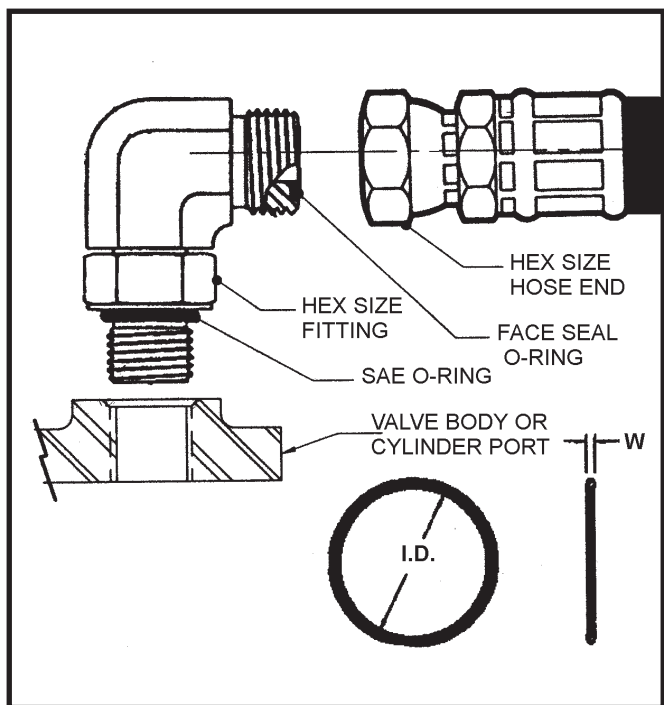
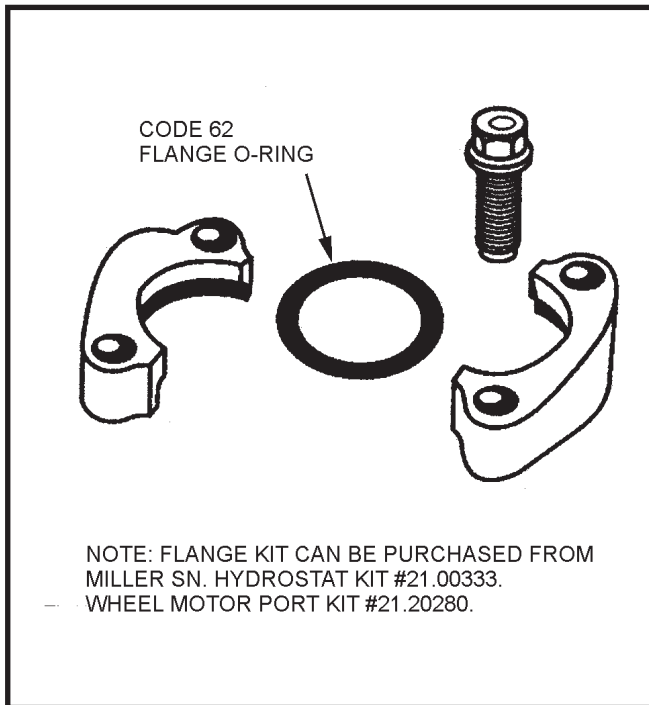
THIS PAGE INTENTIONALLY BLANK

HYDRAULICS

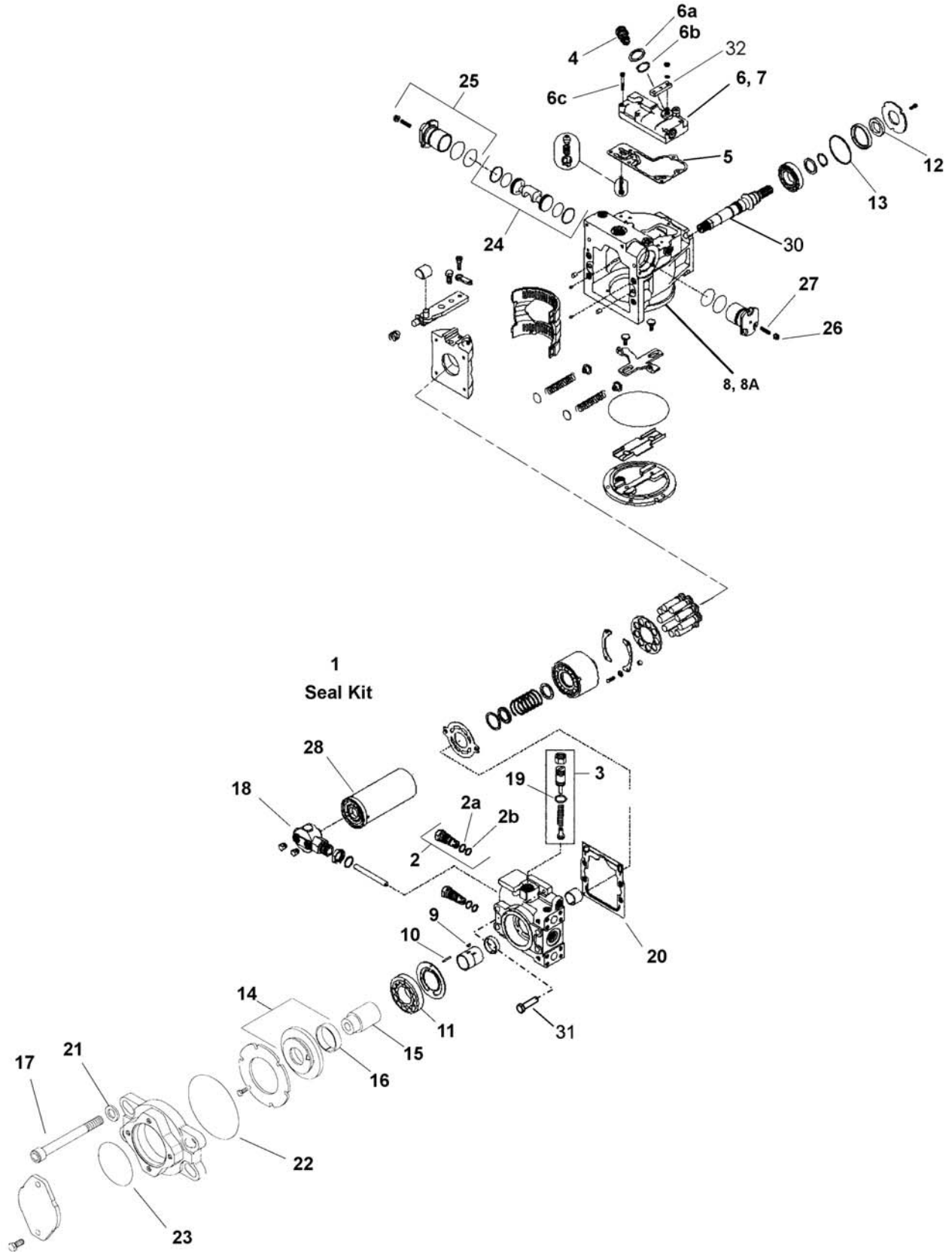
O-RING SERVICE PARTS FOR FITTINGS

(KIT #21.00672 INCLUDES 3 OF EACH SEAL)
(ONE KIT SENT WITH EACH MACHINE)

SAE O-RING							
PART NO.	DESCRIPTION	PARKER #	TUBE FITTING SIZE	TUBE O.D.	I.D.	W	HEX FITTING SIZE
21.00900	PORT O-RING	3-904-N0552	4	1/4	0.35	0.07	5/8
21.00901	PORT O-RING	3-906-N0552	6	3/8	0.41	0.07	3/4
21.00902	PORT O-RING	3-908-N0552	8	1/2	0.64	0.09	7/8 15/16
21.00903	PORT O-RING	3-912-N0552	12	3/4	0.92	0.12	1-1/4 1-3/8
21.00904	PORT O-RING	3-916-N0552	16	1	1.17	0.12	1-1/2 1-5/8
21.00905	PORT O-RING	3-920-N0552	20	1-1/4	1.48	0.12	1-7/8
FACE SEAL O-RING (ORFS)							
21.00906	ORFS HOSE END O-RING	2-011-N0552	4	1/4	0.30	0.07	9/16
21.00907	ORFS HOSE END O-RING	2-012-N0552	6	3/8	0.36	0.07	11/16
21.00908	ORFS HOSE END O-RING	2-014-N0552	8	1/2	0.49	0.07	7/8
21.00909	ORFS HOSE END O-RING	2-018-N0552	12	3/4	0.74	0.07	1-1/4
21.00910	ORFS HOSE END O-RING	2-021-N0552	16	1	0.93	0.07	1-1/2
21.00911	ORFS HOSE END O-RING	2-025-N0552	20	1-1/4	1.18	0.07	2
CODE 62 FLANGE O-RING							
21.00920	HYDROSTAT PORT	711510-4	16	N/A	1.296	0.139	
21.21199	WHEEL MOTOR PORT (MODELS 200HT/2200HT & 275/2275HT)	711510-5	12	N/A	0.984	0.139	



HYDROSTAT



HYDROSTAT

KEY	PART NO. 200	PART NO. 200HT/2200HT/ 275/2275HT	DESCRIPTION
0	21.00006	21.22698	Tandem Pump Assembly (Was 21.20028)
1	21.00840	21.21161	Seal Kit, Single Pump
2	21.00836	21.00836	Multifunction Valve
2a	21.22556	21.22556	O-Ring
2b	21.22557	21.22557	O-Ring
3	21.00837	21.00837	Charge Pump Relief
4	21.21526	21.21526	Neutral Start Switch (S/N 21.12142 and Up)
	21.21527	21.21527	Neutral Start Switch Kit (Prior to S/N 21.12142) (Was 21.00845)
5	21.00841	21.00841	Control Gasket
6	21.00838	21.00838	Manual Displacement Control w/Neutral Start Switch
6a	21.21387	21.21387	O-Ring
6b	21.21388	21.21388	Retaining Ring
6c	21.21389	21.21389	Screw
7	21.00839	21.00839	Manual Displacement Control w/o Neutral Start Switch
8	21.00888	21.21159	Propel Pump, Rear, Closest to Engine
8a	21.00889	21.21160	Propel Pump, Front, Furthest from Engine
9	21.20778	21.20778	Key
10	21.21149	21.20779	Pin
11	21.20780	21.20777	Charge Pump Set
12	21.21178	21.21176	Seal, Lip
13	21.21179	21.21177	O-Ring
14	21.21206	21.21206	Cover Assembly, C.W.
15	21.21207	21.21207	Coupling
16	21.21208	21.21208	Bushing
17	NA	907539	Bolt, Soc. HD 16mm x 140mm Grade 10.9 (Was 907407 Prior To S/N 21.12241)
	907544	NA	Bolt Soc. HD 16 mm x 130 mm Grade 10.9 (Was 907176)
18	21.21241	21.21241	Head Filter, Hydro
19	21.22194	21.22194	O-Ring, Charge Setting
20	21.22204	21.22205	Gasket, End Cap
21	907177	907177	Washer
22	21.25490	21.25490	Kit, O-Ring, Hydrostat (158 Or 048 Between Hydro's)
23	21.20393	21.20393	O-Ring, Hydrostat (044 Between Hydro & Aux Pump)
24	21.22559	21.22558	Servo Piston Kit
25	21.22561	21.22560	Displacement, Limiter Kit, Limitation
26	21.21326	21.21326	Nut
27	21.21325	21.21325	Screw
28	21.00921	21.00921	Filter Cartridge
30	21.23462	21.23463	Shaft
31	907679	907679	SHCS - M8-1.25 x 45mm Gr 12.9
32	21.31645	21.31645	Control Link S/A

CONTROL CONCEPTS VALVE

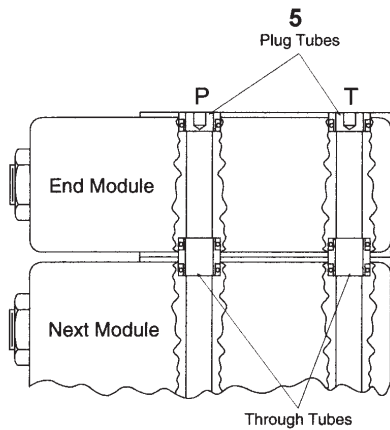
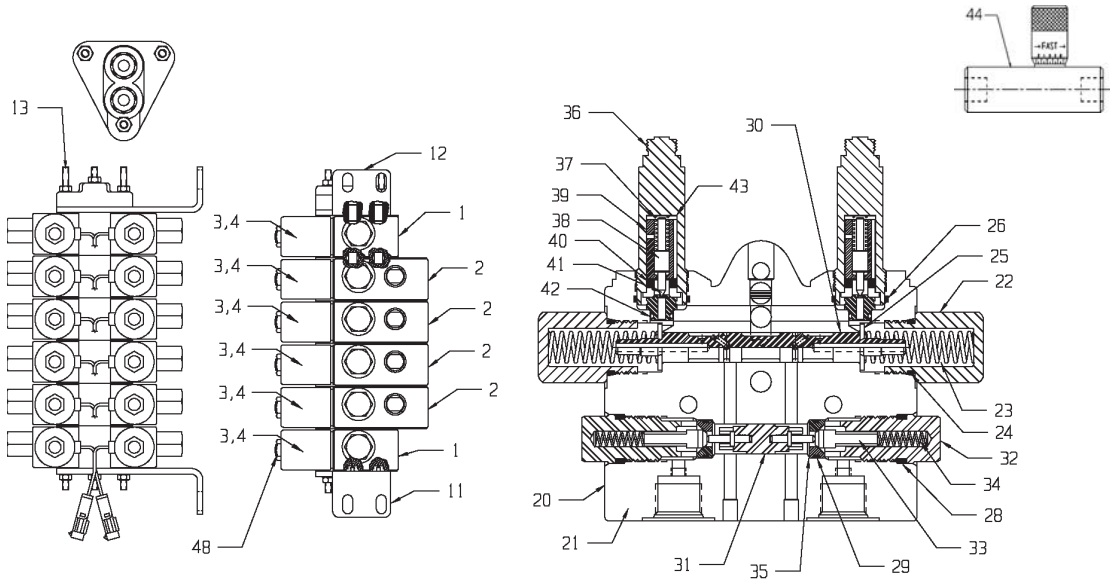
BOOM VALVE

#21.21926 60' (S/N 21.12191 & AFTER)

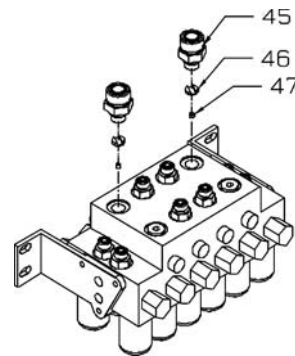
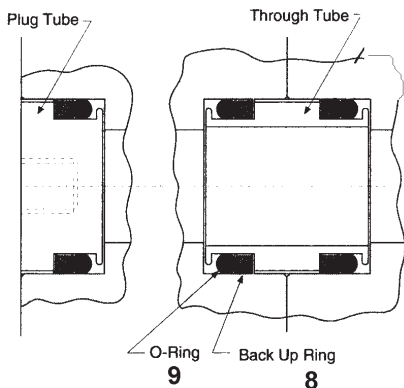
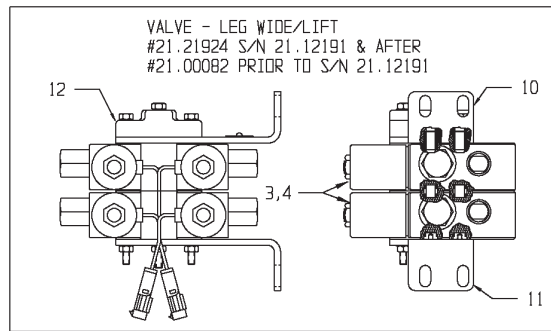
#21.00560 60' (PRIOR TO S/N 21.12191)

#21.21925 75' THROUGH 100' (S/N 21.12191 & AFTER)

#21.00083 75' THROUGH 100' (PRIOR TO S/N 21.12191)



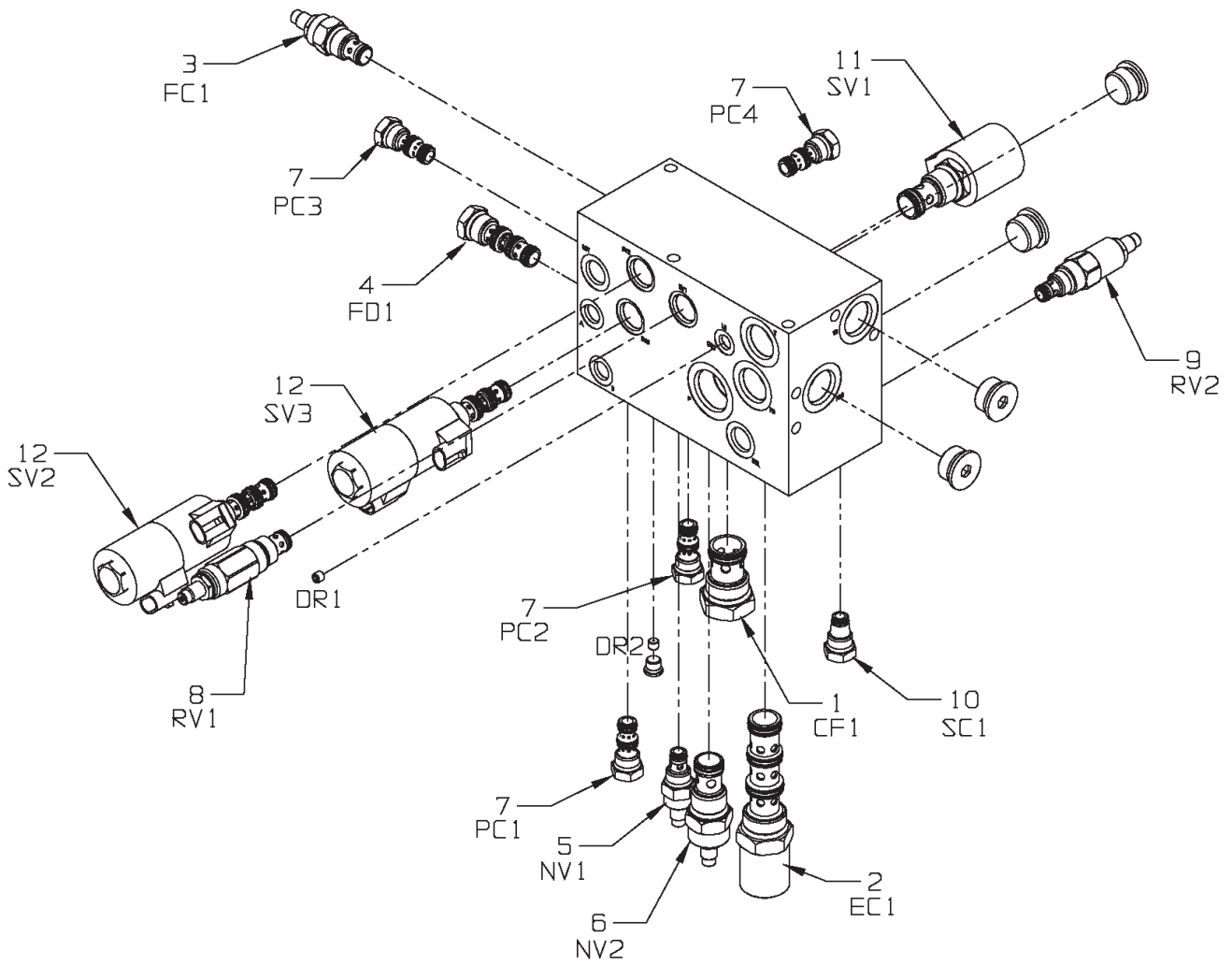
6, 7



BOOM VALVE

KEY	PART NO.	DESCRIPTION
1	21.00930	Section, 3 pos, 4-way w/o PO Checks
2	21.00931	Section, 3 pos, 4-way w/ PO Checks
3	21.22093	Coil, w/Weather Pack (was 21.22092) (S/N 21.12191 and After)
	21.00932	Coil w/Stud (Prior to S/N 21.12191)
4	21.00933	Cover, Coil, Control Concept
5	21.00876	Plug Tube
6	21.00877	Standard Through Tube Assembly
	21.00878	Long Through Tube Assembly
7	21.00878	Long Through Tube
8	21.00879	Back-up Ring
9	21.00880	O-Ring
10	21.22202	Bracket, Mounting, Left
11	21.22203	Bracket, Mounting, Right
12	21.22201	Cap End, w/Ports, SAE 8
13	21.23164	Tie Rod, 6-Section
20	21.22358	Body, Valve Spool, Mod Dbl Plt (Not Illustrated)
21	21.22357	Body, Valve Spool, Mod w/Checks
22	21.22359	Cap, End
23	21.22360	Spring, OD .615, FL1.817, SR 350.0
24	21.22361	O-Ring, Buna, 2,014,90
25	21.22362	Spring Retainer
26	21.22363	O-Ring, Viton, 2,019,90
27	21.22504	Pilot Assembly
28	21.22364	O-Ring, Buna, 2,114,90
29	21.22365	O-Ring, Buna, 2,014,90
30	21.22366	Spool, Open Center
31	21.22367	Assembly, Spool, Shuttle
32	21.22368	Cap, End
33	21.22369	Poppet
34	21.22370	Spring, OD, 240, FL.94, SR11.7
35	21.22371	Seat
36	21.22372	Assembly, Sleeve, THD, 501 NC
37	21.22373	Spring, OD. 240, FL.750, SR28
38	21.22374	Poppet, Normally Closed
39	21.22375	Armature, Normally Closed
40	21.22376	Pole Piece, Normally Closed
41	21.22377	Orifice, .040
42	21.22378	O-Ring, Buna, 2,010,90
43	21.22379	Washer, 501 Normally Closed
44	21.22903	Valve Flow Control (Opt) (standard on 100' boom)
45	21.23453	Conn - 8 ORST/12 ORFS, Modified (100' Boom)
46	21.23455	Orifice - 8 ORB One Way .036" (100' Boom)
47	21.00258	Orifice - 1/4-20 x .072" Set Screw
48	21.24925	Nut, Stamped - 1/2-20, CC Valve

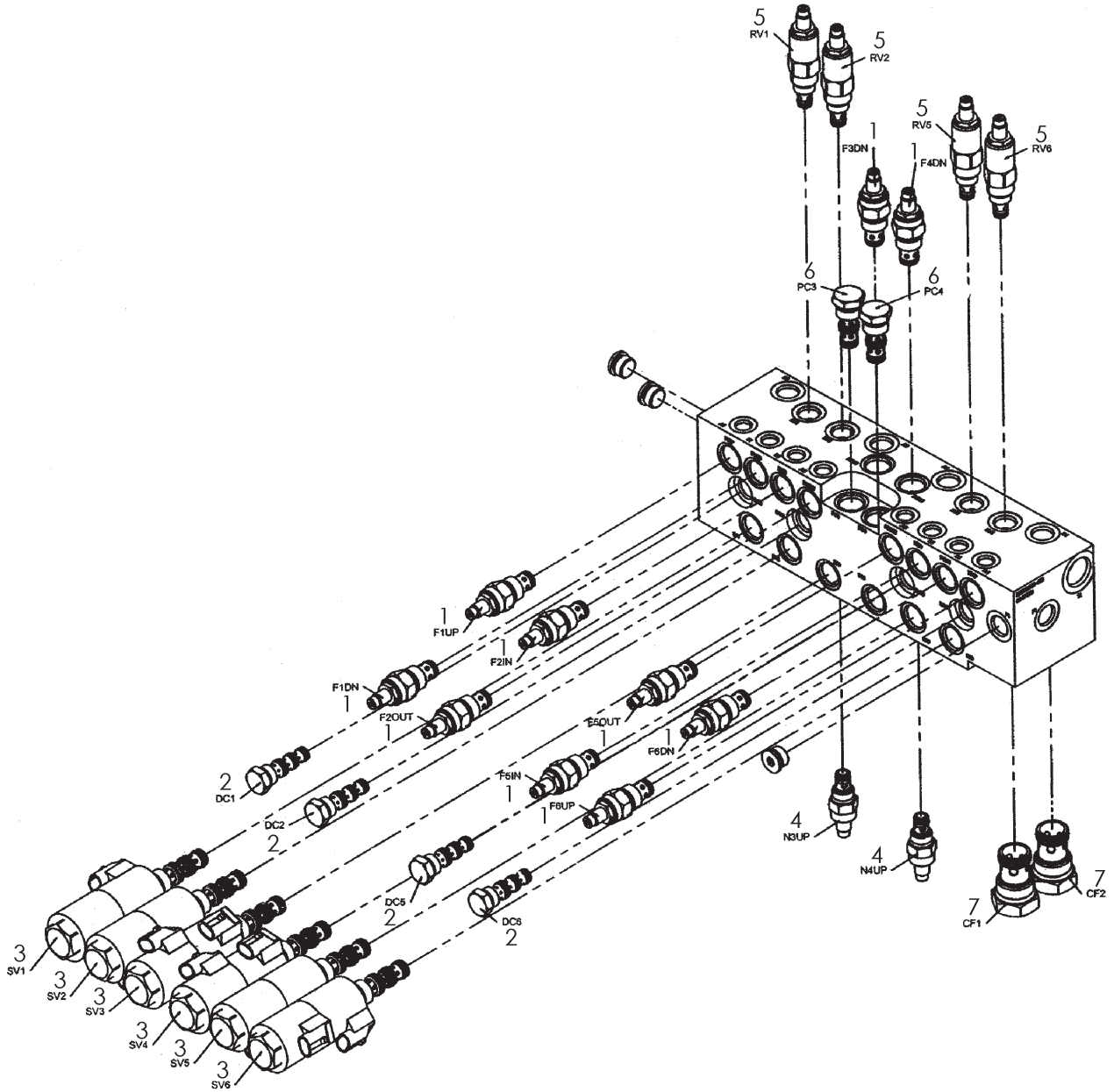
21.24682 - VALVE, INTEGRATED MANIFOLD N1-3275HT (S/N 21.12733 & AFTER)



**21.24682 - VALVE, INTEGRATED MANIFOLD
N1-3275HT (S/N 21.12733 & AFTER)**

KEY	PART NO.	DESCRIPTION
1	21.41807	Cartridge Filter
	21.41809	Seal Kit
2	21.23740	Valve, Priority, Steering
	21.25521	Seal Kit
3	21.25518	Valve, Lift Arm Lower (Adj)
	21.25522	Seal Kit
4	21.25519	Valve, Tread Width Flow Divider
	21.25523	Seal Kit
5	21.41804	Needle Valve
	21.25524	Seal Kit
6	21.25520	Valve, Product Pump Max. Flow
	21.25525	Seal Kit
7	21.23738	Valve, Pilot Operated, Check
	21.25526	Seal Kit
8	21.23742	Main System Relief Valve
	21.25527	Seal Kit
9	21.23741	Priority Relief Valve
	21.25524	Seal Kit
10	21.23737	Screen
	32.03958	Seal Kit
11	21.23734	Cartridge, On/Off Valve w/ Coil
	21.25529	Seal Kit
	21.22136	Coil
	32.03962	Coil Nut
12	21.23735	Cartridge, Lift Cylinder w/ Coil
	32.04552	Seal Kit
	21.22136	Coil
	32.03962	Coil Nut
	32.04553	Coil Spacer

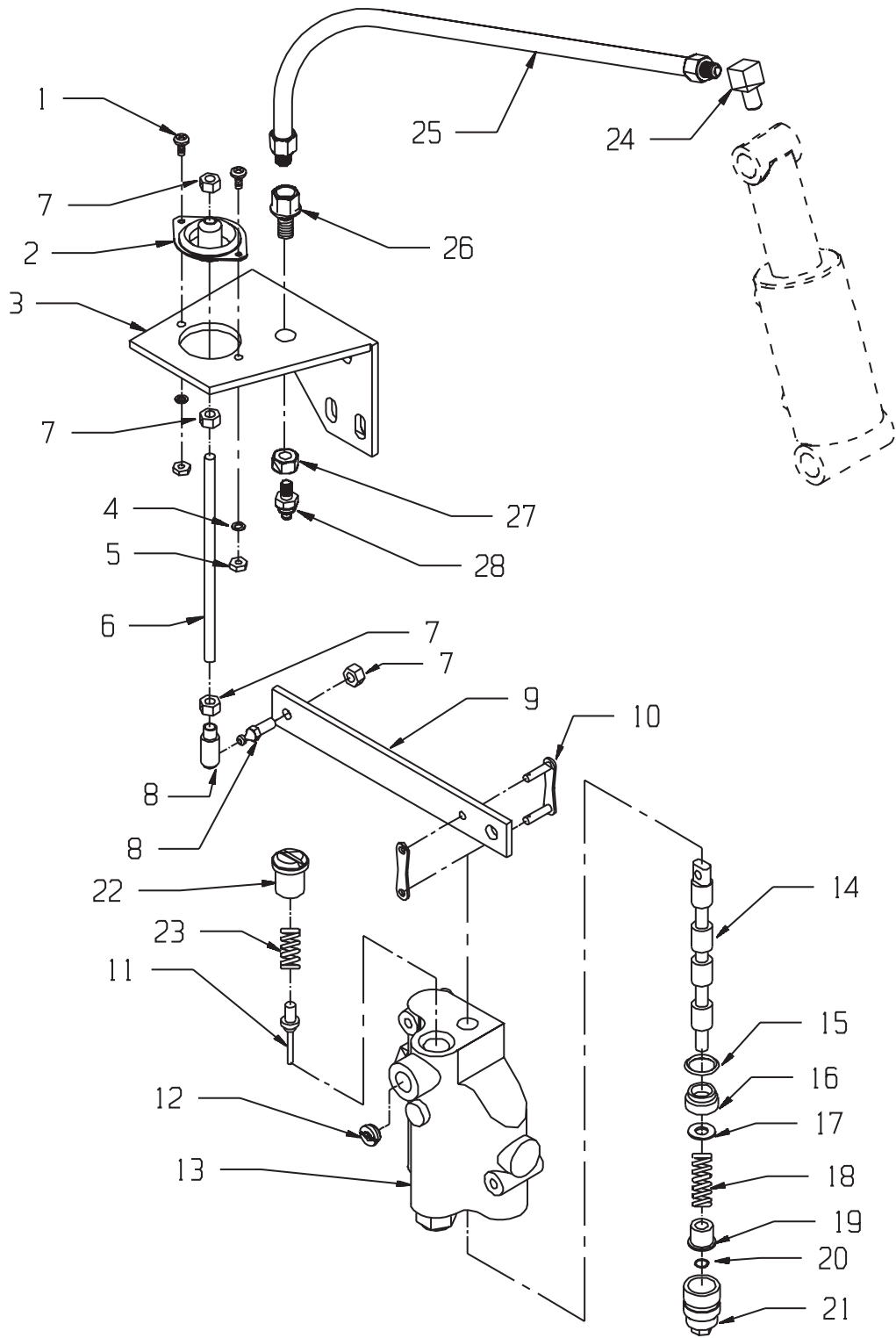
21.25246 - MANIFOLD, BOOM 3275HT (S/N 21.12733 & AFTER)



**21.25246 - MANIFOLD, BOOM
3275HT (S/N 21.12733 & AFTER)**

KEY	PART NO.	DESCRIPTION
1	21.41801	Flow Control Valve
	21.41810	Seal Kit
2	21.41802	Pilot Operated Check Valve
	21.41811	Seal Kit
3	21.23735	Cartridge, Lift Cylinder w/ Coil
	21.41812	Seal Kit
	21.22136	Coil
	32.03962	Coil Nut
	32.04553	Coil Spacer
4	21.41804	Needle Valve, R & L Tilt Speed
	21.41803	Seal Kit
5	21.41805	Relief Valve
	32.03958	Seal Kit
6	21.41806	Pilot Operated Check Valve
	21.41808	Seal Kit
7	21.41807	Cartridge Filter
	21.41809	Seal Kit

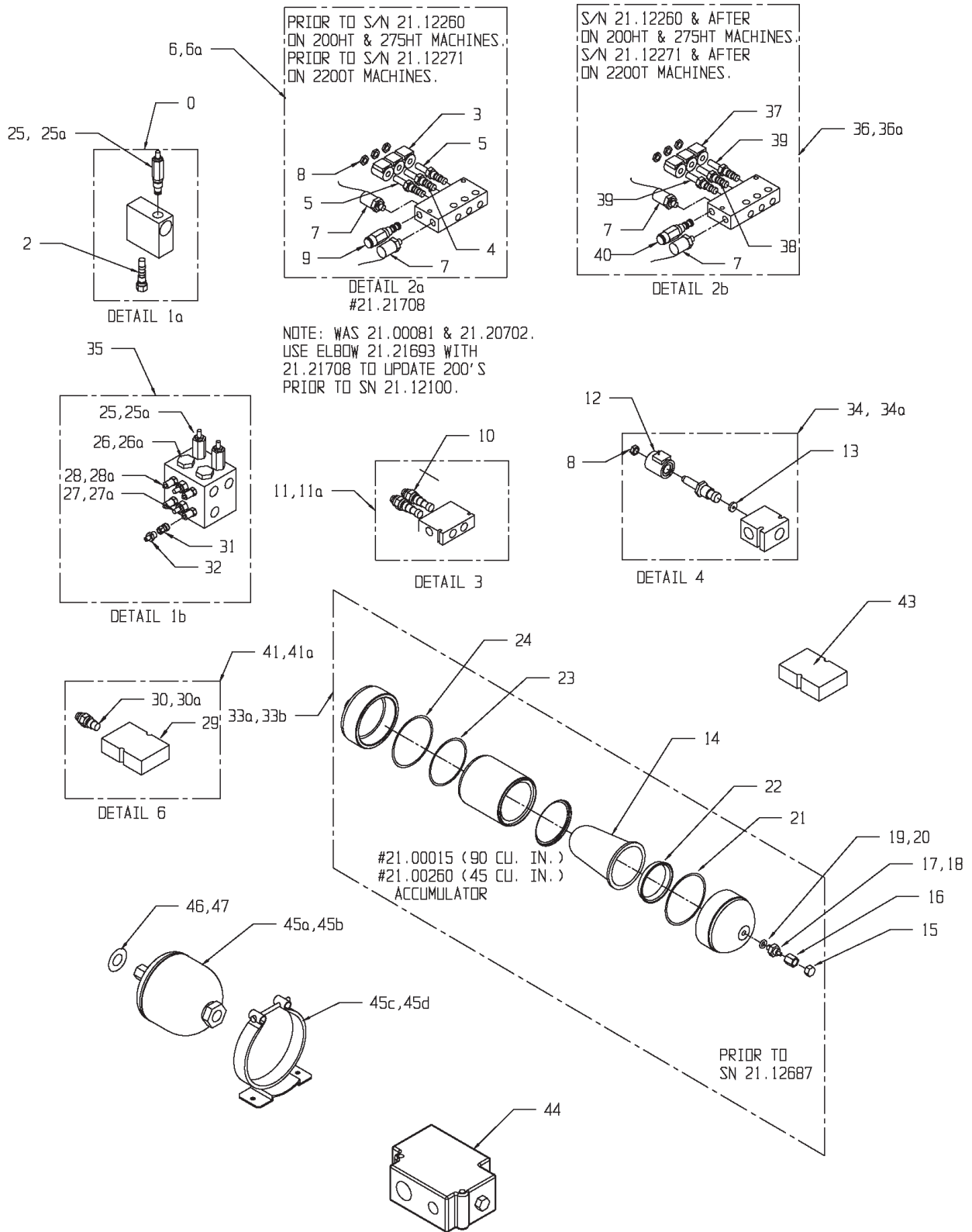
SUSPENSION VALVE ASSEMBLY



SUSPENSION VALVE ASSEMBLY

KEY	PART NO.	DESCRIPTION
1	907403	Screw, 10-32 x 3/8 (Was 907095)
2	21.00199	Isolator, Suspension Linkage
3	21.10398	Bracket, Suspension Linkage - LH
	21.10399	Bracket, Suspension Linkage - RH
4	900416	Washer, Lock, #10 (Was 900617)
5	907404	Nut, #10-32 (Was 907092)
6	21.10020	Rod, 1/4-28x6" Long Suspension Link SS
7	903159	Nut, 1/4-28
8	21.00562	Ball Joint 1/4-28 QK - Disconnect
9	21.21892	Arm Suspension Link (Was 21.10021)
10	21.21097	Link A2050 Connector - Stainless Steel
11	21.00513	PO Check, Suspension
12	21.00516	Orifice .049" Dia - 6 Two Way
13	21.25248	Valve Suspension (Was 21.00155 Prior to S/N 21.11263; was 21.00517 for S/N 21.11264 thru 21.12262)
14	21.00515	Spool, Suspension Valve, (Was 21.11514 for 21.11155 valve; was 21.00515 for 21.00517 valve)
15	21.22566	Wiper Seal
16	21.22562	Bushing
17	21.22563	Washer
18	21.22564	spring
19	21.22565	Spacer
20	21.21662	O-Ring
21	21.22567	Cap Assembly
22	21.22568	Plug Assembly
23	21.22569	Spring
24	21.22701	Elbow 90°, 1/4-28 x 1/8 NPTF
25	21.22703	Hose Assembly
26	21.22699	Adapter, 1/4-28 x 1/8 NPTF
27	903772	Nut, 1/2-13 WHIZ
28	903162	Grease Zerk

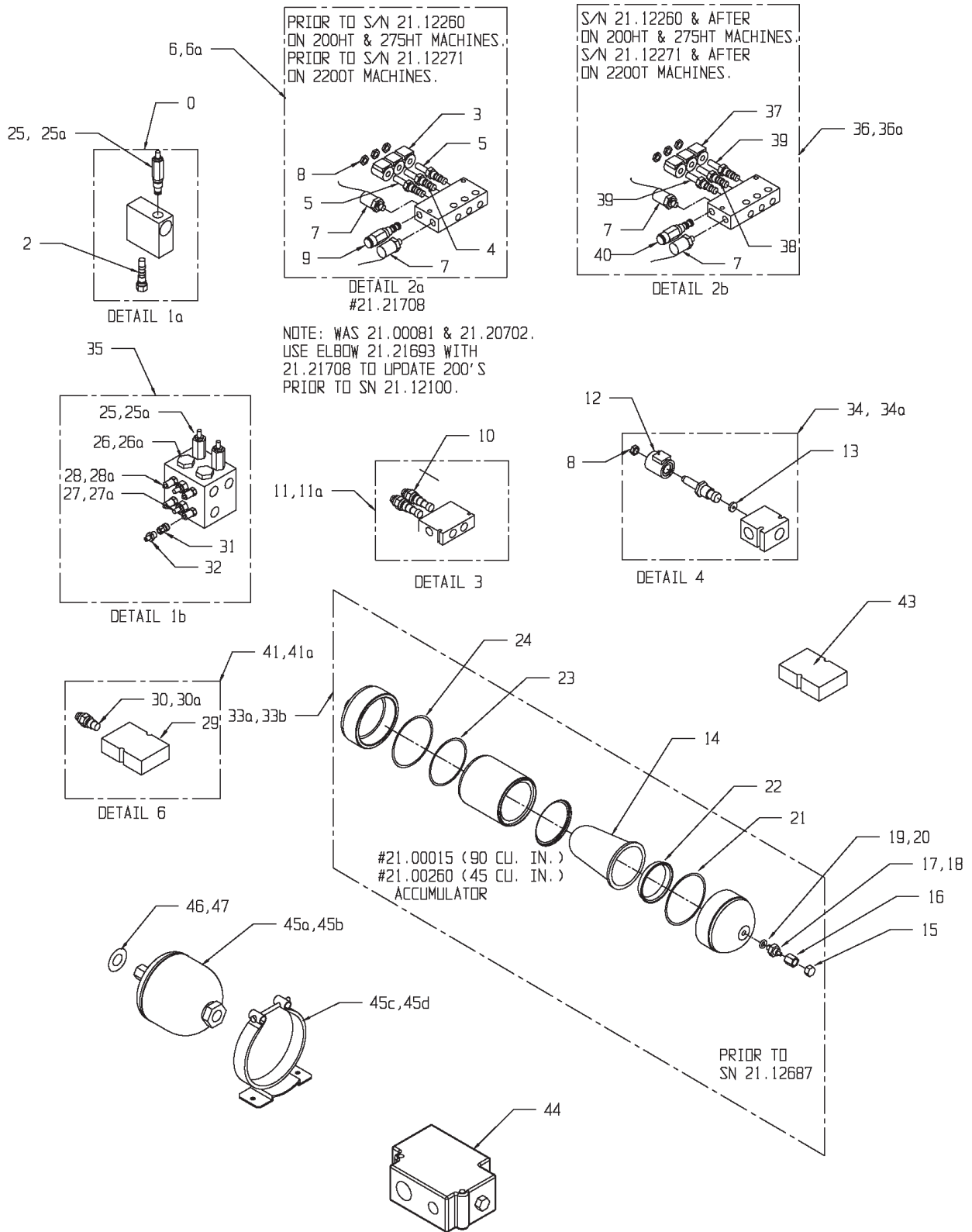
VALVE SERVICE PARTS (1 OF 2)



VALVE SERVICE PARTS

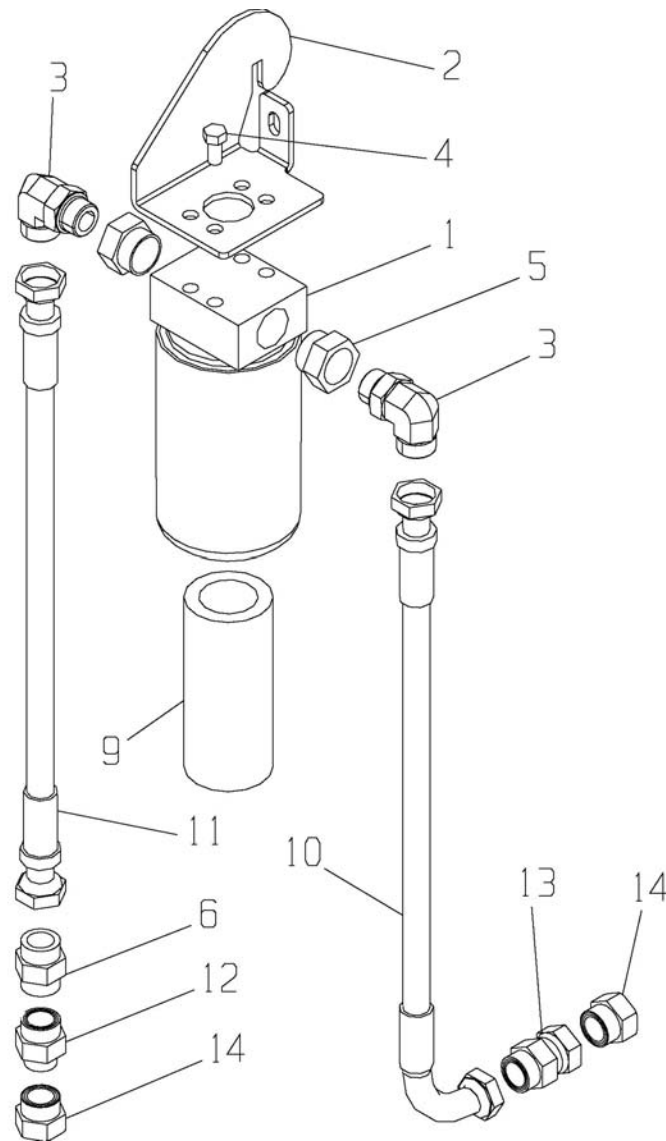
KEY	PART NO.	DESCRIPTION
0	21.00013	Valve, Loop Flush (On 200's Prior To S/N 21.12194)
2	21.00817	Cartridge Loop Flush, Shuttle
2a	21.00819	Seal Kit, Loop Flush, Shuttle
3	21.21695	Coil, Metri Pack (was 21.00936) (S/N 21.12191 Thru 21.12260)
	21.21696	Coil, Metri Pack, Machined (S/N 21.12161 to 21.12191)
	21.21694	Kit, Coil Up Date w/Adapter Harness (Prior to S/N 21.12161) (Was 21.00936)
4	21.00934	#31 Cartridge
5	21.00935	#33 Cartridge
6	21.21708	Valve - Brake, 2 Speed (See Note On Illustration)
6a	21.00823	Seal Kit
7	21.23151	Sender, Charge or Brake Press (Was 21.00017, Was 21.21725)
8	32.03962	Nut, 1/2-20 Finish (Was 21.21861)
9	21.22731	Cartridge, Pressure Reducing
10	21.00820	Cartridge, Counter Balance
11	21.00127	Valve - Counter Balance
11a	21.00821	Seal Kit, Counter Balance (As Required)
12	21.22136	Coil, Spray Pump (S/N 21.12191 & After)
	21.00822	Coil, Spray Pump (Prior to S/N 21.12191)
13	21.00255	.1562" Orifice
14	21.00824	Bladder Accumulator (90 cu/in) (Comes W/ O-Ring 21.22575 Key #23)
	21.00833	Bladder Accumulator (45 cu/in) (Comes W/ O-Ring 21.22575 Key #23)
15	21.22570	Safety Cap
16	21.22571	Protective Cap
17	21.22572	Valve Cap
18	21.22573	Valve Core
19	21.22189	AccuMight Gas Valve
20	21.22577	Gas Valve, O-Ring
21	21.22200	Teflon Ring (Recommended To Be Replaced With Bladder Key 14)
22	21.22574	Metal Ring
23	21.22575	O-Ring, Large (Comes W/ Bladder)
24	21.22576	O-Ring, Small (Used On 90 cu/in Only) (Recommended To Be Replaced With Bladder Key #14)
25	21.20929	Relief Valve (Was 21.00818)
25a	21.20930	Kit, O-Ring (Was 21.00834)
26	21.20927	Shuttle Valve
26a	21.20928	Kit, O-Ring
27	21.20931	Flow Restrictor Valve
27a	21.20932	Kit, O-Ring
28	21.20925	Test Point Plug
28a	21.20926	Kit, O-Ring
29	21.20530	Steel Valve Body
30	21.21765	Single Relief Valve Cartridge @ 3000 PSI

VALVE SERVICE PARTS (2 OF 2)



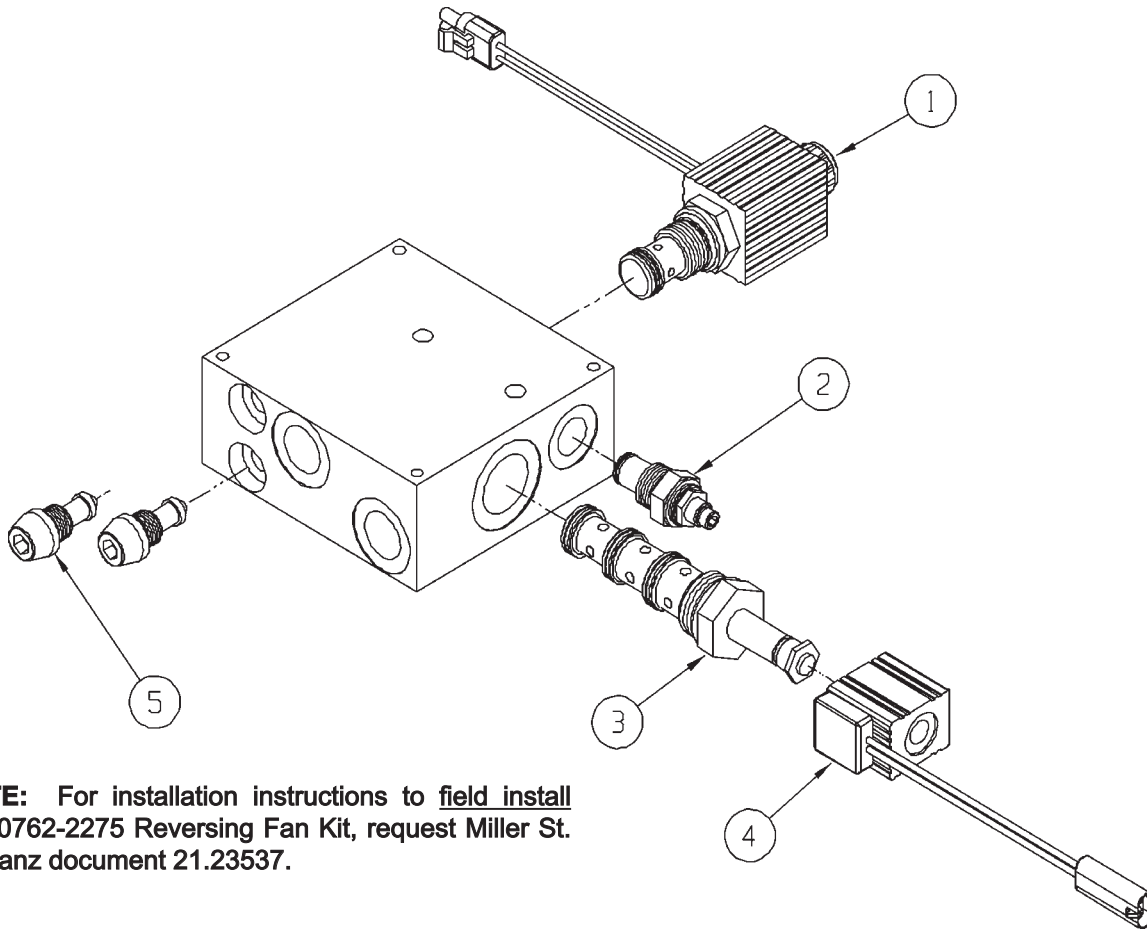
VALVE SERVICE PARTS

KEY	PART NO.	DESCRIPTION
30a	21.22602	Seal Kit
31	21.21663	Direct Gauge Adapter (for adapting to -8 hose)
32	21.22730	Adapter -8 ORFS x 1/4NPT (for adapting to -8 hose)
33a	21.25076	Kit-Tilt Accumulator Replacement (Prior To SN 21.12687)
33b	21.25075	Kit-Chassis Accumulator Replacement (Prior To SN21.12687)
34	21.21923	Valve - Spray Pump (S/N 21.12191 & After)
	21.00088	Valve - Spray Pump (Prior To S/N 21.12191)
34a	32.03975	Seal Kit - Pump Valve
35	21.20706	Valve - Loop Flush (On All 200HT's & 275's, On 200's After S/N 21.12193
36	21.22739	Valve - Brake 2 Speed (Changed on S/N 21.12260 on 200HT & 275 machines) (Changed on S/N 21.12271 on 2200T machines)
36a	21.22834	Seal Kit - Brake, 2 Speed (As Required)
37	21.22136	Coil Metri Pack (Changed on S/N 21.12260 on 200HT & 275 machines) (Changed on S/N 21.12271 on 2200T machines)
38	21.22836	Cartridge - Middle
39	21.22837	Cartridge - Outer
40	21.22838	Cartridge - Pressure Reducing
41	21.21811	Valve - Single Relief (Was 21.20525)
41a	21.22602	Seal Kit
42	21.00190	Clamp, T-Bolt 5.6
43	21.23328	Valve - Prop Pres Reduce/Relief
44	21.00007	Valve, Priority Control
45a	21.31537	Accumulator - 85CI (1.4L) SN 21.12687 & After
45b	21.31539	Accumulator - 45CI (.75L)
45c	21.31538	Clamp - 85CI (1.4L) Accumulator
45d	21.31540	Clamp - 45CI (.75L) Accumulator
46	907771	Orifice, Disk .203" Dia
47	21.00253	Orifice, .205" Dia - 12 One Way

HI PRESSURE FILTRATION KIT

KEY	PART NO.	DESCRIPTION
0	21.20265	KIT HI PRESSURE FILTRATION
1	21.20266	FILTER ASM - HI PRESSURE
2	21.20270	BRACKET - HI PRESS FILTER KIT
3	21.20267	ADAPTER - 90DEG 16MORB 16MORFS
4	902930	HHDBLT - G5 1/2 X 1"
5	21.20355	BUSHING - SAE 20M-16F
6	21.20283	UNION - 16ORFS
9	21.20271	FILTER - HI PRESSURE
10	21.31686	HOSE - HYD 1 X 40 HIPRS W/90D
11	21.31687	HOSE - HYD 1 X 40 HI PRS MALE
12	21.31684	Union 16-12 ORFS
13	21.31685	Reducer 16M 12 Fem
14	21.21053	Plug 16 ORFS

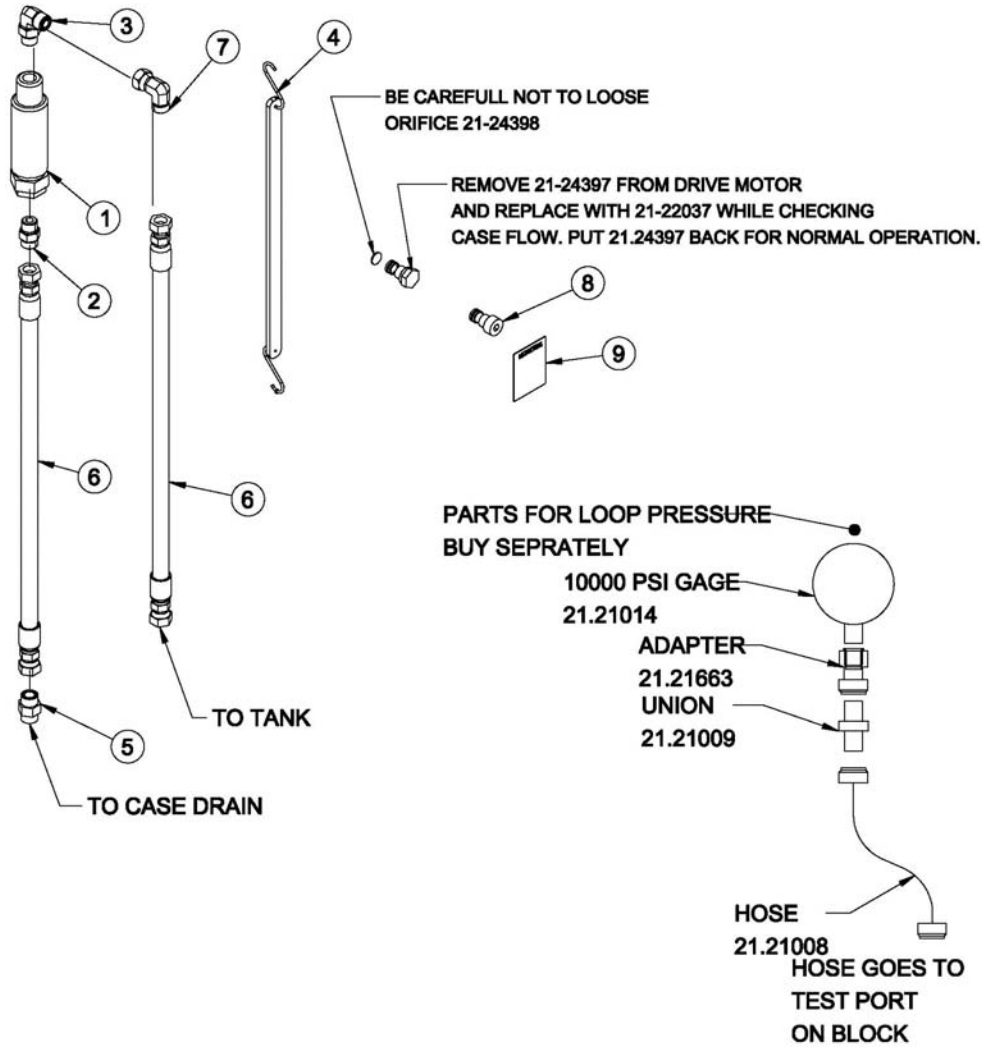
MANIFOLD ASSEMBLY – 2275HT REVERSING FAN



NOTE: For installation instructions to field install 21.00762-2275 Reversing Fan Kit, request Miller St. Nazianz document 21.23537.

KEY	PART NO.	DESCRIPTION
0	21.23431	Manifold Assembly - Reversing Fan
1	21.24145	Cartridge Valve - Dump
	21.24149	Seal Kit - Dump Valve
2	21.24142	Relief Valve - Reversing Fan
	21.24147	Seal Kit - Reverse Fan Relief
3-4	21.24150	Cartridge Valve Assembly (Inc. Item number 3 & 4)
3	21.24143	Cartridge Valve - Reverse
	21.24148	Seal Kit - Reverse
4	21.24144	Solenoid - Reverse Valve
5	21.24146	Check Valve - Reversing Fan

KIT- CASE DRAIN FLOW METER 21.00807

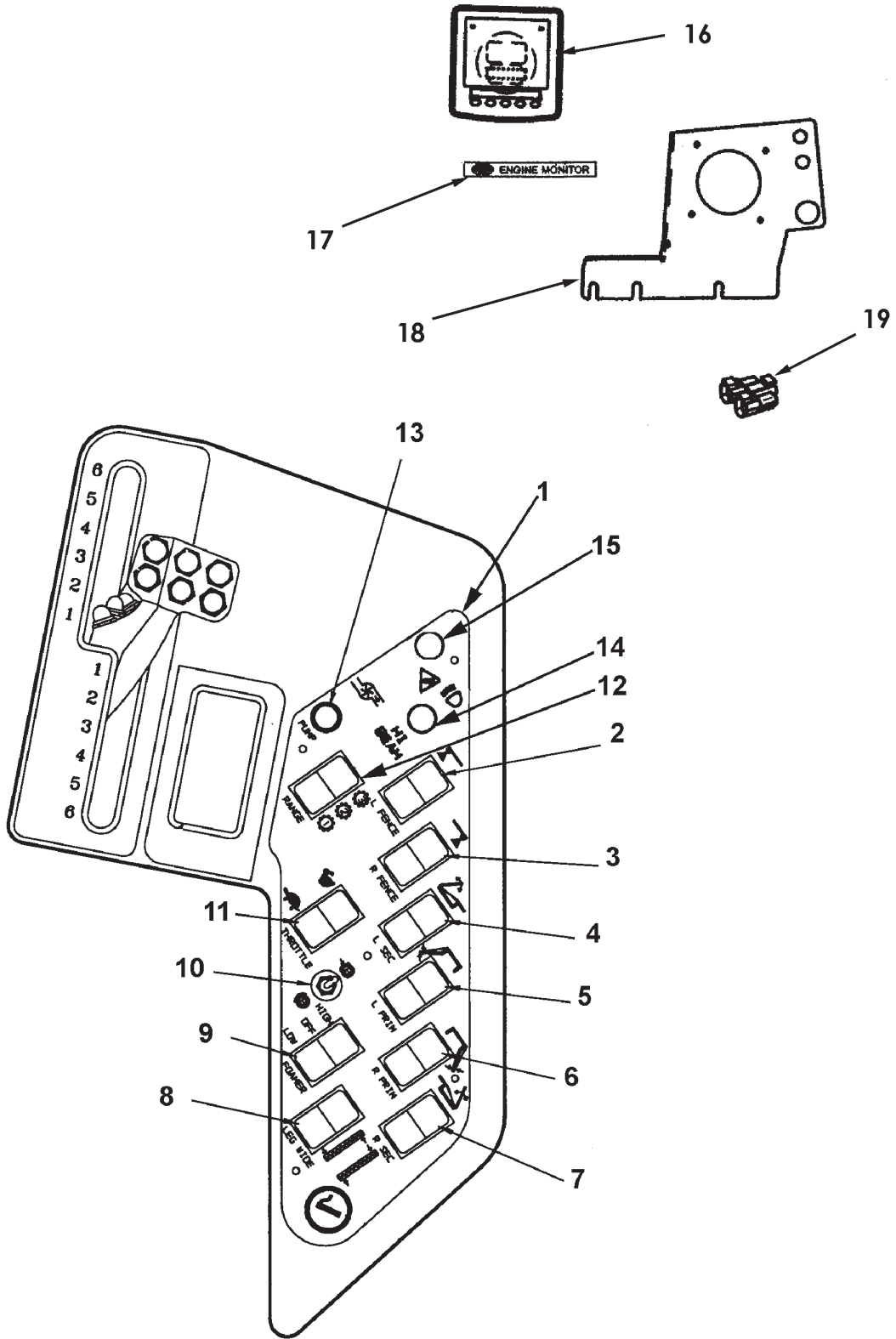


KEY	PART NO.	DESCRIPTION
1	21.24261	Flow Meter, 5 Gal, 3000PSI
2	21.00327	Connector, 08ORB x 08ORFS
3	21.00342	Elbow, 90° 8ORFS/ORST
4	07.06337	Strap, Tiedown 20" w/ Hooks
5	21.24262	Union, 8ORFS
6	21.23780	Hose, 8 x 228
7	21.00346	Elbow, 90° 8ORFS NIT
8	21.22037	Plug, Cavity
9	21.24399	Instructions, Case Drain Flow

ELECTRICAL CONTROLS & COMPONENTS

THIS PAGE INTENTIONALLY BLANK

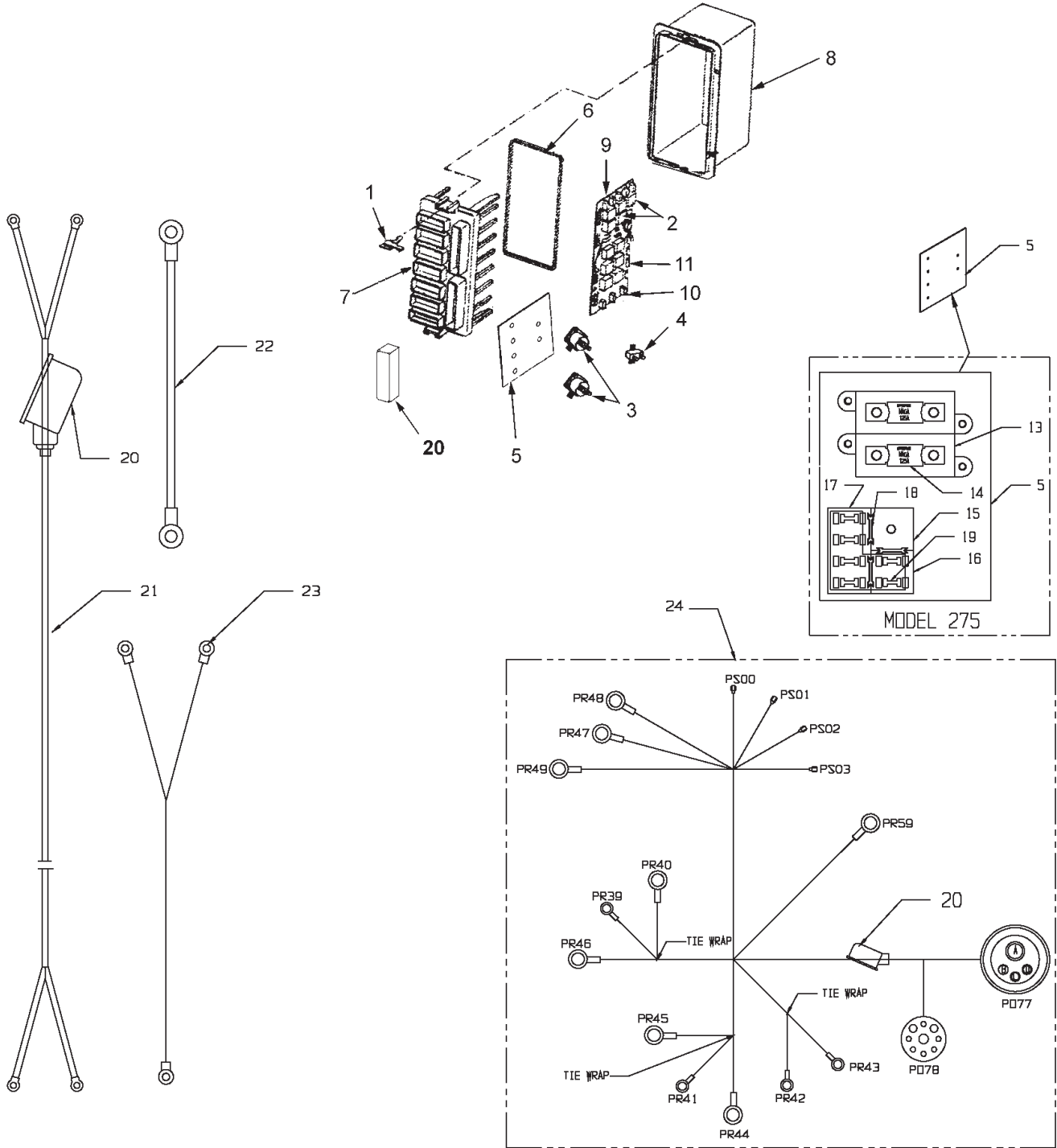
ARM REST CONTROL



ARM REST CONTROL

KEY	PART NO.	DESCRIPTION
1	21.22071	Panel, Printed (Was 21.09005)
2	21.00093	L-Fence Switch, S/N 21.12191 & After (Option)
	21.00095	L Fence Switch, Prior to S/N 21.12191 (Option)
	21.00116	Blank
3	21.00116	Blank
4	21.00094	L Sec
	21.00116	Blank, (60')
5	21.00094	L Primary
6	21.00094	R Primary
7	21.00094	R Sec
	21.00116	Blank, (60')
8	21.00094	Legwiden Switch
9	21.00093	Foamer
10	21.00096	Brake
11	21.00091	Throttle
12	21.00092	Range
13	21.00024	Switch (Product Pump)
	21.00025	Nut
	21.00026	Knob
14	21.20795	Light Blue
15	21.20796	Light Amber
16	21.30266	Display, Cantrak (S/N 21.12733 & After)
17	21.24755	Decal, Engine Monitor (S/N 21.12733 & After)
18	21.24582	Bracket, Cantrak (S/N 21.12733 & After)
19	21.30313	Receptacle, Y (S/N 21.12733 & After)

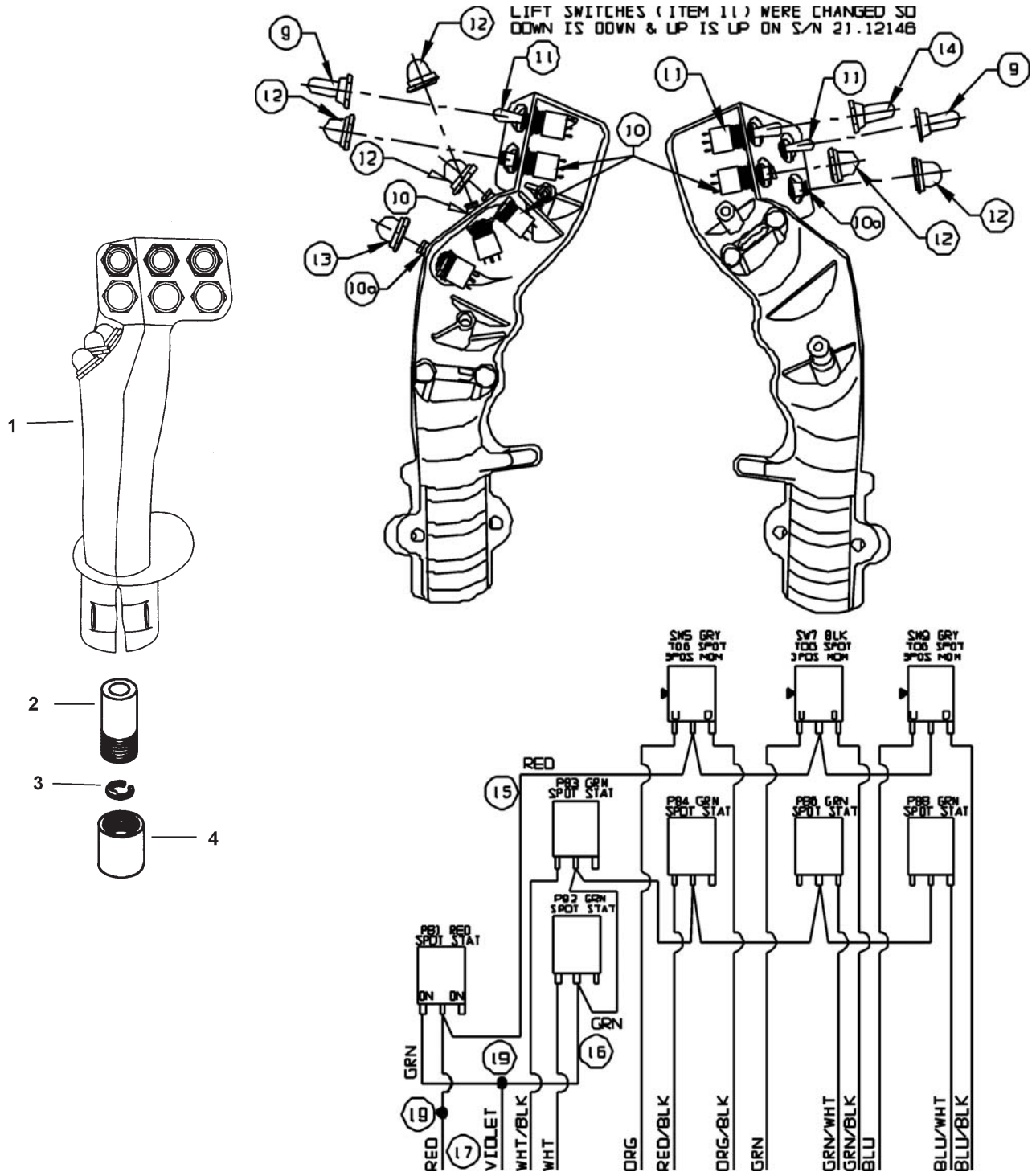
POWER DISTRIBUTION



POWER DISTRIBUTION

KEY	PART NO.	DESCRIPTION
1	21.00030	Latch
2	21.00861	Relay
3	21.23148	Relay, Accessory (Was 21.00034)
4	21.00035	Circuit Breaker AC
5	21.09027	Plate, SS, Relay Mounting
6	21.00032	Seal, Black Box
7	21.00031	Cover, Black Box
8	21.24272	Box, Machine Power Dist. (Was 21.00029)
9	21.00033	Power Distribution Board
10	21.00862	Breaker, 20A
11	21.00863	Breaker, 30A
13	21.20798	Fuse Holder, MAGA (275/2275HT)
14	21.20797	Fuse, MAGA 125 AMP (275/2275HT)
15	21.21164	Block, Mount (275/2275HT)
16	21.21165	Block, 2 Position Fuse Holder (275/2275HT)
17	21.21166	Block, 4 Position Fuse Holder (275/2275HT)
18	21.21167	Lock, Wedge (275/2275HT)
19	21.21168	Lock, Secondary (275/2275HT)
20	21.21504	Boot
21	21.24567	Harness, Grid Heaters (S/N 21.12733 & After)
22	21.20694	Jumper 6Ga. (S/N 21.12733 & After)
23	21.24726	Harness, Grid Heaters (S/N 21.12733 & After)
24	21.30224	Harness, Power Distribution (S/N 21.12733 & After)

HYDROSTAT CONTROL PRIOR TO S/N 21.12422

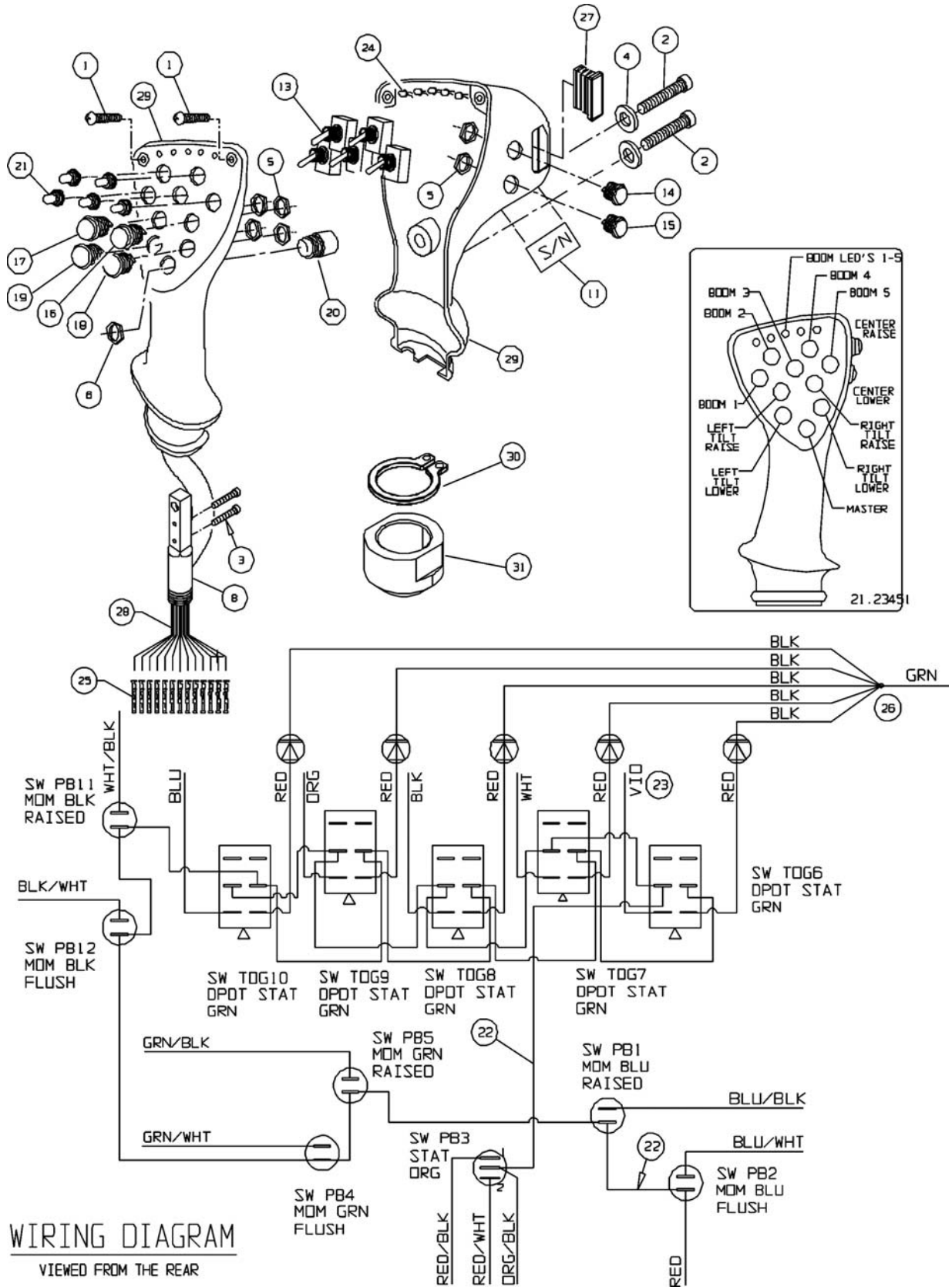


**HYDROSTAT CONTROL
PRIOR TO S/N 21.12422**

KEY	PART NO.	DESCRIPTION
1	21.00080	Hydrostat Control Lever (Prior To S/N 21.12308)
	21.23152	Hydrostat Control Lever (S/N 21.12308 Through 21.12421)
2	21.09002	Sleeve
3	21.00027	Snap Ring
4	21.09001	Control Lever Nut
9	21.00825	Switch Toggle Boot, Gray
10	21.00830	Switch, Push Button SPDT
	21.21459	Switch Toggle SPST 2 position (Option) (Std. S/N 21.12308 through 21.12421)
11	21.00829	Switch, Toggle SPDT 3P Momentary
12	21.00827	Switch Push Button Boot, Green
	21.21460	Boot, Green, Toggle Switch (Option)
13	21.00828	Switch Push Button Boot, Red
14	21.00826	Switch Toggle Boot, Black

Note: Use Kit 21.00772 To Update To New Style Handle

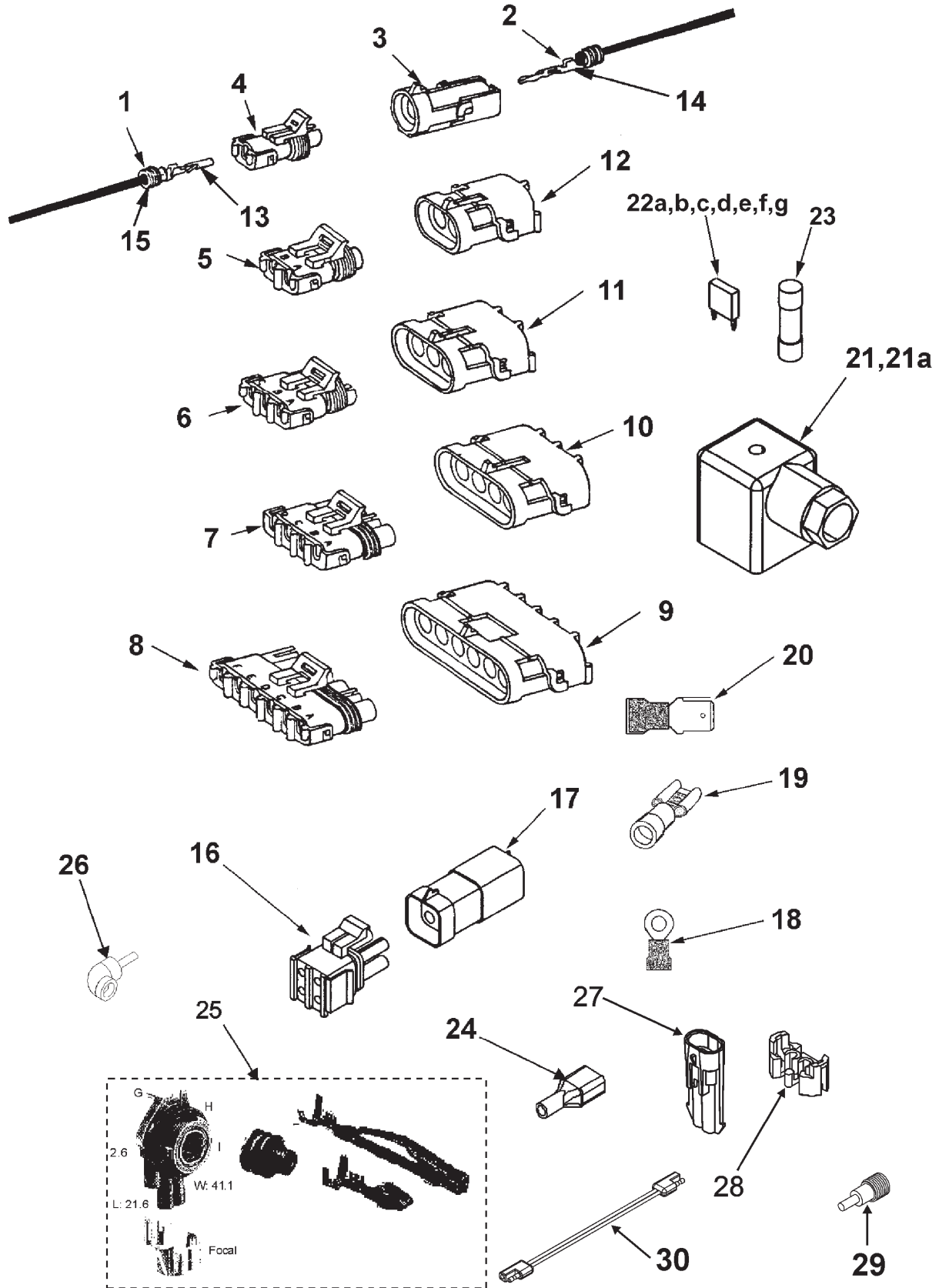
HYDROSTAT CONTROL S/N 21.12422 & AFTER



HYDROSTAT CONTROL S/N 21.12422 & AFTER

KEY	PART NO.	DESCRIPTION
0	21.23456	HYDROSTAT CONTROL LEVER
1	21.23882	SCREW PHIL PAN BLK #6X1
2	21.23883	SCREW PL #8 X 1" TRQ
3	21.23884	SCREW PL #6 C 7/16" TRQ
4	21.23885	WASHER RIB #6
5	21.23886	NUT 15/32 JAM CHROME
6	21.23887	NUT 15/32 JAM BLACK
8	21.23433	POST - JOYSTICK CONTROL
13	32.04427	SWITCH - JOYSTICK TOGGLE 2P
14	32.04428	SWITCH - JOYSTICK BLK PB RAISED
15	32.04429	SWITCH - JOYSTICK BLK PB FLUSH
16	32.04430	SWITCH - JOYSTICK GRN PB RAISED
17	32.04431	SWITCH - JOYSTICK BLU PB RAISED
18	32.04432	SWITCH - JOYSTICK GRN PB FLUSH
19	32.04433	SWITCH - JOYSTICK BLU PB FLUSH
20	32.04434	SWITCH - JOYSTICK ORG PB STAT
21	21.21460	SW TOG BOOT CL 15/32 FLEX GREEN
24	32.04436	LED - JOYSTICK (RED)
25	21.20145	SOCKET - AMP
26	21.23889	TRM SPLICE CLOSED END LRG
27	21.23890	GROMMET PLUG SCP RCK
28	21.23891	CABLE 15CON 18GA 2.75'
29	21.23888	ENCL ILL SCP ASSY MILLER
30	21.00027	SNAP COLLAR - HANDLE
31	21.23434	NUT - JOYSTICK CONTROL - ZINC

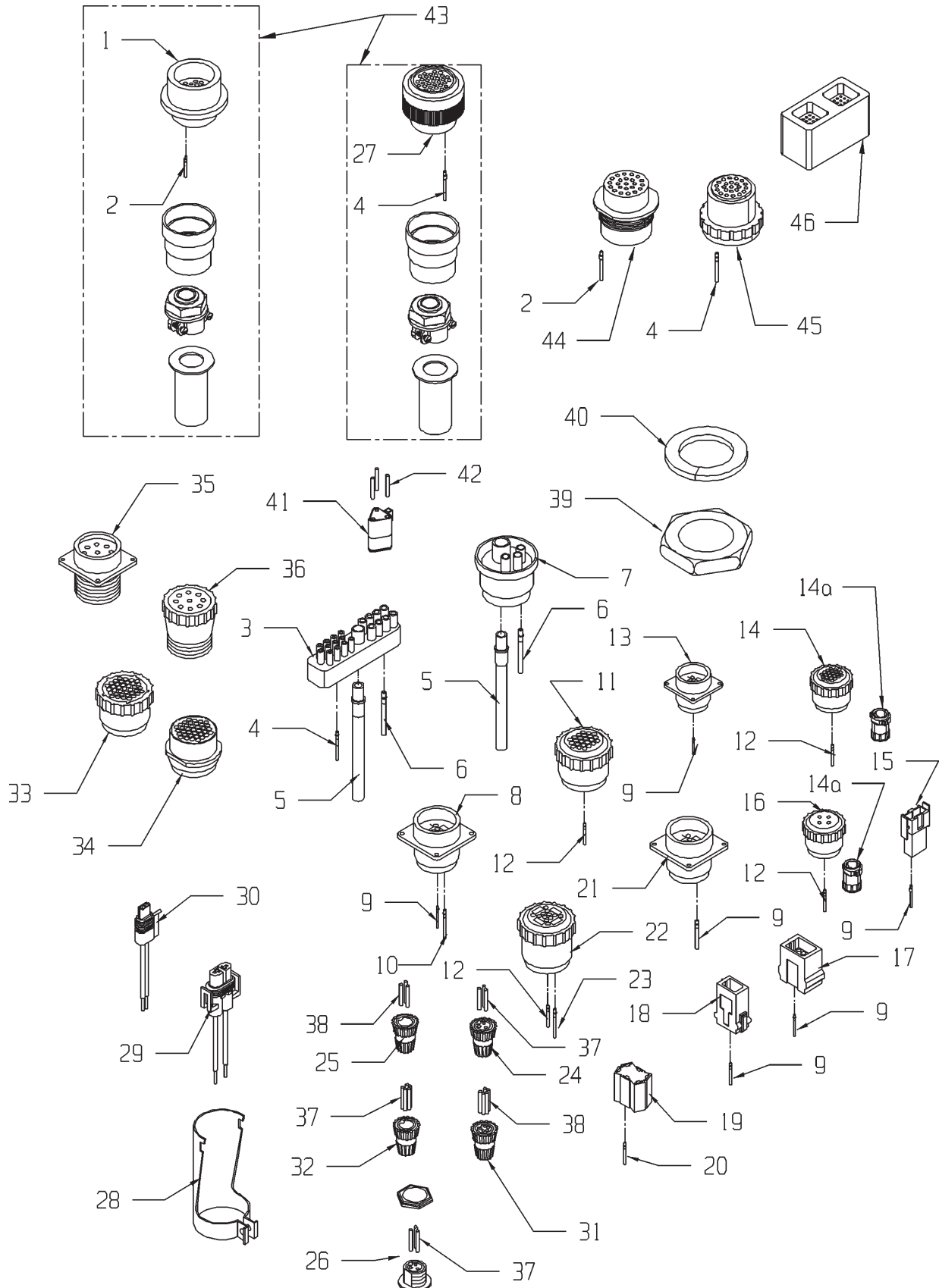
ELECTRICAL CONNECTORS WEATHER PACK



ELECTRICAL CONNECTORS WEATHER PACK

KEY	PART NO.	DESCRIPTION
1	21.00958	1208-9583, 6"-12GA, butt (socket)
2	21.00959	1208-9040, 6"-12GA, butt (pin)
3	21.00940	1 Position Weather Pack Shroud
4	21.00941	1 Position Weather Pack Tower
5	21.00943	2 Position Weather Pack Tower
6	21.00944	3 Position Weather Pack Tower
7	21.00947	4 Position Weather Pack Tower
8	21.00948	6 Position Weather Pack Tower
9	21.00949	6 Position Weather Pack Shroud
10	21.00946	4 Position Weather Pack Shroud
11	21.00945	3 Position Weather Pack Shroud
12	21.00942	2 Position Weather Pack Shroud
13	21.20145	Socket, Weather Pack, 14-18 Ga
	21.21088	Socket, Weather Pack, 12-13 Ga
	21.01018	Socket, 20-24 Ga
14	21.20144	Pin, Weather Pack, 14-18 Ga
	21.01016	Pin, Weather Pack, 20-22 Ga
	21.21087	Pin, Weather Pack, 12-13 Ga
15	21.20146	Ase Seal Weather Pack, 14 Ga
	21.21089	Ase Seal Weather Pack, 16-18 Ga
	21.01017	Ase Seal Weather Pack, 20-22 Ga (Purple)
15b	21.21090	Ase Seal Weather Pack, #12 Ga
16	21.00994	4 Position Weather Pack Tower
17	21.00993	4 Position Weather Pack Shroud
18	907294	Ring, 5/16 Hole, #14-16 Ga
19	07.06552	Disconnect - Female Elect 14 Ga
20	907293	¼ Male Tab #14-16 Ga
21	21.21686	Connector, Mini Din
21a	21.21809	Connector, Din
22	32.03730	Fuse, 2 AMP Mini
22a	32.03731	Fuse, 5 AMP Mini
22b	32.03732	Fuse, 7.5 AMP Mini
22c	32.03733	Fuse, 10 AMP Mini
22d	21.21692	Diode
22e	32.60779	Fuse - Mini 20amp
22f	32.60780	Fuse - Mini 30amp
22g	21.24509	Auto Fuse 40 Amp
23	21.22349	Fuse, Slow Blow 8 AMP
24	07.09282	Terminal Fem .110 x .020 26-20 Ga
25	21.23915	Socket - Lamp w/ Pins & Seals (Was 21.23141)
26	21.23153	Connector, Packard Grip (For Alternator)
27	32.61449	Connector, Metri 150 2-Way
28	32.61451	Lock, Metri 150 2-Way
29	32.03593	Plug - Metri/Weather Pack Cavity SE103
30	07.07947	Jumper Polarity Reversal
NS	32.61450	Terminal, Metri 150 Male
NS	32.61452	Seal, Metri 150

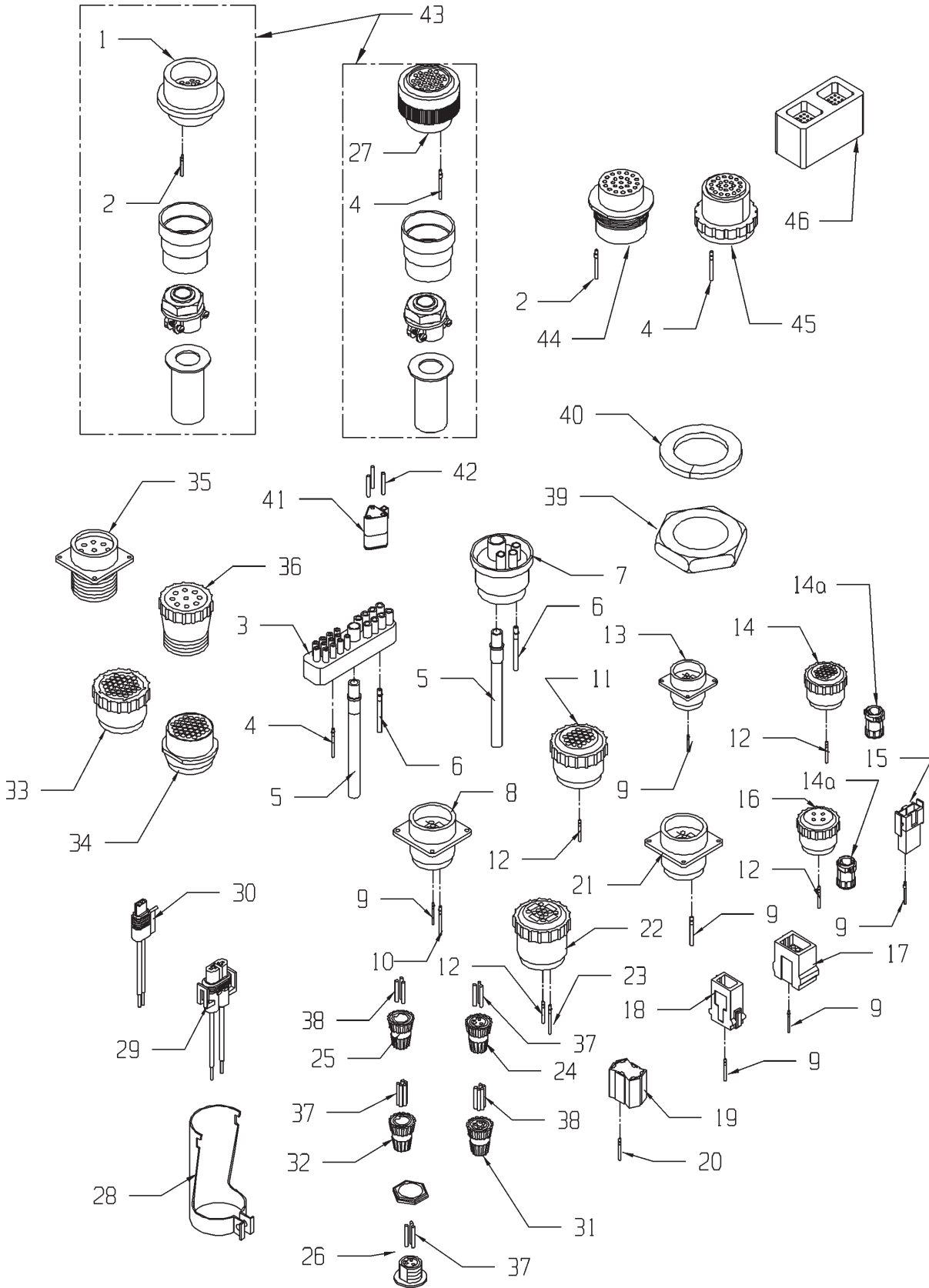
CONNECTORS (1 OF 2)



CONNECTORS (1 OF 2)

KEY	PART NO.	DESCRIPTION
1	21.00962	31 Position Deutsch Connector, Male (Plug Only)
2	21.00968	14GA, 6", butt, Pin
	21.01014	Pin, Deutsch 14 Ga
	21.01015	Pin, Deutsch 16 & 18 Ga
3	21.00965	21 Position Deutsch Connector, Rectangle (Plug Only)
4	21.00969	14GA, 6", Butt, Socket
	21.01013	Socket, Deutsch 14 Ga
	21.01012	Socket, Deutsch 16 & 18 Ga
5	21.00966	6GA, 6", Butt, Socket
	21.01007	Socket, Deutsch 6 Ga
6	21.00967	12GA, 6", Butt, Socket
	21.01008	Socket, Deutsch 12 Ga
7	21.00961	Deutsch Connector, 4 Pin (AC) (Plug Only)
8	21.00982	16 Position Comb Amp Conn, Male (Plug Only)
9	21.00992	14GA, 6", Butt, Amp Pin
	21.20142	Pin, Amp #66359-9
10	21.00989	8GA, 6" Amp, ¼ Spade Male
	21.01009	Spade, Amp 1/4 Male
11	21.00979	24 Position Amp Connector, Female (Plug Only)
12	21.00991	14GA, 6" Butt, Amp Soc
	21.20143	Soc. Amp #66358-9
13	21.00974	16 Position Amp Connector, Male (Plug Only)
14	21.00976	16 Position Amp Connector, Female (Plug Only)
14a	32.04828	Strain Relief, Amp
15	21.00983	3 Position Amp Connector, Rec, Female (Plug Only)
16	21.00970	4 Position Amp Connector, Female (Plug Only)
17	21.00918	12 Position Amp Connector, Rec, Female (Plug Only)
18	21.00978	6 Position Amp Connector, Rec, Male (Plug Only)
19	21.00980	6 Position Packard, Switch Conn (Plug Only)
20	21.00960	6"-12GA Butt, (1/4F-spade)
	21.01010	Spade, Packard ¼ Female
21	21.00977	37 Position Amp Connector, Male (Plug Only)
22	21.00981	16 Position Comb Amp Conn, Female (Plug Only)
23	21.00990	8GA, 6" Amp ¼ Spade, Female
	21.01011	Spade, Amp ¼ Female
24	21.00988	3 Position Connexall Flow Meter (w/ Sockets)
25	21.00987	3 Position Connexall Radar (w/ Pins)
26	21.00986	3 Position Connexall (cab wall) (w/ Sockets)

CONNECTORS (2 OF 2)



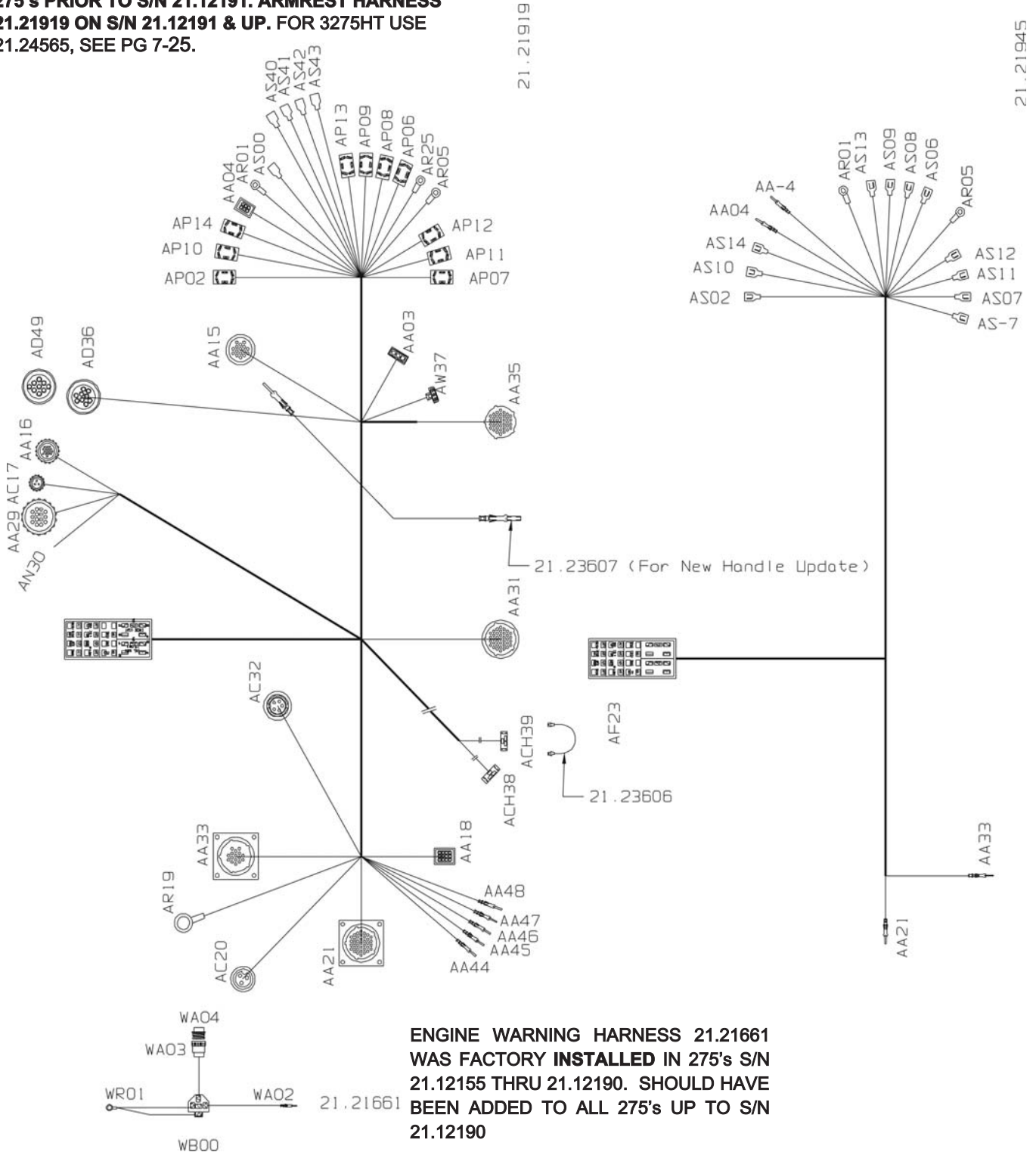
CONNECTORS (2 OF 2)

KEY	PART NO.	DESCRIPTION
27	21.00963	31 Position Deutch Connector, Female (Plug Only)
28	21.00964	Strain Relief, Deutsch
29	21.00975	Connector, Metri Pack
30	21.00954	Connector, Fuel
31	21.00995	5 Position Connexall Product Harness (w/ Pins)
32	21.00996	5 Position Connexall (Cab Wall) (w/ Sockets)
33	21.00997	37 Position AMP Connector, Female (Plug Only)
34	21.00998	37 Position AMP Connector, Male, Free Hanging (Plug Only)
35	21.01000	9 Position Deutsch Receptacle (Plug Only)
36	21.01001	9 Position Deutsch Plug (Plug Only)
37	21.01004	Socket, Connexall
38	21.01005	Pin, Connexall
39	21.20127	Nut, 1-11/16-18
40	21.20126	Lock Washer, 1-11/16
41	21.01002	3 Position Deutsch DT06-3S (Plug Only)
42	21.01012	Socket, Deutsch (Plug Only)
43	21.21943	Kit Boom Connectors
44	21.22682	23 Position Deutsch Connector, HD Series Plug (Plug Only)
45	21.22683	23 Position Deutsch Connector, HD Series Receptacle (Plug Only)
46	21.22684	50 Position Deutsch Connector, DRC Series Plug (Plug Only)
NS	21.00185	Dielectric Tune-up Grease

ARMREST WIRE HARNESS COMPLETE ASSEMBLY

ARMREST HARNESS 21.00100 ON 200's & 200HT's S/N 21.12102, 21.12096 THRU 21.12099, 21.12094 AND PRIOR. ARMREST HARNESS 21.20682 ON 200's & 200HT's S/N 21.12095, 21.12100 & 21.12103 THRU 21.12190. ON ALL 275's PRIOR TO S/N 21.12191. ARMREST HARNESS 21.21919 ON S/N 21.12191 & UP. FOR 3275HT USE 21.24565, SEE PG 7-25.

ARMREST FUSE BOX RETRO FIT HARNESS OPTION IN ALL MACHINES PRIOR TO S/N 21.12191.



ENGINE WARNING HARNESS 21.21661 WAS FACTORY INSTALLED IN 275's S/N 21.12155 THRU 21.12190. SHOULD HAVE BEEN ADDED TO ALL 275's UP TO S/N 21.12190

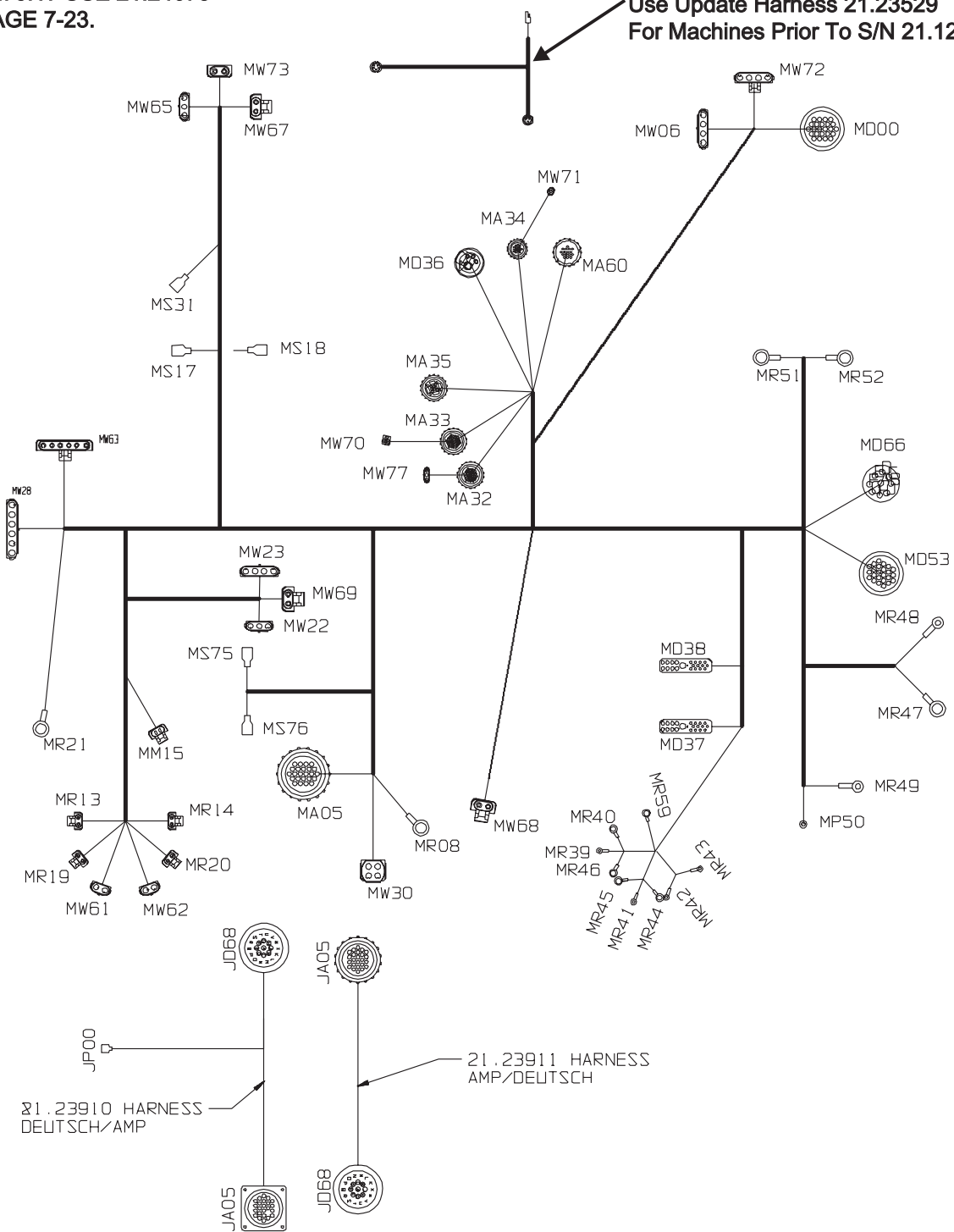
MAIN WIRE HARNESS

MAIN HARNESS 21.00101 W/JUMPER WART 21.00105 ON 200's & 200HT's S/N 21.12102, 21.12096 THRU 21.12099, 21.12094 & PRIOR. MAIN HARNESS 21.20683 ON 200's & 200HT's S/N 21.12095, 21.12100 & 21.12103 THRU 21.12190. ON ALL 275's PRIOR TO S/N 21.12191.

MAIN HARNESS 21.21920 ON S/N 21.12191 AND UP. PRODUCT HARNESS 21.20681 USED ON ALL 275's. USED ON 200's & 200HT's S/N 21.12095, 21.12100, 21.2103 & UP.

FOR 3275HT USE 21.24673
SEE PAGE 7-23.

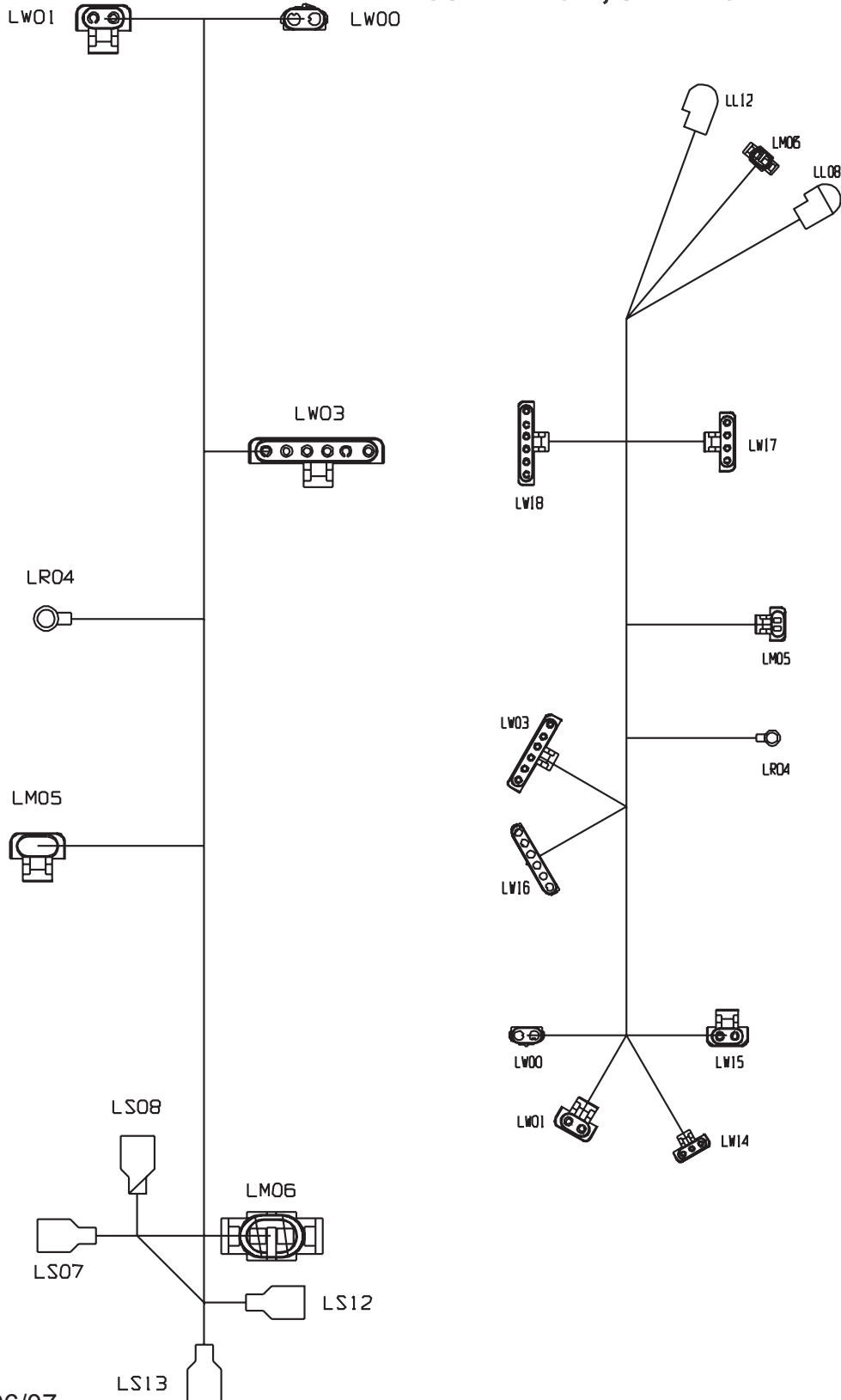
Product Harness 21.20681
Use Update Harness 21.23529
For Machines Prior To S/N 21.12191



LEFT FRAME WIRE HARNESS COMPLETE ASSEMBLY

#21.00102 USED ON 200's & 200HT's,
S/N 21.12102, 12096 THRU 21.12099,
21.12094 & UP.

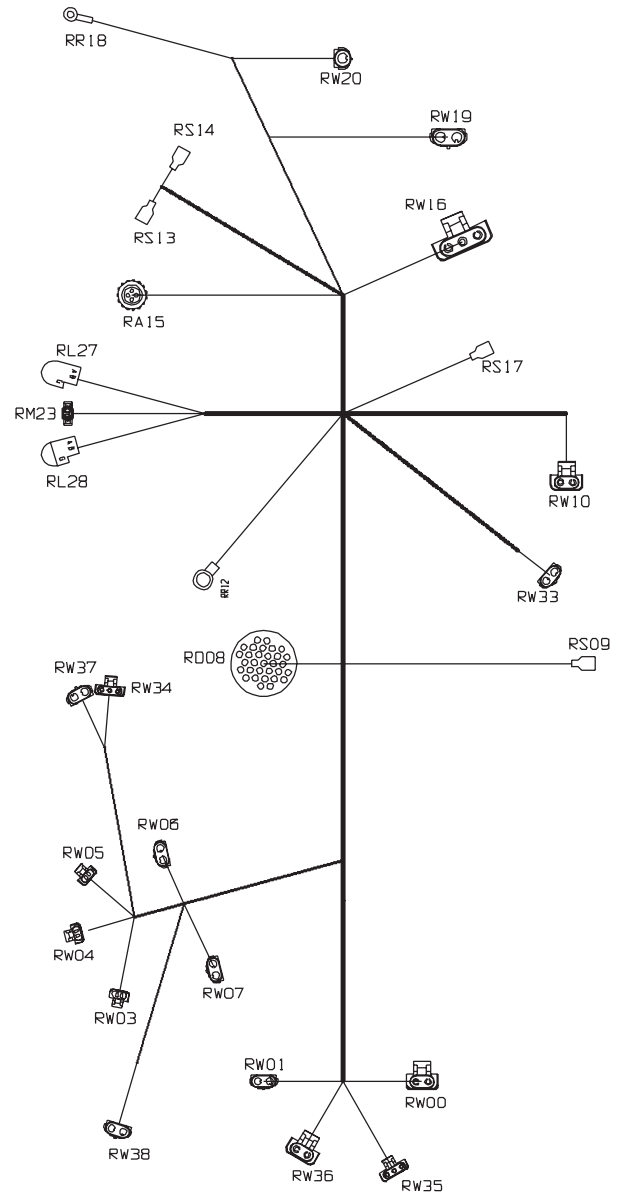
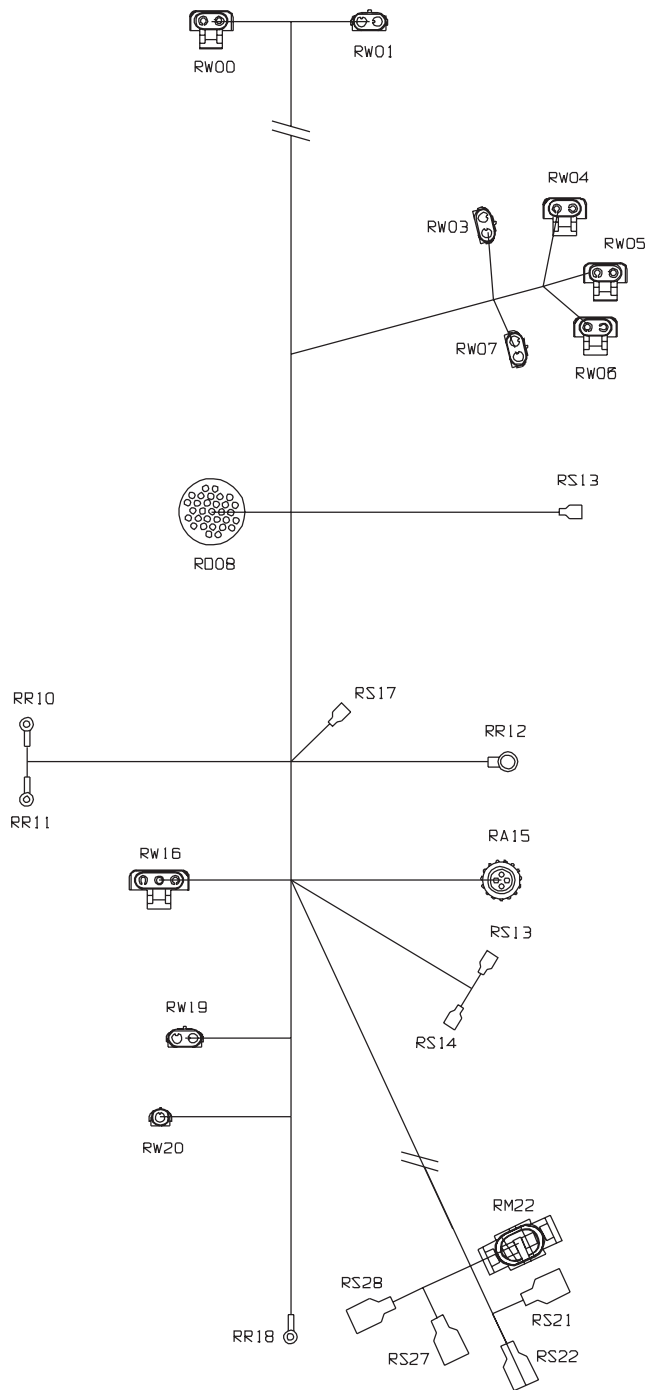
#21.20684 USED ON ALL 275's. USED
ON 200's & 200HT's S/N 21.12095,
21.12100, 21.12103 & UP. FOR 3275HT
USE 21.24674, SEE PAGE 7-24.



RIGHT FRAME WIRE HARNESS ASSEMBLY

#21.00103 USED ON 200'S & 200HT'S S/N 21.12102, 21.12096 THRU 21.12099, 21.12094 AND PRIOR.

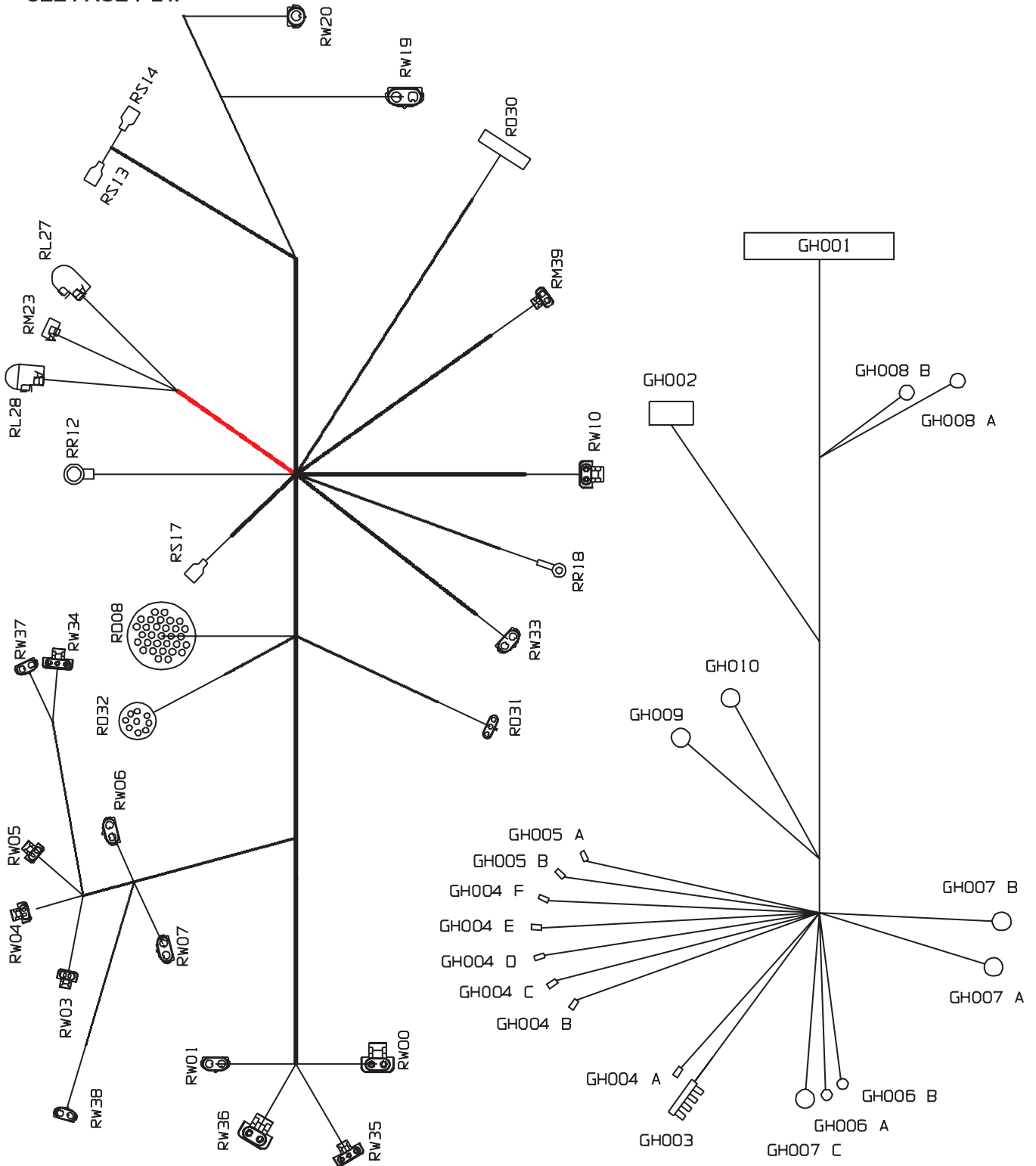
#21.20686 USED ON 200'S & 200HT'S S/N 21.12095, 21.12100, 12103 & UP. FOR 3200HT, 3200T & 3200T-SS SEE PAGE 7-24.



RIGHT FRAME WIRE HARNESS ASSEMBLY

#21.20685 (275/2275HT)
FOR 3275HT USE 21.24566
SEE PAGE 7-24.

#21.20687 (275/2275HT, AUXILIARY)



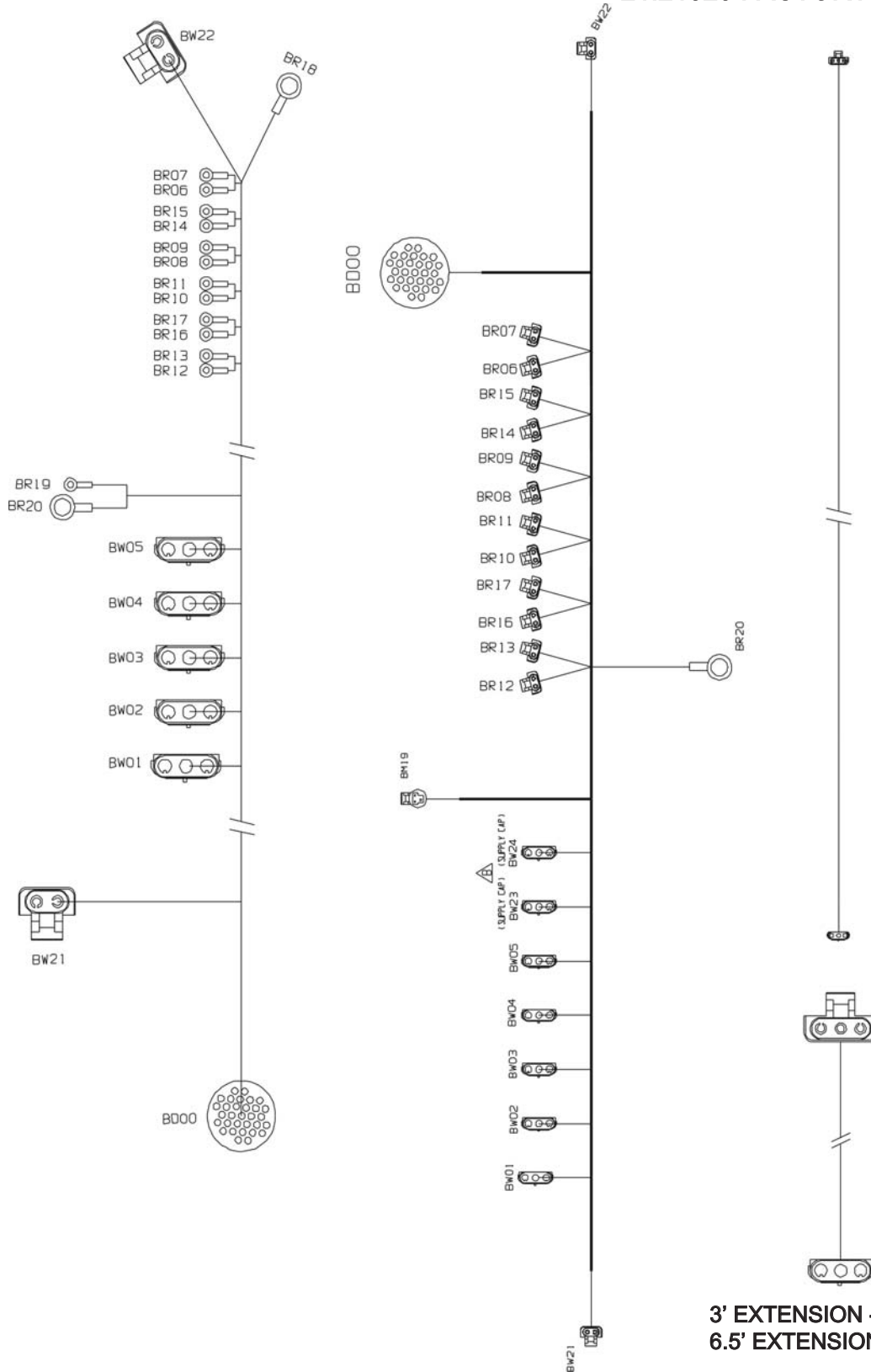
**BOOM WIRE HARNESS
COMPLETE ASSEMBLY**

21.00104 FOR S/N PRIOR TO
S/N 21.12191

**#21.21921 FOR
S/N 21.12191 AND
AFTER.**

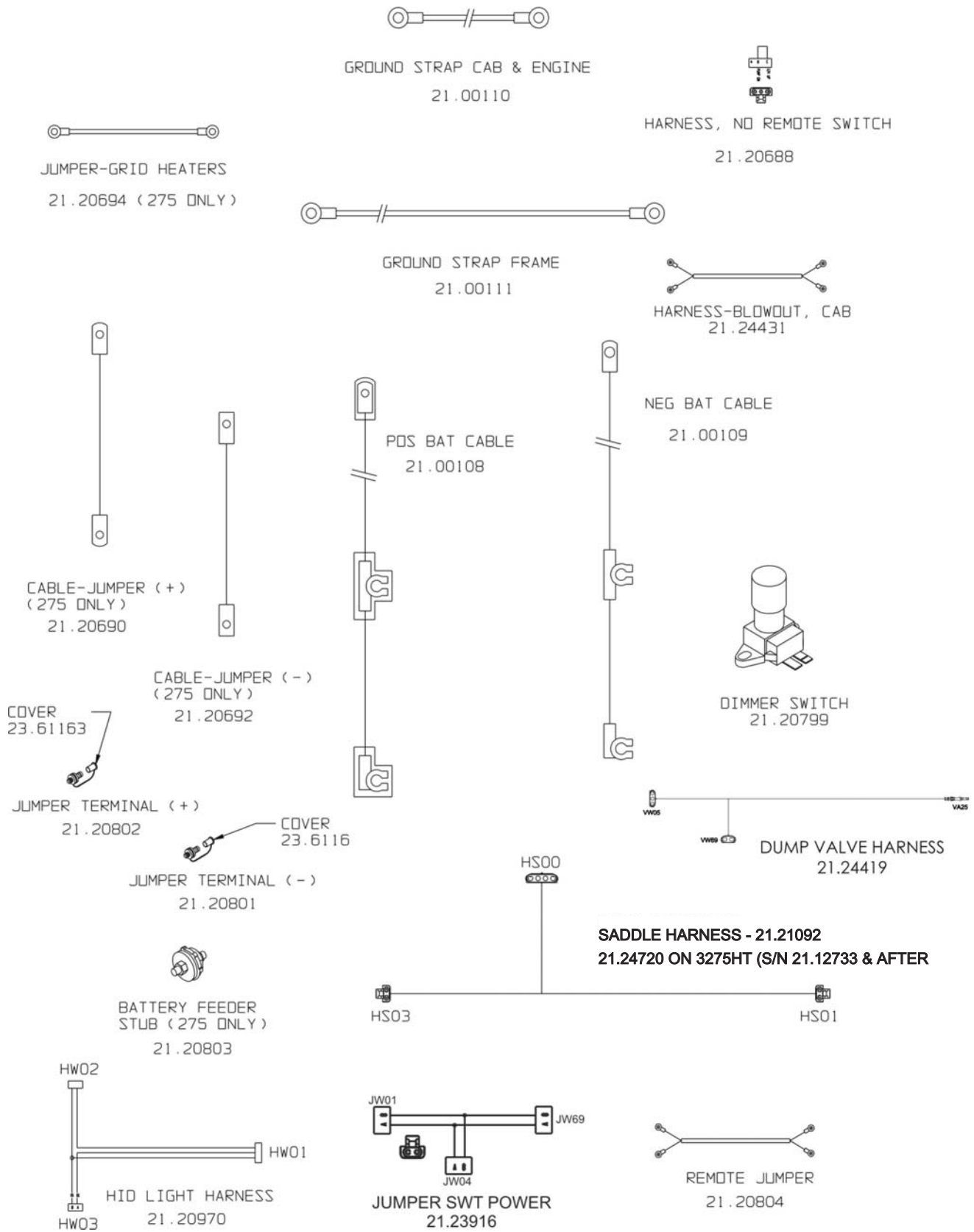
**BOOM WIRE HARNESS EX-
TENSION**

#21.20450 FIELD INSTALLED,
21.21323 FACTORY INSTALLED.



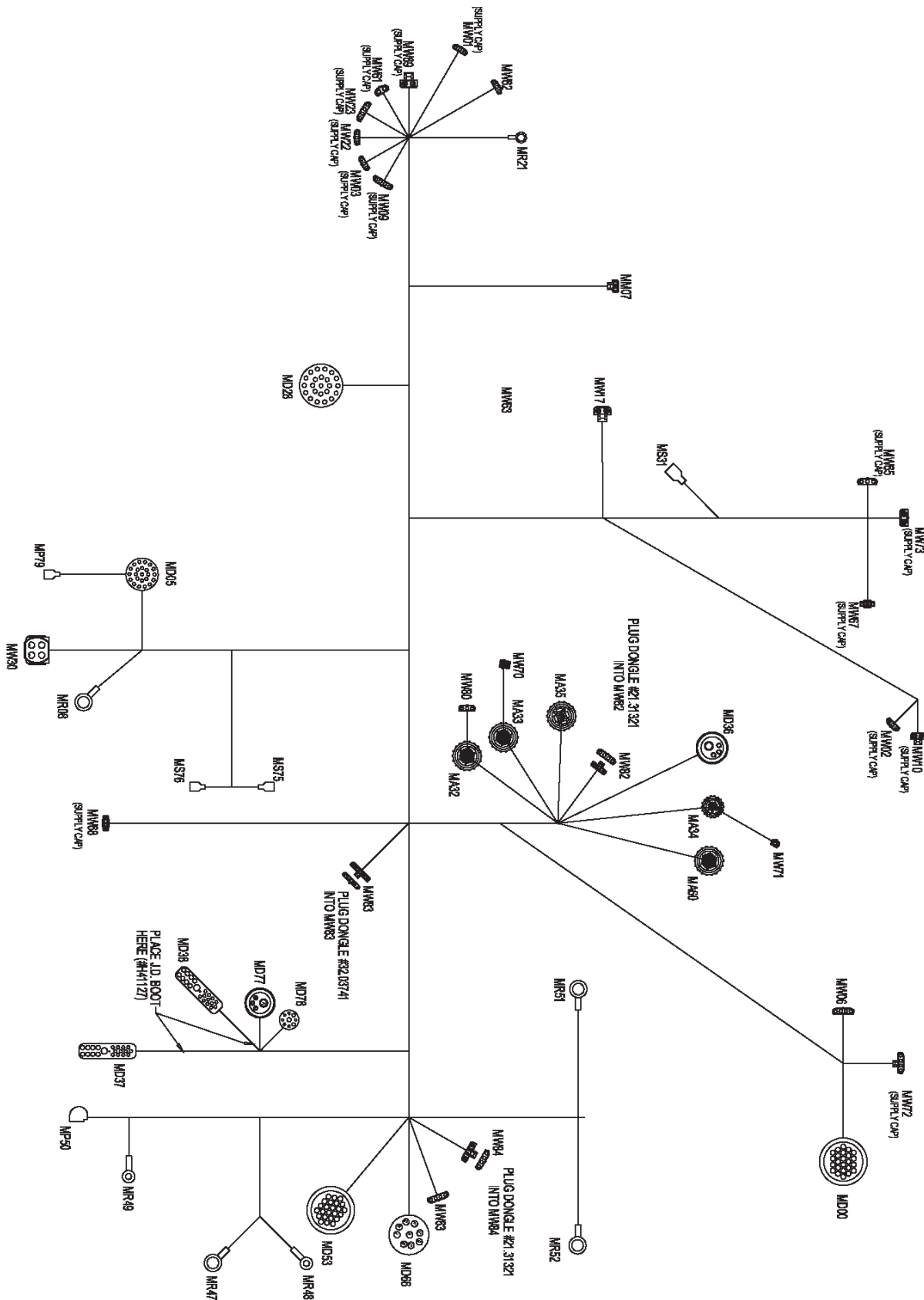
3' EXTENSION - 21.24430
6.5' EXTENSION - 21.23963

MISCELLANEOUS WIRE HARNESS



MAIN WIRE HARNESS

21.24673 - ON 3275HT, S/N 21.12733 & AFTER



This Page Intentionally Blank.

SERVICE KITS & DEALER INSTALLED OPTIONS

SERVICE KITS

Part No.	Description
21.00657	Nitro Jack Stand (Less Bottle Jack)
21.00672	O-Ring Kit
21.00686	Filter Kit - 500hr Stdsvc 275 (Prior To S/N 21.12173)
21.00687	Filter Kit - 500hr Extsvc 275 (Prior To S/N 21.12173)
21.00700	Jackstand Kit - Hi-Clearance
21.00701	Sheathing Kit - Front Hose
21.00702	Sheathing Kit - Rear 200/2200t/2200tss
21.00703	Sheathing Kit - Rear 200ht/2200ht 275/2275ht
21.00704	Kit - Fuse Block/Wire Harness
21.00707	Kit - Steering Cyl Holddowns
21.00714	Filter Kit - 500hr Stdsvc 275/2275ht (S/N 21.12173 & Up)
21.00715	Filter Kit - 500hr Extsvc 275/2275ht (S/N 21.12173 & Up)
21.00723	Kit - Air Deflector (200/2200t/2200tss)
21.00729	Kit - Remote Grease Zerk
21.00730	Kit - Temp Switch Update
21.00731	Kit - Temp Sender Update
21.00733	Kit - Condenser Support
21.00734	Kit - Valve, Brake, 2 Speed Update
21.00737	Kit - Steering Arm Removal
21.00739	Kit - Lift Cylinder Heavy Clevis
21.00742	Kit - Boom Pivot Pin Update
21.00786	Kit - Hose Update Propel Fwd
21.00788	Kit - Steering Column Conn.
21.00796	Radiator Kit, 2200HT Tall (S/N 21.12400 & After)
21.00797	Radiator Kit, 2200HT Tall (S/N 21.12399 & Before)
21.00800	Tool - Parking Brake Release
21.20265	Kit - Hi Pressure Filtration
21.20350	Kit - Engine & Radiator Mounts
21.21005	Hydraulic Test Kit. Includes: Hoses, Couplings, Gauges, And Storage Box. Used To Diagnose Hydrostatic And Auxiliary Pump Pressures. (Reduces Downtime).
21.21033	Contact Removal Tool Kit. Includes: Weatherpack, Deutsch, And Amp Removal Tools (Reduces Downtime).
21.21201	Kit - Paint Touch Up, Red
21.21202	Kit - Paint Touch Up, Black
21.21679	Hinge Replacement L.H. Primary
21.21680	Hinge Replacement R.H. Primary
21.21681	Hinge Replacement L.H. Secondary
21.21682	Hinge Replacement R.H. Secondary
21.22235	Kit - Ss Boom
21.22236	Kit - Ss Chassis
21.22638	Kit - Steering Bushing Enhancement
21.23813	Hose Kit - Aux. Circuit Update
21.23921	Switch Kit - Air Filter Update
21.24748	Drain Kit, Wetlines 75'/100' Boom
21.24749	Drain Kit, Wetlines 120' Boom
21.25200	Kit, Rear Nozzle Hose Drop
21.25169	Kit, Air Deflector 200HP
21.25236	Kit, N1 Hydro Cable Replacement
21.25289	Kit, Fan Motor Hose Replacement

OPTIONS, DEALER INSTALLED

Part No.	Description
21.00630	Kit - Flush 100 Gallon
21.00636	Rear Deck - Ordered Separate
21.00652	Kit - Speed Sensor #12 Motor
21.00654	Kit - Boom Accumulators
21.00656	Kit - Rear Step
21.00664	Remote Engine & Pump Control
21.00665	Kit - Remote Battery Terminals
21.00724	Kit - Communications
21.00725	Kit - Precision Farming
21.00726	Kit - Light Bar Brackets
21.00727	Kit - Raven Console Mnt.
21.00728	Kit - Raven Console Mnt. (Early 200's)
21.00732	Kit - Extra Air Tank
21.00735	Kit - Hyd Dry Box
21.00736	Kit - Strobe Light
21.00741	Kit - Height Control Valve - Field
21.00749	Kit - Charge Pressure Gauge
21.00752	Kit - Alternator Air Intake
21.00754	Kit - Extra Large Rsvr, Field
21.00757	Kit - Auto Flush, Field
21.00758	Kit - Remote Pump/Thrl (Field)
21.00759	Kit - Field, Rear Nozzle Flap
21.00760	Kit - 'B' Pad Pump Mount
21.00762	Kit - 2275 Reversing Fan - Field
21.00764	Kit - 2275 High Crop Shield - Field
21.00765	Kit - Decals, 200 Hp, 11drvmtr
21.00766	Kit - Decals, 200 Hp, 18 Drvmtr
21.00767	Kit - Decals, 275 Hp
21.00769	Kit - 2200 Reversing Fan - Field
21.00771	Kit, 100' Boom Tilt Orifice
21.00772	Kit, Boom Control Handle
21.00781	Kit - Lift Cyl Speed Ctrl (Field)
21.00783	Kit - 2200 Et Rear Brakes
21.20327	Kit - Speed Sensor #18 Motor
21.20416	Kit - Leg Widening Lock (Was 21.21827)
21.20969	Kit - Hid Lights
21.20986	Kit - 160" Thread Width
21.22014	Kit - Trash Guard
21.23302	Kit Splined Steering Arm Rh
21.23303	Kit Splined Steering Arm Lh
21.23896	Kit, Back-up Alarm
21.24429	Kit, Boom Blow Out

FILTERS AND FILTER KITS

		Filter Kit Early Model 200		500 Hour Filter Kits
Prior to Serial Number 2111937				
Part No.	Part No.			
21.00950	21.00951			
Standard	Premium			
Consists of:	Consists of:	Filter Number	Description	Comment
1	1	21.00924	Fuel Filter Primary	
1	1	21.00925	Fuel Filter Secondary	
2	5	21.22408	Engine Oil Filter (was21.00923)	Oil Change at 100 Hours with Premium kit
2	2	21.00922	Hydraulic Tank Filters	Short Tank Filter 6 micron
2	4	21.00921	Hydrostat Bottom Filters	Changed @ 250 Hours with Premium Kit
1	1	21.00926	Air Filter outer (primary)	Prior to Serial Number 2112400
1	1	21.00927	Air Filter Inner (secondary)	Prior to Serial Number 2112400
Filter Kit Model 200,2200SS,2200T and 200 HT, 2200HT				
From Serial Number 2111937 Through 2112399				
Part No.	Part No.			
21.01950	21.01951			
Standard	Premium			
Consists of:	Consists of:	Filter Number	Description	Comment
1	1	21.00924	Fuel Filter Primary	
1	1	21.00925	Fuel Filter Secondary	
2	5	21.22408	Engine Oil Filter (was21.00923)	Oil Change at 100 Hours with Premium kit
2	2	21.00809	Hydraulic Tank Filters	
2	4	21.00921	Hydrostat Bottom Filters	Changed @ 250 Hours with Premium Kit
1	1	21.00926	Air Filter outer (primary)	Prior to Serial Number 2112400
1	1	21.00927	Air Filter Inner (secondary)	Prior to Serial Number 2112400
Filter Kit Model 2200SS,2200T and, 2200HT				
From Serial Number 2112400 and newer				
Part No.	Part No.			
21.02950	21.02951			
Standard	Premium			
Consists of:	Consists of:	Filter Number	Description	Comment
1	1	21.00924	Fuel Filter Primary	
1	1	21.00925	Fuel Filter Secondary	
2	5	21.22408	Engine Oil Filter (was21.00923)	Oil Change at 100 Hours with Premium kit
2	2	21.00809	Hydraulic Tank Filters	
2	4	21.00921	Hydrostat Bottom Filters	Changed @ 250 Hours with Premium Kit
1	1	21.30163	Air Filter outer (primary)	Serial # 2112400 +
1	1	21.30164	Air Filter Inner (secondary)	Serial # 2112400 +

Filter Kit Model 275 early Models serial # 2112172 and prior				
Part No.	Part No.			
21.00686	21.00687			
Standard	Premium			
Consists of:	Consists of:	Filter Number	Description	Comment
1	1	21.21105	Fuel primary	
1	1	21.21107	Fuel tank strainer	Hose Barb ends
2	5	21.22423	Engine Oil	Oil Change at 100 Hours with premium kit
1	1	21.21112	Case Drain Filter	
2	2	21.22259	Hydraulic Tank (2)	
2	4	21.00921	Hydro Filter	Changed @ 250 Hours with Premium Kit
1	1	21.21101	Filter Air primary	
1	1	21.21102	Filter Air secondary	
Filter Kit Model 275, 2275 Models serial # 2112173 and newer				
Part No.	Part No.			
21.00714	21.00715			
Standard	Premium			
Consists of:	Consists of:	Filter Number	Description	Comment
1	1	21.21105	Fuel primary	
1	1	21.21843	Fuel tank strainer	Female threaded ends
2	5	21.22423	Engine Oil	Oil Change at 100 Hours with premium kit
1	1	21.21112	Case Drain Filter	
2	2	21.22259	Hydraulic Tank (2)	
2	4	21.00921	Hydro Filter	Changed @ 250 Hours with Premium Kit
1	1	21.21101	Filter Air primary	
1	1	21.21102	Filter Air secondary	

INDEX, NUMERICAL

PART NO.	PAGE	PART NO.	PAGE	PART NO.	PAGE
000250362H	4-47	07.07495	3-53	07.08671	3-53, 3-71
000250390N	4-47	07.07496	3-55	07.08675	3-53, 3-71
01.10616	3-81	07.07719	3-39, 3-43, 3-45,	07.08821	3-21, 4-9
01.73844	4-5, 4-71, 4-73	3-47		07.08905	3-24
02.16500	4-53	07.07721	3-19, 3-39, 3-45	07.09190	3-22, 3-24
07.00632	4-3	07.07739	3-35, 3-37, 3-39,	07.09262	3-53, 3-71
07.02975	2-11, 4-37	3-41, 3-43, 3-57, 3-63, 3-79		07.09263	3-53, 3-71
07.05114	3-81	07.07753	3-53, 3-55	07.09281	3-47
07.05189	2-11, 4-41	07.07813	2-5	07.09282	7-11
07.05208	4-3	07.07814	2-5	07.09294	3-21
07.05492	4-51	07.07819	2-5	07.09295	3-21
07.05527	1-7	07.07825	2-5	07.09296	3-21
07.05531	3-11	07.07861	3-22, 3-24	07.09297	3-21
07.05756	4-3, 4-11	07.07865	3-22, 3-24	07.09298	3-21
07.05945	4-37	07.07867	3-22, 3-24	07.09299	3-21
07.06089	4-65	07.07871	3-24	07.09300	3-21
07.06440	2-11	07.07872	3-24	07.09301	3-21
07.06552	3-12, 7-11	07.07947	7-11	07.09302	3-21
07.06648	3-49, 3-51, 3-53,	07.07972	3-53, 3-55	07.09303	3-21
3-55		07.07973	3-37, 3-39, 3-41,	07.09304	3-21
07.06654	3-69	3-45, 3-47, 3-57, 3-59, 4-7		07.09305	3-21
07.06681	3-63, 3-79	07.07974	3-65, 3-67, 3-71,	07.09358	3-24
07.06696	3-33, 3-37	3-79		07.09359	3-22, 3-24
07.06697	3-37, 3-59	07.07984	3-37, 3-39, 3-43,	07.09360	3-22, 3-24
07.06698	3-63, 3-65	3-45, 4-3, 4-5		07.09361	3-22, 3-24
07.06699	3-55, 3-63, 3-65	07.07987	3-47	07.09362	3-22, 3-24
07.06700	3-37, 3-39, 3-41,	07.07992	3-55, 3-65	07.09363	3-25, 3-26
3-57, 3-59, 3-63		07.07995	3-65	07.09542	3-31, 3-33, 3-37,
07.06701	3-33, 3-37, 3-39,	07.07996	3-47	3-43, 3-45, 3-47	
3-43, 3-45, 3-53, 3-55, 3-59, 3-63,		07.08005	3-69	07.09677	3-43
3-65, 3-71, 3-79		07.08006	3-69	07.10257	3-81
07.06702	3-33, 3-37, 3-39,	07.08007	3-69	07.10258	3-29, 4-5
3-43, 3-45, 3-53, 3-55, 3-59, 3-63,		07.08064	3-69	07.10260	3-15, 4-7
3-65, 3-79		07.08145	3-19	07.10269	3-29, 3-35, 3-63
07.06852	3-65	07.08146	3-19	07.10279	3-71
07.06872	3-63, 3-65	07.08252	3-22, 3-24	07.10289	3-3, 3-5, 3-7, 3-9,
07.06977	3-43, 3-53, 3-55	07.08477	3-65	3-11, 3-29, 3-33, 3-41, 3-49, 3-51,	
07.06979	3-69	07.08577	3-17	3-65	
07.07003	3-63, 3-65	07.08578	3-17	07.10291	3-5, 3-7, 3-71, 4-7
07.07004	3-33, 3-37, 3-41	07.08579	3-17	07.10292	3-29, 3-35, 3-63,
07.07074	3-39, 3-45, 3-47,	07.08580	3-17	4-5	
3-65		07.08581	3-17	07.10295	3-27, 3-67
07.07076	3-41	07.08582	3-17	07.10297	3-71
07.07077	4-5	07.08583	3-17	07.10301	4-3
07.0711	3-45	07.08584	3-17	07.10302	3-81, 4-3
07.07110	3-37, 3-39, 3-47,	07.08585	3-17	07.10305	3-15, 4-7
4-5		07.08586	3-17	07.10316	3-29, 3-33, 3-41,
07.07114	3-53, 3-55	07.08587	3-17	3-49, 3-51, 3-65, 3-69	
07.07397	3-24	07.08588	3-17	07.10318	3-81
07.07400	3-39	07.08589	3-17	07.10321	3-29, 3-35, 3-39,
07.07402	3-39, 3-41, 3-45,	07.08661	3-53, 3-71	3-41, 3-45, 3-47, 4-3, 4-7	
3-47, 3-59		07.08670	3-53, 3-71		

PART NO.	PAGE	PART NO.	PAGE	PART NO.	PAGE
07.10322	3-15, 3-73, 3-77, 3-81, 4-7	07.10565	3-27, 3-67, 3-81	07.12166	3-22, 3-24, 3-25, 3-26
07.10327	3-9, 3-11, 3-29, 3-33, 3-49, 3-51, 3-69, 4-7	07.10567	3-12	07.12170	3-22, 3-24
07.10328	3-71	07.10570	3-71, 3-73, 3-77, 4-7	07.12192	3-22, 3-24, 3-25, 3-26
07.10329	3-35, 3-43, 3-57, 3-63, 3-79	07.10572	3-71, 3-81	07.12193	3-25, 3-26
07.10331	3-55	07.10580	3-12	07.12279	3-22, 3-24, 3-25, 3-26
07.10333	3-27, 3-67	07.10582	3-31	07.12298	3-29, 3-35, 3-43, 3-57, 3-63
07.10341	3-15, 4-7	07.10583	3-31	07.12299	3-59
07.10342	3-29, 3-35, 3-39, 3-43, 3-79	07.10607	3-67	07.12319	3-67
07.10344	3-81, 4-3	07.10645	3-69	07.12323	3-67
07.10348	3-15, 3-73, 3-77, 4-7	07.10670	3-69	07.12341	3-43, 3-57
07.10354	3-29	07.10677	3-69	07.12342	3-43, 3-57
07.10358	3-51	07.10680	3-69	07.12344	3-43, 3-57
07.10363	3-49, 3-51	07.10682	3-69	07.12345	3-57
07.10364	3-81	07.10683	3-69	07.12346	3-33
07.10366	3-15	07.10693	3-69	07.12352	3-29
07.10367	3-15, 3-33, 3-73, 3-77, 3-81, 4-5	07.10694	3-29, 3-33, 3-37, 3-39, 3-43, 3-45, 3-47	07.12354	3-41, 3-59
07.10370	3-67	07.10695	3-69	07.12379	3-29, 3-33, 3-37, 3-39, 3-45, 3-47, 4-5
07.10381	4-3	07.10696	3-29, 3-33, 3-37, 3-39, 3-43, 3-45, 3-47	07.12401	3-41, 3-59
07.10383	3-27	07.11129	3-31	07.12625	3-24
07.10385	3-15, 4-7	07.11286	3-31	07.12634	3-22, 3-25, 3-26
07.10386	3-29, 3-33, 3-49, 3-51, 3-65, 4-7	07.11440	3-31	07.13030	3-73, 3-77, 4-3
07.10387	3-29, 3-49, 3-51	07.11584	3-33, 3-37, 3-39, 3-41, 3-45, 3-47, 3-59, 4-3, 4-5	07.13033	3-31, 3-49, 3-51
07.10388	3-81	07.11587	3-39, 3-45, 3-57	07.13034	3-31, 3-49, 3-51, 3-65
07.10390	3-29, 3-35	07.11613	3-12, 3-55	07.13051	3-67, 3-71
07.10391	3-73, 3-77, 3-81	07.11690	3-35, 3-63	07.13053	2-5
07.10395	3-67	07.11691	3-33, 3-37, 3-39, 3-41, 3-45, 3-47, 3-65, 3-79	07.13135	3-22, 3-24, 3-25, 3-26, 3-75
07.10396	3-29, 4-5	07.11692	3-31	07.13145	3-81
07.10397	3-33, 4-3, 4-5	07.11693	3-39, 3-41, 3-45, 3-47, 3-59	07.13245	3-12, 4-5
07.10400	3-29, 3-49, 3-51	07.11694	3-35, 3-37, 3-49, 3-51, 3-63, 3-65	07.13309	3-81
07.10407	3-29	07.11695	3-81	07.13366	4-11
07.10421	3-49	07.11696	4-3	07.13369	3-55
07.10424	3-65	07.11698	3-11, 3-33, 3-37, 3-39, 3-41, 3-45, 3-47, 3-51, 3-53, 3-69	07.13370	3-11, 3-53, 4-3
07.10426	3-29	07.11699	3-12, 3-63	07.13371	3-29, 3-65, 3-69
07.10428	3-29	07.12080	3-22, 3-24, 3-25, 3-26	07.13373	3-29, 3-33, 3-41, 3-65
07.10476	3-29	07.12096	3-22, 3-24, 3-25, 3-26, 3-75	07.13377	3-67
07.1048	3-45	07.12113	3-22, 3-24	07.13379	3-67
07.10480	3-29, 3-33, 3-37, 3-43	07.12122	3-22, 3-24, 3-25, 3-26, 3-75	07.13406	3-22, 3-24, 3-25, 3-26, 3-75
07.10482	3-29, 3-33, 3-37, 3-43, 3-45	07.12125	3-22, 3-24, 3-25, 3-26, 3-75	07.13446	3-81
07.10557	3-11, 3-31, 3-33, 3-37, 3-39, 3-41, 3-45, 3-47, 3-51, 3-53	07.12153	3-22, 3-24, 3-25, 3-26	07.13536	4-3
07.10559	3-39, 3-41, 3-57			07.13546	3-22, 3-24, 3-25, 3-26
07.10561	3-33, 3-37, 3-49, 3-51, 3-55, 3-63, 3-65			07.13553	3-22, 3-24, 3-25, 3-26
07.10562	3-39, 3-45, 3-47			07.13554	3-22, 3-24, 3-25, 3-26

PART NO.	PAGE	PART NO.	PAGE	PART NO.	PAGE
07.13555	3-22, 3-24, 3-25,	07.17107	3-41, 4-11	07.20809	3-15
3-26		07.17210	4-7	07.20825	3-15, 3-17
07.13567	3-15, 4-11	07.17275	3-81	07.20851	3-15
07.13568	3-15, 4-11	07.17338	3-27	07.20853	3-15, 3-17
07.13569	3-15, 4-11	07.17385	3-15, 3-27	07.20854	3-15
07.13576	3-15	07.17401	4-5	07.20856	3-13, 3-15
07.13579	3-15	07.17402	3-67, 3-71	07.20861	3-15
07.13583	3-15	07.17405	4-11	07.20862	3-15
07.13584	3-15, 4-11	07.17406	3-63	07.20869	3-13
07.13588	3-15, 4-11	07.17417	3-65	07.20870	3-13
07.13693	3-31	07.17475	3-69	07.20871	3-13
07.13739	3-27, 3-67, 3-71	07.17498	3-67	07.20872	3-13
07.15044	3-81	07.17641	3-22, 3-24	07.20873	3-13
07.15046	3-81	07.17699	2-5, 2-9	07.20874	3-13
07.15090	3-73, 3-77, 3-81	07.17704	2-5, 2-9	07.20875	3-13
07.15306	3-59	07.17728	2-5, 2-9	07.20876	3-13
07.15433	3-22, 3-24	07.17730	4-7	07.20877	3-13
07.15434	3-22, 3-24, 3-25,	07.17732	3-73, 3-77	07.20878	3-13
3-26, 3-75		07.17847	5-3, 5-7	07.20887	3-13
07.15435	3-22, 3-24, 3-25,	07.17866	3-75	09.71121	4-71, 4-73
3-26, 3-75		07.19006	5-3, 5-7	09.72002	4-41
07.15437	3-25, 3-26	07.19022	3-27, 4-9	09.72606	2-9
07.15439	3-22, 3-24	07.19034	2-11	09.74201	4-9
07.15495	4-3	07.20005	4-7	09.74203	4-15
07.15684	3-27, 3-73, 4-3,	07.20082	3-31, 3-51	09.74300	4-63, 4-65
4-11		07.20116	3-19	11.77120	4-5, 4-71, 4-73
07.15692	3-29, 3-35, 3-63,	07.20148	3-81	11.77710	4-71, 4-73
3-65		07.20149	3-81	11.77800	4-3, 4-9, 5-3, 5-7
07.15733	3-31, 3-35, 3-37,	07.20150	3-81	11.80528	3-13, 3-15, 4-17,
3-59, 3-63		07.20151	3-81	5-5, 5-9	
07.15790	3-67, 3-71	07.20152	3-81	11.80529	3-13, 3-15, 3-17,
07.15872	4-3	07.20161	4-3, 4-7	3-65	
07.15985	3-31, 3-35, 3-37,	07.20162	3-19, 3-39, 3-41,	11.80530	3-79
3-39, 3-41, 3-45, 3-47, 3-65, 4-5		3-45, 3-47, 3-57		12.10078	4-51
07.16048	3-65	07.20204	3-12	12.10692	1-9
07.16209	3-29, 3-49, 3-51	07.20208	3-13, 3-15, 3-17	14.77851	1-8
07.16313	3-81	07.20226	3-15	17.00664	2-3, 2-7
07.16424	3-29, 3-39, 3-41,	07.20251	3-15, 4-11	2.0112.615.2	4-17
3-45, 3-47, 3-63, 4-7		07.20254	3-15, 3-17, 4-11	2.1011.103.2	4-23
07.16425	3-29, 3-33, 3-41,	07.20263	4-11	21.00001	5-11, 5-15, 5-19
4-7		07.20264	4-11	21.00002	4-9, 4-17
07.16429	3-29, 3-49, 3-51	07.20265	4-11	21.00003	5-19
07.16530	3-29, 4-5	07.20286	3-12	21.00006	5-11, 6-3
07.16542	3-71, 3-73, 3-77,	07.20287	3-12	21.00007	6-15
4-7		07.20288	3-12	21.00008	4-13
07.16715	3-13, 3-15, 5-5, 5-9	07.20289	3-12	21.00009	4-9
07.16723	3-71	07.20290	3-13, 3-15	21.00011	5-13
07.16755	4-3	07.20297	3-15	21.00012	4-59
07.16756	4-3	07.20342	3-45, 3-47	21.00013	5-13, 6-13
07.16758	3-39, 3-45, 3-47,	07.20357	3-19	21.00014	5-19
3-59		07.20368	3-21, 4-9	21.00017	6-13
07.16943	3-71	07.20708	3-15, 3-27, 3-79,	21.00018	4-59
07.17021	3-39, 3-41, 3-45,	4-11		21.00019	5-19
3-47, 3-59		07.20729	3-81	21.00024	7-3

PART NO.	PAGE	PART NO.	PAGE	PART NO.	PAGE
21.00025	4-27, 7-3	21.00116	7-3	21.00192	4-63, 4-67
21.00026	7-3	21.00117	4-74	21.00193	4-63, 4-67, 4-71
21.00027	7-7, 7-9	21.00118	2-3, 2-7	21.00194	4-5
21.00030	7-5	21.00121	2-11	21.00195	4-63, 4-67, 4-71,
21.00031	7-5	21.00122	2-11	4-73	
21.00032	7-5	21.00123	2-11	21.00196	5-19
21.00033	7-5	21.00124	2-11	21.00197	3-73
21.00034	7-5	21.00125	2-11	21.00198	3-73
21.00035	7-5	21.00127	2-5, 6-13	21.00199	6-11
21.00037	5-3, 5-7	21.00129	4-41	21.00207	4-58, 4-59
21.00038	4-9	21.00130	4-37, 4-41	21.00209	3-32, 3-33, 3-34,
21.00040	4-63, 4-67	21.00131	4-59	3-35	
21.00041	4-63, 4-67	21.00132	2-5, 2-9, 4-9, 4-55	21.00219	3-48, 3-49, 3-50,
21.00044	5-11, 5-15	21.00133	4-55	3-51	
21.00044R	5-11, 5-15	21.00134	4-55	21.00220	3-48, 3-49
21.00045	5-19	21.00135	4-55	21.00230	3-11
21.00048	3-12, 3-13	21.00136	4-55	21.00251	4-11
21.00052	4-35	21.00138	4-9	21.00252	4-11
21.00053	4-35	21.00139	2-5, 2-9, 4-41, 4-51	21.00253	6-15
21.00054	5-19	21.00140	5-13, 5-17	21.00255	6-13
21.00055	4-35	21.00141	2-3, 2-7	21.00258	6-5
21.00057	4-35, 5-21	21.00142	5-11, 5-15	21.00259	3-71
21.00058	4-35	21.00143	5-13, 5-17	21.00261	5-21
21.00059	4-35	21.00145	4-51	21.00264	5-5, 5-7
21.00060	4-35	21.00146	5-21	21.00265	4-17, 5-5, 5-9
21.00061	4-35	21.00147	3-61	21.00267	5-5, 5-9
21.00062	4-35	21.00148	3-61	21.00268	5-5, 5-9
21.00063	4-35	21.00151	3-19	21.00269	5-5
21.00064	4-35	21.00154	2-5, 2-9	21.00271	5-5, 5-9
21.00065	4-63, 4-67	21.00155	6-11	21.00272	5-5, 5-9
21.00066	4-63, 4-67	21.00157	4-63, 4-67	21.00274	5-5, 5-9
21.00067	4-63, 4-67, 4-71	21.00158	3-29, 3-49, 3-51	21.00275	5-5
21.00068	4-41	21.00160	4-63, 4-67	21.00278	4-37, 4-51
21.00069	4-41	21.00162	5-3	21.00300	3-73
21.00070	4-41	21.00164	4-67	21.00302	3-19
21.00071	4-5	21.00165	4-67	21.00304	4-59
21.00072	3-29, 3-49	21.00167	5-5, 5-9	21.00327	3-73
21.00077	3-19	21.00168	4-63, 4-67	21.00331	3-78
21.00079	3-29	21.00169	4-17, 5-21	21.00332	3-78
21.00080	7-7	21.00170	5-21	21.00334	4-59
21.00083	6-4	21.00171	5-21	21.00335	2-11
21.00087	5-3, 5-7	21.00177	3-24, 3-25, 3-29,	21.00338	4-59
21.00088	6-15	3-57		21.00340	4-37
21.00090	4-37	21.00178	2-11	21.00341	3-61, 3-63, 3-65
21.00091	7-3	21.00179	5-3, 5-7	21.00343	3-78
21.00092	7-3	21.00181	4-63, 4-71, 4-73	21.00347	5-9
21.00093	7-3	21.00184	4-41	21.00357	3-73
21.00094	7-3	21.00185	7-15	21.00369	4-9, 5-3, 5-7
21.00095	7-3	21.00186	3-3, 3-5, 3-7, 3-9	21.00370	5-5, 5-9
21.00096	7-3	21.00187	4-41	21.00371	5-5
21.00097	5-3, 5-7	21.00188	4-63, 4-67	21.00373	5-5
21.00099	5-7	21.00189	5-3, 5-7	21.00374	5-21
21.00106	3-61	21.00190	4-13, 4-51, 6-15	21.00376	4-9, 5-3, 5-7
21.00112	3-71	21.00191	4-63, 4-65	21.00378	4-9, 5-3, 5-7

INDEX, NUMERICAL

PART NO.	PAGE	PART NO.	PAGE	PART NO.	PAGE
21.00380	5-3, 5-7	21.00551	3-15, 4-9, 5-5, 5-9	21.00710	3-77
21.00383	5-5	21.00552	3-15, 4-7	21.00714	8-1
21.00384	5-3, 5-7	21.00553	3-15, 4-7	21.00715	8-1
21.00385	3-3, 3-5, 3-7, 3-9, 3-11	21.00554	4-5	21.00723	8-1
21.00386	3-3, 3-5, 3-7, 3-9, 3-11	21.00555	4-59	21.00724	4-15, 8-2
21.00387	3-3, 3-5, 3-7, 3-9, 3-11	21.00559	4-59	21.00725	3-19, 4-15, 8-2
21.00388	3-3, 3-5, 3-7, 3-9, 3-11	21.00560	6-4	21.00726	4-15, 8-2
21.00391	5-3, 5-7	21.00561	1-8, 5-13, 5-17	21.00727	8-2
21.00392	5-3, 5-7	21.00562	6-11	21.00728	8-2
21.00415	3-78	21.00563	2-3, 2-7, 2-9, 4-39	21.00729	8-1
21.00420	5-3, 5-7	21.00564	2-3	21.00730	5-3, 5-7, 8-1
21.00421	3-73	21.00625	5-3	21.00731	5-3, 5-7, 8-1
21.00439	3-73	21.00630	8-2	21.00732	8-2
21.00443	3-78	21.00631	3-72, 3-73, 3-74, 3-75	21.00733	8-1
21.00456	5-3, 5-7	21.00633	3-70, 3-71	21.00734	8-1
21.00469	3-73	21.00634	3-58, 3-59	21.00735	8-2
21.00500	3-3, 3-5, 3-7, 3-9	21.00635	4-53	21.00736	8-2
21.00501	3-3, 3-5, 3-7, 3-9	21.00636	8-2	21.00737	8-1
21.00502	3-7, 3-9	21.00638	3-56, 3-57	21.00739	4-51, 8-1
21.00503	3-3, 3-5, 3-7, 3-9	21.00640	3-62, 3-63	21.00741	8-2
21.00504	3-3, 3-5, 3-7, 3-9	21.00647	4-74	21.00742	2-7, 8-1
21.00505	3-3, 3-5, 3-7, 3-9	21.00651	3-68, 3-69	21.00749	4-59, 8-2
21.00506	3-3, 3-5, 3-7, 3-9	21.00652	8-2	21.00752	5-13, 5-17, 8-2
21.00507	3-3, 3-5, 3-7, 3-9	21.00653	3-66, 3-67	21.00754	8-2
21.00508	3-3, 3-5, 3-7, 3-9	21.00654	8-2	21.00757	8-2
21.00509	3-3	21.00656	8-2	21.00758	8-2
21.00510	3-3, 3-5, 3-7, 3-9	21.00657	8-1	21.00759	3-67, 8-2
21.00511	3-3	21.00664	8-2	21.00760	8-2
21.00512	3-3, 3-5, 3-7, 3-9	21.00665	8-2	21.00762	8-2
21.00513	6-11	21.00669	3-62, 3-63	21.00764	8-2
21.00514	6-11	21.00670	3-58, 3-59	21.00765	8-2
21.00515	6-11	21.00672	8-1	21.00766	8-2
21.00516	6-11	21.00674	4-74	21.00767	8-2
21.00521R	4-45	21.00675	3-56, 3-57	21.00769	8-2
21.00522R	4-45	21.00676	3-58, 3-59	21.00771	8-2
21.00523R	4-45	21.00677	3-58, 3-59	21.00772	8-2
21.00524R	4-45	21.00683	3-66, 3-67	21.00781	8-2
21.00525	2-3, 2-9	21.00686	8-1	21.00783	8-2
21.00526	2-3, 2-7	21.00687	8-1	21.00786	8-1
21.00527	2-3, 2-7	21.00689	4-53	21.00788	8-1
21.00528	4-37	21.00691	3-64, 3-65	21.00796	8-1
21.00529	4-39	21.00698	3-70, 3-71	21.00797	8-1
21.00530	4-51	21.00699	3-70, 3-71	21.00800	8-1
21.00531	4-41	21.00700	8-1	21.00809	4-59
21.00538	2-3, 2-7, 4-39	21.00701	4-41, 8-1	21.00810	3-25, 3-26
21.00539	2-3, 2-7	21.00702	8-1	21.00811	3-25, 3-26
21.00540	4-37	21.00703	8-1	21.00812	3-25, 3-26
21.00545	2-3, 2-7	21.00704	8-1	21.00813	3-25, 3-26
21.00546	4-51	21.00705	3-68, 3-69	21.00814	3-25, 3-26
21.00550	5-3, 5-7	21.00706	3-68, 3-69	21.00815	3-25
		21.00707	8-1	21.00816	3-12
		21.00707L	4-39	21.00817	6-13
		21.00707R	4-39	21.00818	6-13
				21.00819	6-13

PART NO.	PAGE	PART NO.	PAGE	PART NO.	PAGE
21.00820	6-13	21.00877	6-5	21.00946	7-11
21.00821	6-13	21.00878	6-5	21.00947	7-11
21.00822	6-13	21.00879	6-5	21.00948	7-11
21.00823	6-13	21.00880	6-5	21.00949	7-11
21.00824	6-13	21.00881	4-74	21.00952	4-51
21.00825	3-61, 7-7	21.00882	4-74	21.00953	2-3, 2-7
21.00826	7-7	21.00885	5-13, 5-17	21.00954	7-15
21.00827	7-7	21.00887	4-43	21.00955	4-21
21.00828	7-7	21.00888	5-11, 6-3	21.00958	7-11
21.00829	7-7	21.00889	5-11, 6-3	21.00959	7-11
21.00830	7-7	21.00891	4-5	21.00960	7-13
21.00833	6-13	21.00892	4-5	21.00961	7-13
21.00834	6-13	21.00893	4-3	21.00962	7-13
21.00835	4-43	21.00900	6-1	21.00963	7-15
21.00836	6-3	21.00901	6-1	21.00964	7-15
21.00837	6-3	21.00902	6-1	21.00965	7-13
21.00838	6-3	21.00903	6-1	21.00966	7-13
21.00839	6-3	21.00904	6-1	21.00967	7-13
21.00840	6-3	21.00905	6-1	21.00968	7-13
21.00841	6-3	21.00906	6-1	21.00969	7-13
21.00842	4-43	21.00907	6-1	21.00970	7-13
21.00843	3-15, 3-17	21.00908	6-1	21.00971	3-13
21.00844	3-12, 3-13	21.00909	6-1	21.00972	3-13
21.00845	6-3	21.00910	6-1	21.00974	7-13
21.00846	3-12	21.00911	6-1	21.00975	7-15
21.00847	4-59	21.00916	4-41	21.00976	7-13
21.00848	4-59	21.00918	7-13	21.00977	7-13
21.00849	4-59	21.00920	6-1	21.00978	7-13
21.00851	3-15	21.00921	5-11, 5-15, 6-3	21.00979	7-13
21.00852	3-15	21.00922	4-59	21.00980	7-13
21.00853	3-15, 3-17	21.00923	5-13	21.00981	7-13
21.00854	3-15	21.00924	5-3	21.00982	7-13
21.00855	3-15, 3-17	21.00925	5-3	21.00983	7-13
21.00856	3-15, 3-17	21.00926	4-67	21.00986	7-13
21.00857	3-17, 4-49	21.00927	4-67	21.00987	7-13
21.00858	4-59	21.00928	5-11, 5-15	21.00988	7-13
21.00859	4-11	21.00928R	5-11, 5-15	21.00989	7-13
21.00860	4-74	21.00929R	5-11	21.00990	7-13
21.00861	7-5	21.00930	6-5	21.00991	7-13
21.00862	7-5	21.00931	6-5	21.00992	7-13
21.00863	7-5	21.00932	6-5	21.00993	7-11
21.00864	3-75	21.00933	6-5	21.00994	7-11
21.00865	3-75	21.00934	6-13	21.00995	7-15
21.00866	3-75	21.00935	6-13	21.00996	7-15
21.00867	3-75	21.00936	6-13	21.00997	7-15
21.00868	3-73	21.00937	4-74	21.00998	7-15
21.00869	3-73	21.00938	4-74	21.01000	7-15
21.00870	3-73	21.00939	5-21	21.01001	7-15
21.00871	3-73	21.00940	7-11	21.01002	7-15
21.00872	3-75	21.00941	7-11	21.01004	7-15
21.00873	3-75	21.00942	7-11	21.01005	7-13, 7-15
21.00874	3-75	21.00943	7-11	21.01006	7-13
21.00875	3-12	21.00944	7-11	21.01007	7-13
21.00876	6-5	21.00945	7-11	21.01008	7-13

INDEX, NUMERICAL

PART NO.	PAGE	PART NO.	PAGE	PART NO.	PAGE
21.01009	7-13	21.07232	4-55, 4-57	21.09025	1-8
21.01010	7-13	21.07233	4-55	21.09026	1-7
21.01011	7-13	21.07234	4-55	21.09027	7-5
21.01012	7-13, 7-15	21.07240	4-41	21.09031	4-51
21.01014	7-13	21.07242	2-11	21.09032	4-9
21.01015	7-13	21.07243	2-11	21.09033	5-17
21.01016	7-11	21.07300	3-73	21.09033.5	5-13
21.01017	7-11	21.07301	3-73, 3-78	21.09040	1-9
21.01018	7-11	21.07302	3-73, 3-78	21.09041	1-9
21.05030	2-11	21.07303	3-71	21.09042	1-9
21.05031	2-11	21.07510	4-53	21.09044	1-7, 2-11
21.05032	2-11	21.07511	4-53	21.09045	1-7
21.05033	2-11	21.08002	4-51	21.09048	1-9, 4-37
21.05034	2-11	21.08003	4-51	21.09053	5-19, 5-23
21.05035	3-71	21.08050	4-51	21.09066	5-21
21.05050	2-3, 2-7	21.08052	4-51	21.09067	5-21
21.05053	2-3	21.08060	4-51	21.09072.5	4-9
21.05055	2-3, 2-7	21.08100	4-51	21.09098	4-39
21.05060	2-3	21.08300	4-51	21.09099	4-39
21.05064	2-5, 2-9	21.08325	4-51	21.09904	5-3, 5-7
21.05066	2-3	21.08329	4-51	21.10002	4-41
21.05067	2-5	21.08330	4-51	21.10014	4-39
21.05070	2-9	21.08350	4-53	21.10015	4-41
21.05100	2-3, 2-7	21.08356	4-53	21.10020	4-17, 6-11
21.05120	4-53	21.08357	4-53	21.10021	6-11
21.05200	2-5	21.08360	4-53	21.10049	4-41
21.05202	2-7	21.08365	4-53	21.10068	4-41
21.05232	2-5, 2-9	21.08367	4-53	21.10093	4-39
21.05300	2-3	21.08369	4-53	21.10094	4-39
21.05302	2-7	21.08370	4-53	21.10100	4-39
21.05305	2-3	21.08380	2-9	21.10101	4-39
21.05307	2-7	21.08410	4-53	21.10158	4-55
21.05426	2-5, 2-9	21.08412	4-51	21.10178	4-39
21.05427	2-5, 2-9	21.08413	4-53	21.10179	4-41
21.07000	3-61	21.08413F	4-3	21.10200	4-41
21.07011	3-61	21.09001	7-7	21.10219	4-37
21.07012	3-61	21.09002	7-7	21.10230	4-39
21.07014	1-11, 3-61	21.09004	1-8	21.10280	4-37
21.07015	3-61	21.09005	7-3	21.10300	4-37
21.07020	3-61, 3-65	21.09006	1-8	21.10327	4-37
21.07030	3-63, 3-65	21.09007	4-41	21.10328	5-21
21.07120	4-3	21.09008	4-39	21.10329	4-41
21.07121	4-3	21.09009	4-37	21.10398	6-11
21.07150	4-11	21.09012	4-39	21.10399	6-11
21.07170	4-11	21.09013	4-39	21.10400	4-59
21.07174	4-11	21.09014	4-39	21.10500	4-63
21.07207	4-55	21.09016	5-11, 5-15	21.10508	4-65
21.07208	4-55	21.09017	5-19	21.10517	4-63
21.07214	4-55	21.09018.5	3-21, 4-9	21.10521	4-63
21.07216	4-74	21.09019.7	3-19	21.10534	4-63
21.07217	4-74	21.09020	1-7, 4-27	21.10540	4-63, 4-65
21.07222	4-55	21.09022	5-3	21.10545	4-63, 4-67
21.07230	4-55	21.09023	5-11	21.10546	4-63
21.07231	4-55	21.09024	1-7	21.10547	4-63, 4-67

PART NO.	PAGE	PART NO.	PAGE	PART NO.	PAGE
21.10548	4-63	21.10733	4-65	21.12459	3-37, 3-40, 3-41,
21.10550	4-63, 4-65	21.11937	4-59	3-42, 3-43	
21.10556	4-41	21.12060	4-37	21.12460	3-24, 3-44, 3-45,
21.10558	4-9	21.12083	4-67	3-56, 3-57, 3-58, 3-59, 4-41	
21.10559	4-63, 4-65	21.12087	3-48, 3-49, 3-50,	21.12506	4-67
21.10560	4-63, 4-65	3-51		21.12630	4-71, 4-73
21.10565	5-11	21.12100	3-61	21.12657	3-64, 3-65, 4-33
21.10566	4-37	21.12103	4-55	21.12660	4-33
21.10570	4-63, 4-65	21.12110	4-41	21.12733	1-11
21.10589	4-63	21.12116	3-59	21.20001	2-3, 2-7
21.10590	4-63, 4-67	21.12136	3-40, 3-41, 3-42,	21.20003	2-3, 2-7
21.10600	4-63, 4-67	3-43		21.20004	2-3, 2-7
21.10601	4-63	21.12149	5-5, 5-7	21.20005	4-37
21.10602	4-63, 4-67	21.12156	4-67	21.20006	4-51
21.10603	4-63	21.12161	6-13	21.20007	4-39
21.10604	4-63, 4-67	21.12173	5-3, 5-5, 5-7, 5-9	21.20008	4-63, 4-67
21.10612	5-13	21.12176	5-19	21.20022	4-41
21.10613	4-74	21.12181	4-59, 4-61	21.20025	5-13, 5-17
21.10622	4-63, 4-65	21.12182	4-59	21.20026	5-13, 5-17
21.10623	4-63, 4-65	21.12185	4-61	21.20027	5-13
21.10627	4-63, 4-65	21.12188	5-19	21.20028	5-15, 6-3
21.10630	4-63, 4-67	21.12190	3-32, 3-33, 3-34,	21.20030	5-13, 5-17
21.10633	4-63	3-35, 3-50, 3-51, 3-68, 3-69, 3-70,		21.20033	4-39
21.10635	4-63, 4-67, 4-69	3-71, 4-9		21.20034	4-39
21.10637	2-11	21.12191	1-11, 3-36, 3-37,	21.20048	4-41
21.10645	4-63, 4-67, 4-69	3-52, 3-64, 3-65, 3-68, 3-69, 3-70,		21.20049	4-41
21.10646	4-63, 4-67, 4-69	3-71, 4-9, 4-51, 6-5, 6-13		21.20051	4-41
21.10647	5-19	21.12196	4-67, 4-71, 4-73	21.20052	4-39
21.10648	4-51	21.12197	4-67	21.20061	4-41
21.10650	4-63, 4-67	21.12203	3-72, 3-73, 3-74,	21.20062	2-11
21.10660	4-63	3-75, 3-77		21.20063	2-11
21.10670	4-55	21.12223	3-24, 3-25, 4-5, 4-7	21.20068	4-23, 4-25
21.10671	4-55	21.12229	3-25	21.20070	4-41
21.10672	4-55	21.12255	4-9	21.20071	2-11
21.10678	4-37	21.12259	4-59	21.20072	2-11
21.10679	4-55	21.12263	3-12	21.20120	4-51
21.10685	5-19	21.12271	4-59	21.20121	1-10
21.10686	5-19	21.12294	5-7	21.20125	4-51
21.10687	5-19	21.12295	2-7, 4-51	21.20126	7-15
21.10688	5-19	21.12308	4-39, 7-7	21.20127	7-15
21.10689	4-63, 4-67	21.12308,21.12309-21.12314		21.20129	4-51
21.10694	2-9	4-39		21.20131	4-51
21.10695	2-9	21.12309-21.12314	4-39	21.20132	4-53
21.10696	2-11	21.12315	4-39	21.20142	7-13
21.10699	4-74	21.12326	4-59	21.20143	7-13
21.10700	4-55	21.12327	3-21	21.20144	7-11
21.10701	2-11	21.12370	5-13, 5-17	21.20145	7-9, 7-11
21.10707	4-65	21.12395	5-23	21.20146	7-11
21.10711	4-63, 4-65	21.12400	4-67	21.20158	4-43
21.10715	4-65	21.12421	7-7	21.20160	4-51
21.10716	4-65	21.12422	7-6, 7-7, 7-8, 7-9	21.20163	4-45
21.10717	4-65	21.12429	3-61, 4-55	21.20163R	4-45
21.10731	4-65	21.12433	3-19	21.20164	4-45
21.10732	4-65	21.12450	4-37	21.20164R	4-45

PART NO.	PAGE	PART NO.	PAGE	PART NO.	PAGE
21.20165	5-11, 5-15	21.20385	4-67	21.20652	4-5
21.20166	5-13	21.20386	4-71	21.20653	4-5
21.20174	2-5, 2-9	21.20392	4-41, 4-51	21.20654	4-5
21.20175	2-5, 2-9	21.20393	5-13, 5-17, 6-3	21.20656	4-71, 4-73
21.20176	2-3, 2-7	21.20394	6-3	21.20663	3-22
21.20251	3-70, 3-71	21.20395	5-19	21.20664	3-22, 3-24
21.20265	6-16, 8-1	21.20416	8-2	21.20665	2-3, 2-7
21.20266	6-16	21.20419	4-41	21.20667	2-3
21.20267	6-16	21.20420	4-39	21.20668	2-7
21.20270	4-41, 6-16	21.20423	4-27	21.20669	2-3
21.20271	6-16	21.20424	4-27	21.20670	2-7
21.20283	6-16	21.20425	4-27	21.20679	4-43
21.20284	3-59	21.20426	4-9	21.20680	4-43
21.20311	4-19	21.20429	4-51	21.20693	3-22
21.20320	4-51	21.20451	4-71	21.20694	7-5
21.20321	4-51	21.20461	4-71, 4-73	21.20698	4-55
21.20322	3-43, 3-57	21.20462	4-71, 4-73	21.20699	4-55
21.20326	3-19	21.20468	4-71	21.20700	3-25, 3-26
21.20327	8-2	21.20470	5-17	21.20703	4-9
21.20328	3-19	21.20471	4-55	21.20704	4-9
21.20329	3-19	21.20472	4-61	21.20705	5-19
21.20330	5-23	21.20480	4-61	21.20706	5-13, 5-17, 6-15
21.20331	5-23	21.20481	4-61	21.20722	5-19
21.20332	5-9, 5-23	21.20482	4-21	21.20723	5-19
21.20333	5-23	21.20483	4-21	21.20734	4-67, 4-69
21.20334	5-23	21.20485	4-71	21.20735	4-37
21.20335	5-23	21.20504	4-65	21.20737	4-37
21.20336	5-23	21.20505	4-31	21.20739	4-37
21.20337	5-23	21.20508	4-71, 4-73	21.20742	4-37
21.20338	5-23	21.20513	4-19	21.20756	4-37
21.20341	5-11, 5-15, 5-19, 5-23	21.20514	4-19	21.20757	4-37
21.20344	5-19	21.20530	6-13	21.20759	4-37
21.20345	5-19, 5-23	21.20534	5-5	21.20760	4-37
21.20346	5-11, 5-15	21.20551	4-45	21.20765	5-13, 5-17
21.20347	4-71, 4-73	21.20551R	4-45	21.20766	2-9
21.20348	5-11, 5-15, 5-19, 5-23	21.20552	4-45	21.20777	6-3
21.20349	5-19	21.20552R	4-45	21.20778	6-3
21.20350	5-11, 5-15, 5-19, 8-1	21.20595	4-39	21.20779	6-3
21.20351	5-15	21.20596	4-39	21.20780	6-3
21.20352	5-15	21.20599	4-59	21.20781	3-33, 3-37, 3-43
21.20353	5-15	21.20621	4-60, 4-61	21.20783	4-67
21.20355	6-16	21.20622	2-3	21.20785	5-21
21.20356	5-19, 5-23	21.20623	2-7	21.20786	5-21
21.20357	5-3, 5-7	21.20625	2-5	21.20789	5-21
21.20359	4-39	21.20626	2-7	21.20790	4-67
21.20360	4-41	21.20627	4-69, 5-21	21.20791	3-27, 3-61
21.20361	4-39	21.20629	4-67	21.20792	3-27, 3-61
21.20362	4-39	21.20632	5-19	21.20793	3-61
21.20378	4-39	21.20633	5-19	21.20794	3-61, 3-81
21.20379	4-27	21.20638	4-67	21.20795	7-3
21.20380	5-5	21.20643	4-37	21.20796	7-3
		21.20646	2-5, 2-9	21.20797	7-5
		21.20647	2-5, 2-9	21.20798	7-5
		21.20651	4-5	21.20799	4-9

PART NO.	PAGE	PART NO.	PAGE	PART NO.	PAGE
21.20801	3-61	21.20881	4-61	21.20995	3-33, 3-37, 3-39,
21.20802	3-61	21.20889	4-61	3-41, 3-45, 3-47, 3-53, 3-55, 3-63,	
21.20803	4-71, 4-73	21.20890	4-61	3-65, 3-71, 3-79	
21.20804	3-61	21.20891	4-61	21.20996	3-33, 3-37, 3-39
21.20806	1-11	21.20892	4-71	21.20998	3-37, 3-39, 3-41,
21.20807	1-11	21.20906	4-71	3-45, 3-47, 3-53, 4-7	
21.20808	1-11	21.20909	4-71	21.20999	3-33, 3-37, 3-41
21.20810	4-27	21.20914	4-55	21.21000	3-33, 3-37, 3-39
21.20811	4-45	21.20915	4-9	21.21001	3-33, 3-37, 3-39,
21.20811R	4-45	21.20917	4-55	3-43, 3-47	
21.20812	4-45	21.20918	4-71	21.21002	3-33, 3-37, 3-39,
21.20812R	4-45	21.20925	6-13	3-41, 3-45, 3-47, 4-5	
21.20813	4-45	21.20926	6-13	21.21003	3-37, 3-39, 3-59
21.20813R	4-45	21.20927	6-13	21.21005	8-1
21.20814	4-45	21.20928	6-13	21.21033	8-1
21.20814R	4-45	21.20929	6-13	21.21053	6-16
21.20816	4-59	21.20930	6-13	21.21068	3-33, 3-37, 3-39,
21.20817	3-19	21.20931	6-13	3-41, 3-45, 3-47, 3-57, 3-59, 4-3, 4-5	
21.20820	4-37	21.20932	6-13	21.21069	3-33, 3-37, 3-39,
21.20824	4-43	21.20941	3-33, 3-37, 3-43	3-41, 3-45, 3-47	
21.20825	4-43	21.20943	5-7, 5-9	21.21070	3-59
21.20834	4-43	21.20947	5-9	21.21071	3-41, 3-59
21.20835	4-3	21.20948	5-9	21.21072	3-39, 3-41, 3-45,
21.20836	4-35, 5-23	21.20949	5-9	3-47, 3-59	
21.20837	4-71, 4-73	21.20952	4-55, 4-61	21.21073	3-39, 3-41, 3-45,
21.20838	4-71, 4-73	21.20953	4-43	3-47, 3-59	
21.20839	5-23	21.20954	4-43	21.21074	3-39, 3-41, 3-45,
21.20840	5-23	21.20958	4-35	3-47, 3-59	
21.20841	5-23	21.20959	4-35	21.21075	3-39, 3-41, 3-45,
21.20842	5-23	21.20964	4-71	3-47, 3-59	
21.20843	5-23	21.20965	4-71, 4-73	21.21076	3-39, 3-41, 3-45,
21.20844	5-23	21.20966	3-40, 3-42	3-47, 3-59	
21.20845	5-23	21.20967	4-41	21.21077	3-33, 3-37, 3-39,
21.20846	3-26, 3-41	21.20968	4-41	3-41, 3-47, 4-3	
21.20847	5-23	21.20969	8-2	21.21078	3-33, 3-37
21.20848	4-61	21.20970	4-9	21.21079	3-37, 3-39, 3-41,
21.20849	4-61	21.20971	4-9	3-45, 3-47	
21.20850	4-61	21.20972	4-9	21.21080	4-7
21.20851	4-61	21.20973	4-55	21.21081	3-53, 3-55, 3-65
21.20852	4-59, 4-61	21.20974	3-9, 3-55	21.21083	3-37, 3-39, 3-41,
21.20853	4-61	21.20975	3-9, 3-55	3-45, 3-47, 3-53, 4-7	
21.20854	4-61	21.20982	4-41	21.21084	3-37, 3-39, 3-41,
21.20856	2-11	21.20985	4-37	3-45, 3-47, 3-53, 3-55, 3-65, 4-7	
21.20857	2-11	21.20986	8-2	21.21087	7-11
21.20858	4-43	21.20989	5-13, 5-17	21.21088	7-11
21.20859	1-10	21.20991	3-55, 3-63, 3-65	21.21089	7-11
21.20860	1-8	21.20992	3-33, 3-37, 3-39,	21.21090	7-11
21.20871	2-7	3-43, 3-45, 3-47, 3-63, 3-65		21.21091	4-67
21.20872	5-23	21.20993	3-33, 3-37, 3-39,	21.21093	5-11, 5-15
21.20874	4-37	3-43, 3-63		21.21094	4-55
21.20876	4-61	21.20994	3-33, 3-37, 3-39,	21.21097	6-11
21.20877	4-61	3-41, 3-45, 3-47, 3-53, 3-55, 3-63,		21.21099	4-43
21.20878	4-61	3-65, 3-71, 3-79		21.21100	3-75
21.20879	4-61			21.21101	4-71

INDEX, NUMERICAL

PART NO.	PAGE	PART NO.	PAGE	PART NO.	PAGE
21.21102	4-71	21.21168	7-5	21.21284	3-75
21.21103	5-17	21.21169	2-5	21.21285	3-75
21.21104	5-23	21.21170	2-7	21.21290	4-67
21.21105	5-7, 5-9	21.21171	3-19	21.21291	4-67
21.21106	5-7	21.21172	5-3	21.21293	4-43
21.21107	5-9	21.21173	5-21, 5-23	21.21294	4-41
21.21108	5-11, 5-15	21.21174	4-47	21.21295	4-39
21.21108R	5-11, 5-15	21.21175	2-5, 2-9, 4-9, 4-55	21.21296	4-39, 4-69
21.21109	4-61	21.21176	6-3	21.21300.5	5-21
21.21110	4-61	21.21177	6-3	21.21301.5	5-21
21.21111	4-61	21.21178	6-3	21.21302.5	5-21
21.21112	4-61	21.21179	6-3	21.21315	3-3, 3-51, 3-53
21.21113	4-61	21.21185	4-35	21.21316	3-51, 3-53
21.21114	4-61	21.21186	2-3, 2-9	21.21325	6-3
21.21115	4-61	21.21187	2-3, 2-7, 2-9, 4-39	21.21326	6-3
21.21116	3-11	21.21193	4-41	21.21327	4-37
21.21117	3-11	21.21196	4-55	21.21329	4-37
21.21118	3-11	21.21197	4-43	21.21330	4-37
21.21119	3-11	21.21198	4-43	21.21332	4-9
21.21120	3-11	21.21199	6-1	21.21352	4-37
21.21121	3-11	21.21200	4-35	21.21368	4-43
21.21122	4-47	21.21201	8-1	21.21387	6-3
21.21123	4-47	21.21202	8-1	21.21388	6-3
21.21124	4-47	21.21203	2-11, 3-71	21.21389	6-3
21.21125	4-47	21.21204	5-21, 5-23	21.21393	3-59
21.21126	4-47	21.21206	6-3	21.21394	4-41
21.21128	4-5	21.21207	6-3	21.21396	4-43
21.21130	2-5, 2-9	21.21208	6-3	21.21397	4-43
21.21131	1-9, 4-27	21.21215	3-73	21.21398	4-41
21.21132	4-9	21.21216	3-73	21.21403	4-39
21.21136	5-11, 5-15	21.21217	3-73	21.21404	4-39
21.21137	5-11, 5-15	21.21221	4-35	21.21405	4-39
21.21138	5-11, 5-15	21.21225	1-8, 4-27	21.21406	4-39
21.21140	4-49	21.21226	4-43	21.21410	4-39
21.21141	4-49	21.21227	3-59, 4-5	21.21411	3-67
21.21145	5-23	21.21228	3-37, 4-5	21.21415	4-41
21.21146	5-23	21.21229	4-5	21.21416	4-43
21.21147	5-23	21.21230	4-37	21.21419	4-43
21.21148	5-23	21.21237	4-37	21.21420	4-43
21.21149	6-3	21.21241	6-3	21.21422	4-67
21.21150	5-5, 5-9	21.21245	4-43	21.21445	4-45
21.21151	4-71	21.21250	4-37	21.21445R	4-45
21.21152	4-71	21.21261	1-9	21.21446	4-45
21.21153	4-67, 4-71	21.21262	5-23	21.21446R	4-45
21.21154	4-71	21.21263	3-73	21.21450	4-74
21.21157	4-71	21.21264	3-50, 3-51	21.21451	3-15
21.21158	5-9	21.21267	4-41	21.21452	3-15
21.21159	5-11, 5-15, 6-3	21.21270	4-37	21.21453	3-15, 3-17
21.21160	5-11, 5-15, 6-3	21.21272	4-37	21.21454	3-15
21.21161	6-3	21.21275	4-27	21.21455	3-13
21.21164	7-5	21.21276	4-27	21.21459	7-7
21.21165	7-5	21.21277	4-27	21.21460	7-7, 7-9
21.21166	7-5	21.21281	3-13	21.21475	4-37
21.21167	7-5	21.21283	3-75	21.21479	4-29

PART NO.	PAGE	PART NO.	PAGE	PART NO.	PAGE
21.21481	4-27	21.21600	3-39, 3-41, 3-45,	21.21696	6-13
21.21485	4-23	3-47		21.21698	4-47
21.21486	4-27	21.21602	4-49	21.21703	3-9, 3-55
21.21487	4-27	21.21603	3-39, 3-43, 3-47	21.21704	3-9, 3-55
21.21488	4-19, 4-27	21.21604	3-39, 3-43, 3-47	21.21708	6-13
21.21489	4-27	21.21605	3-39, 3-43	21.21717	5-9
21.21490	4-29	21.21606	3-43	21.21718	5-9
21.21491	4-29	21.21607	3-43, 3-47	21.21719	5-9
21.21492	4-23, 4-25	21.21623	4-21	21.21720	5-5
21.21496	4-15	21.21624	4-15	21.21725	6-13
21.21497	4-23, 4-25	21.21626	4-49	21.21726	3-39, 3-41, 3-45,
21.21498	4-23	21.21627	3-39, 3-41, 3-45,	3-47, 3-79	
21.21499	4-23	3-47, 3-59		21.21727	3-13
21.21500	4-23	21.21628	3-39, 3-41, 3-45,	21.21728	3-22, 3-25
21.21501	4-29	3-47, 3-59, 4-5		21.21729	4-35
21.21503	4-27	21.21631	3-39, 3-41, 3-57	21.21739	4-43
21.21504	7-5	21.21632	4-5	21.21754	4-23
21.21512	4-39	21.21642	2-11, 4-37	21.21765	6-13
21.21513	4-37	21.21643	2-11	21.2178	4-9
21.21526	6-3	21.21644	2-11	21.21806	4-29
21.21527	6-3	21.21645	2-11	21.21807	4-29
21.21531	4-45	21.21646	2-11	21.21809	7-11
21.21531R	4-45	21.21648	2-11	21.21811	2-5, 6-15
21.21532	4-45	21.21650	2-11	21.21824	3-62, 3-63
21.21532R	4-45	21.21651	4-51	21.21825	3-72, 3-73, 3-74,
21.21533	4-41	21.21652	3-81, 4-51	3-75	
21.21540	4-5	21.21653	2-11, 3-81	21.21827	8-2
21.21542	2-9	21.21654	2-11	21.21828	5-5
21.21543	2-11	21.21655	2-11	21.21829	5-9
21.21563	2-5	21.21656	2-11	21.21830	5-5
21.21564	4-37, 4-41	21.21657	2-11	21.21831	5-9
21.2157	3-45	21.21658	2-11	21.21832	5-9
21.21570	3-39, 3-47	21.21659	2-11, 4-59	21.21836	4-9, 5-7
21.21571	3-39, 3-41	21.21662	6-11	21.21842	4-21
21.21572	3-11	21.21663	6-15	21.21843	5-9
21.21573	3-11	21.21668	4-49	21.21855	4-41
21.21574	3-11	21.21669	4-49	21.21856	4-9
21.21575	3-11	21.21670	4-49	21.21860	4-59, 4-61
21.21576	3-11	21.21671	4-49	21.21861	6-13
21.21577	3-11	21.21679	2-5, 8-1	21.21864	4-41
21.21578	3-11	21.21680	2-7, 8-1	21.21883	3-17
21.21582	4-47	21.21681	2-3, 8-1	21.21884	4-15, 4-65
21.21583	4-47	21.21682	2-7, 8-1	21.21891	5-19
21.21586	4-45	21.21683	4-47	21.21892	6-11
21.21586R	4-45	21.21684	4-47	21.21893	5-21
21.21587	4-45	21.21685	4-47	21.21894	5-11, 5-15, 5-19,
21.21587R	4-45	21.21686	7-11	5-23	
21.21589	3-11	21.21687	4-49	21.21899	4-67
21.21592	5-13, 5-17	21.21688	4-49	21.21905	3-61
21.21593	5-13, 5-17	21.21689	4-23	21.21906	4-41
21.21596	3-81	21.21691	4-23	21.21907	3-39, 3-45, 3-47,
21.21599	3-39, 3-41, 3-45,	21.21692	7-11	3-57, 4-37	
3-47, 3-59		21.21694	6-13	21.21912	4-35
		21.21695	6-13	21.21913	2-11

PART NO.	PAGE	PART NO.	PAGE	PART NO.	PAGE
21.21922	4-59	21.22073	4-13	21.22236	8-1
21.21923	4-65, 6-15	21.22076	3-15	21.22259	4-61
21.21924	4-65	21.22077	3-15	21.2226	4-15
21.21925	2-11, 6-4	21.22078	4-13	21.22260	3-12
21.21926	2-11, 6-4	21.22080	4-51	21.22263	4-59, 4-61
21.21930	1-11	21.22091	4-51	21.22264	4-61
21.21940	3-41	21.22092	1-11, 6-5	21.22266	4-53
21.21943	7-15	21.22093	6-5	21.22275	3-78
21.21945	1-11	21.22097	3-22	21.22276	3-77
21.21949	4-17	21.22102	4-29	21.22277	3-78
21.21950	4-17	21.22109	4-27	21.22278	3-77
21.21951	4-17	21.22131	4-3	21.22281	4-49
21.21953	4-5	21.22134	4-17	21.22282	4-49
21.21954	4-11	21.22135	4-17	21.22283	4-49
21.21956	4-11	21.22136	6-7, 6-9, 6-13, 6-15	21.22304	3-78
21.21961	2-11	21.22139	4-17	21.22305	3-78
21.21963	4-11	21.22152	4-17	21.22306	3-77, 3-78
21.21964	4-11	21.22154	4-17	21.22307	3-77
21.21970	4-11	21.22155	4-17	21.22308	3-77
21.21971	4-13	21.22156	4-17	21.22309	3-77
21.21972	4-11	21.22157	4-17	21.22310	3-77
21.21973	4-11	21.22158	4-17	21.22311	3-77
21.21974	4-11	21.22166	3-53	21.22312	3-77
21.21975	4-13	21.22168	3-53	21.22313	4-5
21.21976	4-27	21.22169	3-52, 3-53	21.22314	4-5
21.21977	4-27	21.22170	3-52, 3-53	21.22315	4-5
21.21979	4-41	21.22189	6-13	21.22316	4-5
21.21980	4-39	21.22190	4-17	21.22318	3-78
21.21988	5-19	21.22194	6-3	21.22319	2-3, 2-7
21.21989	5-19	21.22197	3-53, 3-55	21.22320	2-3
21.21990	5-5, 5-9	21.22198	3-53, 3-55	21.22321	2-3
21.21991	5-5, 5-7	21.22200	6-13	21.22322	3-77
21.21992	5-5, 5-7, 5-9	21.22201	6-5	21.22323	2-3
21.22009	4-17	21.22202	6-5	21.22324	2-7
21.22011	4-11	21.22203	6-5	21.22330	4-9
21.22014	5-13, 5-17, 8-2	21.22204	6-3	21.22342	4-47
21.22018	4-39	21.22205	6-3	21.22346	5-7
21.22019	4-39	21.22206	4-49	21.22348	4-9
21.22020	4-71	21.22207	4-49	21.22349	4-9, 7-11
21.22030	4-17	21.22210	5-11, 5-15	21.22350	4-35, 5-19
21.22033	4-11	21.22211	5-11, 5-15	21.22351	4-35, 5-23
21.22034	4-11	21.22215	4-53	21.22352	4-35, 5-23
21.22035	4-11	21.22217	2-5, 2-9	21.22354	4-39
21.22036	4-13	21.22218	4-39	21.22355	4-39
21.22037	4-45, 4-47	21.22219	4-37	21.22357	6-5
21.22038	2-11	21.22220	4-67	21.22358	6-5
21.22040	2-11, 4-67, 4-71, 4-73	21.22221	4-67	21.22359	6-5
21.22042	4-59, 4-61	21.22227	4-37	21.22360	6-5
21.22064	4-39	21.22228	4-51	21.22361	6-5
21.22065	4-13	21.22229	4-5	21.22362	6-5
21.22066	4-43	21.22230	4-5	21.22363	6-5
21.22069	4-71	21.22231	4-5	21.22364	6-5
21.22071	7-3	21.22232	4-5	21.22365	6-5
		21.22235	2-11, 8-1	21.22366	6-5

21.22367	6-5	21.22449	4-47	21.22515	4-55
21.22368	6-5	21.22450	4-47	21.22517	5-11, 5-15
21.22369	6-5	21.22451	4-49	21.22518	5-11, 5-15
21.22370	6-5	21.22452	4-47	21.22519	5-11, 5-15
21.22371	6-5	21.22453	4-47	21.22520	5-11, 5-15
21.22372	6-5	21.22454	4-49	21.22530	5-11, 5-15
21.22373	6-5	21.22455	4-49	21.22554	5-5
21.22374	6-5	21.22456	4-49	21.22555	5-19
21.22375	6-5	21.22457	4-49	21.22556	6-3
21.22376	6-5	21.22457.188	4-49	21.22557	6-3
21.22377	6-5	21.22457.189	4-49	21.22558	6-3
21.22378	6-5	21.22457.190	4-49	21.22559	6-3
21.22379	6-5	21.22457.191	4-49	21.22560	6-3
21.22384	4-45	21.22457.192	4-49	21.22561	6-3
21.22384R	4-45	21.22458	4-49	21.22562	6-11
21.22385	4-45	21.22458.168	4-49	21.22563	6-11
21.22385R	4-45	21.22458.169	4-49	21.22564	6-11
21.22388	4-41	21.22458.170	4-49	21.22565	6-11
21.22393	4-47	21.22458.171	4-49	21.22566	6-11
21.22395	4-49	21.22458.172	4-49	21.22567	6-11
21.22401	4-29	21.22459	4-49	21.22568	6-11
21.22402	4-27	21.22460	4-49	21.22569	6-11
21.22403	5-9	21.22461	4-49	21.22570	6-13
21.22404	4-49	21.22462	4-49	21.22571	6-13
21.22405	4-9	21.22463	4-49	21.22572	6-13
21.22406	4-19	21.22464	4-49	21.22573	6-13
21.22407	4-19	21.22465	4-49	21.22574	6-13
21.22408	5-13	21.22466	4-49	21.22575	6-13
21.22409	4-9	21.22467	4-49	21.22576	6-13
21.22410	4-61	21.22468	4-49	21.22577	6-13
21.22415	5-19	21.22471	4-49	21.22578	4-37
21.22421	4-41	21.22472	4-47	21.22581	4-43
21.22423	5-17	21.22473	4-47	21.22582	4-43
21.22424	4-47	21.22474	4-55, 5-17	21.22587	4-43
21.22425	4-47	21.22478	4-65	21.22588	4-43
21.22426	4-47	21.22479	4-65	21.22589	3-24, 3-57
21.22427	4-47	21.22486	4-65	21.22594	5-11, 5-15
21.22428	4-47	21.22490	5-19	21.22595	4-43
21.22429	4-47	21.22491	1-11	21.22596	4-43
21.22430	4-47	21.22492	1-11	21.22597	4-51
21.22431	4-47	21.22493	1-11	21.22599	4-55
21.22432	4-47	21.22494	1-9	21.22600	4-55
21.22433	4-47	21.22497	5-19	21.22601	1-9
21.22434	4-47	21.22498	5-19	21.22602	6-15
21.22435	4-47, 4-49	21.22499	5-19	21.22603	4-15
21.22438	4-47	21.22500	5-19	21.22604	4-15
21.22439	4-47	21.22503	1-10, 4-55	21.22605.5	3-19
21.22440	4-47	21.22504	6-5	21.22606	4-15
21.22441	4-47	21.22507	4-42	21.22607	4-15
21.22442	4-47	21.22508	4-42	21.22608	4-15
21.22443	4-47	21.22509	4-42	21.22609	4-15
21.22444	4-47	21.22510	4-7	21.22609.5	3-19
21.22445	4-47	21.22511	4-7	21.22610.5	3-19
21.22446	4-47	21.22512	4-7	21.22611.5	4-15
21.22447	4-47	21.22513	4-7	21.22612	4-15
21.22448	4-47	21.22514	4-55	21.22613	4-15

INDEX, NUMERICAL

21.22614	4-15	21.22687	4-15	21.22769	4-23
21.22615	4-29	21.22689	3-7	21.22770	4-23
21.22616	1-10	21.22690	3-7	21.22771	4-29
21.22618	4-15	21.22691	3-7	21.22774	4-59, 4-61
21.22619	4-15	21.22694	3-7	21.22775	3-16
21.22620	4-15	21.22698	5-11, 6-3	21.22801	4-37
21.22621	1-11	21.22699	4-37, 6-11	21.22831	4-39
21.22622	1-11	21.22700	4-37	21.22834	6-15
21.22625	4-41	21.22701	6-11	21.22836	6-15
21.22627	4-42	21.22702	4-37	21.22837	6-15
21.22628	4-42	21.22703	6-11	21.22838	6-15
21.22629	4-42	21.22704	4-37	21.22839	4-41
21.22630	4-42	21.22711	5-5	21.22882	4-41
21.22631	4-42	21.22713	2-11	21.22893	4-13
21.22632	4-42	21.22715	2-11	21.22894	4-13
21.22633	4-42	21.22719	4-45	21.22895	4-13
21.22634	4-42	21.22719R	4-45	21.22903	6-5
21.22635	4-42	21.22720	4-45	21.22906	5-23
21.22638	8-1	21.22720R	4-45	21.22907	2-3, 2-7, 4-51
21.22639	1-9	21.22729	4-43	21.22911	3-19
21.22640	4-11	21.22730	6-15	21.22912	3-19
21.22641	4-11	21.22731	6-13	21.22914	3-19
21.22644	4-19	21.22732	5-23	21.22915	3-19
21.22645	4-19	21.22733	5-23	21.22916	3-19
21.22646	4-19	21.22735	5-3, 5-7	21.22918	3-43, 3-81
21.22647	4-19	21.22736	5-3, 5-7	21.22942	5-3, 5-7
21.22648	4-19	21.22738	2-11, 4-37, 4-41,	21.22943	5-3, 5-7
21.22649	4-19	4-51		21.22944	5-5
21.22650	4-19	21.22739	4-59, 4-61, 6-15	21.22945	5-9
21.22651	4-19	21.22741	3-53, 3-71	21.22955	5-21
21.22652	4-19	21.22742	3-53, 3-71	21.22960	4-51
21.22653	4-19	21.22743	4-9	21.22961	4-51
21.22655	4-19	21.22744	4-9	21.22963	4-51
21.22656	4-19	21.22746	4-23	21.22964	4-51
21.22657	4-19	21.22747	4-23	21.22965	2-11
21.22658	4-19	21.22748	4-23	21.22966	3-17
21.22659	4-19	21.22749	4-23	21.22967	3-17
21.22661	4-19	21.22750	4-23	21.22988	4-55
21.22663	4-19	21.22751	4-23	21.22997	3-24
21.22664	4-19	21.22752	4-23	21.22998	4-5
21.22665	4-19	21.22753	4-23	21.23111	4-35
21.22666	4-19	21.22754	4-23, 4-25	21.23114	4-55
21.22667	4-19	21.22755	4-23	21.23115	4-55
21.22668	4-19	21.22756	4-23	21.23118	4-43
21.22669	4-19	21.22757	4-23	21.23121	4-35
21.22670	4-19	21.22758	4-23	21.23124	4-35
21.22671	4-19	21.22759	4-23	21.23125	4-17
21.22672	4-19	21.22760	4-23	21.23126	4-17
21.22673	4-19	21.22761	4-23	21.23135	3-17
21.22674	4-19	21.22762	4-23	21.23136	2-9
21.22681	4-65	21.22763	4-23	21.23137	2-5, 2-9
21.22682	7-15	21.22764	4-23	21.23141	7-11
21.22683	7-15	21.22765	4-23	21.23142	4-51
21.22684	7-15	21.22766	4-23	21.23143	4-51
21.22685	3-19	21.22767	4-23	21.23144	4-51
21.22686	4-15	21.22768	4-23	21.23145	4-51

21.23146	4-51	21.23381	4-55	21.23496	4-25
21.23147	4-51	21.23382	4-55	21.23497	4-25
21.23148	7-5	21.23384	3-61	21.23498	4-25
21.23150	4-55	21.23388	4-61	21.23499	4-25
21.23151	6-13	21.23396	4-71	21.23500	4-25
21.23152	7-7	21.23398	5-23	21.23501	4-25
21.23153	5-11, 5-15, 7-11	21.23400	4-43	21.23502	4-25
21.23154	4-43	21.23401	4-43	21.23504	5-3, 5-7
21.23156	4-39	21.23402	4-43	21.23515.5	4-71
21.23157	4-39	21.23411	4-74	21.23516	4-71
21.23158	4-39	21.23412	4-67	21.23517	4-71
21.23159	4-39	21.23413	4-67, 4-69	21.23521	4-19
21.23160	4-39	21.23416	4-67, 4-69	21.23527	5-19
21.23161	4-39	21.23417	5-13, 5-17	21.23528	4-13
21.23164	6-5	21.23421	4-67, 4-69	21.23538	4-71, 4-73
21.23165	4-59	21.23426	4-29	21.23540	4-71
21.23166	4-59	21.23433	7-9	21.23547	4-7
21.23167	4-59	21.23434	7-9	21.23548	4-29
21.23168	4-59	21.23436	4-45	21.23594	4-69
21.23173	4-29	21.23436R	4-45	21.23605.5	4-13
21.23175	3-53	21.23437	4-45	21.23608	4-41
21.23176	3-71	21.23437R	4-45	21.23609	4-41
21.23177	3-53, 3-71	21.23438	4-45	21.23611	4-69, 5-19
21.23180	4-39	21.23438R	4-45	21.23617	4-69
21.23181	4-39	21.23439	4-45	21.23618	4-69
21.23182	4-39	21.23439R	4-45	21.23619	4-69
21.23183	4-39	21.23445	4-71	21.23621	4-69
21.23184	3-79	21.23447	4-71	21.23622	4-69
21.23185	3-75	21.23449	4-71	21.23646	4-69
21.23186	4-13	21.23450	4-71	21.23649	3-24, 3-39, 3-45
21.23191	4-39	21.23451	1-8, 1-11	21.23661	4-47
21.23192	4-39	21.23453	6-5	21.23661R	4-47
21.23193	2-3, 2-7	21.23455	6-5	21.23674	4-41
21.23203	4-27	21.23456	7-9	21.23675	4-41
21.23204	4-27	21.23459	2-11	21.23676	4-41
21.23205	3-67	21.23460	3-12	21.23677	3-38, 3-39, 3-56,
21.23206	3-67	21.23461	3-12	3-57, 3-58, 3-59	
21.23207	4-41	21.23462	6-3	21.23678	3-44, 3-45, 3-46,
21.23212	4-27	21.23463	6-3	3-47	
21.23213	4-27	21.23465	3-9	21.2368	3-45
21.23214	4-59	21.23466	3-9	21.23680	3-39, 3-47
21.23215	4-59	21.23467	3-9	21.23682	3-39, 3-45, 3-47
21.23236	3-9, 3-55	21.23468	3-9	21.23683	3-39, 3-45, 3-47
21.23238	3-9, 3-55	21.23469	3-77	21.23684	3-39, 3-45
21.23302	4-39, 8-2	21.23470	3-77	21.23686	3-77
21.23303	4-39, 8-2	21.23471	3-77	21.23687	3-77
21.23304	4-41	21.23472	3-77	21.23688	3-77
21.23308	4-13	21.23473	3-77	21.23689	3-77
21.23311	4-61	21.23474	3-77	21.23690	3-77
21.23326	5-13, 5-17	21.23475	3-77	21.23691	3-77
21.23327	5-13, 5-17	21.23476	3-77	21.23692	3-77
21.23328	6-15	21.23477	4-21	21.23693	3-77
21.23362	3-79	21.23478	4-67, 4-69	21.23696	4-35
21.23367	4-5	21.23480	4-67	21.23697	4-35
21.23378	5-13, 5-17	21.23481	4-67	21.23726	3-39, 3-45, 3-47
21.23380	5-23	21.23495	4-55	21.23729	1-10

INDEX, NUMERICAL

21.23730	4-37	21.23943	3-23	21.24194	4-65
21.23734	6-7	21.23944	3-23	21.24195	4-29
21.23735	6-7, 6-9	21.23945	3-23	21.24215	4-11
21.23737	6-7	21.23946	3-23	21.24231.5	4-71
21.23738	6-7	21.23947	3-23	21.24232.5	4-71
21.23740	6-7	21.23948	3-23	21.24233.5	4-71
21.23741	6-7	21.23949	3-23	21.24246	4-23
21.23742	6-7	21.23952	4-11	21.24249	5-23
21.23745	4-51	21.23955	5-21	21.24253	4-53
21.23813	8-1	21.23956	5-21	21.24254	4-53
21.23842	4-25	21.23957	5-21	21.24260	4-51
21.23843	4-25	21.23966	4-59	21.24268	4-57
21.23844	4-25, 4-33	21.23967	5-3, 5-7	21.24269	4-57
21.23845	4-25	21.23972	4-56, 4-57	21.24272	7-5
21.23848	4-35	21.23973	4-47	21.24274	2-11
21.23849	4-35	21.23974	2-3	21.24275	2-11
21.23850	4-35	21.23975	2-7	21.24276	4-41
21.23851	4-35	21.24005	2-3, 2-9	21.24277	4-41
21.23852	4-35	21.24027	4-41	21.24288	4-39
21.23853	4-35	21.24063	4-47	21.24290	4-53
21.23854	4-35	21.24064	4-47	21.24296	5-23
21.23855	3-11	21.24065	4-47	21.24297	5-23
21.23867	4-43	21.24066	4-47	21.24313	4-73
21.23868	4-43	21.24067	4-47	21.24314	4-73
21.23869	1-11	21.24068	4-47	21.24330	4-73
21.23882	7-9	21.24069	4-47	21.24337	4-71, 4-73
21.23883	7-9	21.24069R	4-47	21.24340	4-73
21.23884	7-9	21.24070	1-6	21.2436	4-59
21.23885	7-9	21.24072	5-19, 5-23	21.24361	4-59
21.23886	7-9	21.24073	4-27	21.24362	4-59
21.23887	7-9	21.24074	4-27	21.24365	4-27, 4-59
21.23888	7-9	21.24075	4-27	21.24367	4-59
21.23889	7-9	21.24076	4-27	21.24369	4-57
21.23890	7-9	21.24077	1-6	21.24370	4-57
21.23891	7-9	21.24078	1-6	21.24371	4-11
21.23896	8-2	21.24080	1-6	21.24381	4-59
21.23912	4-55	21.24081	1-6	21.24396	4-43
21.23913	4-13	21.24094	4-56, 4-57	21.24397	4-47
21.23915	7-11	21.24100	4-65	21.24398	4-47
21.23917	4-67, 4-73	21.24101	4-65	21.24416	4-53
21.23921	4-67, 8-1	21.24102	4-56, 4-57	21.24421	2-3
21.23923	3-47	21.24105	5-3, 5-7	21.24422	2-7
21.23929	3-23	21.24129	3-19	21.24426	4-43
21.23930	3-23	21.24152	4-13, 4-29	21.24427	4-43
21.23931	3-23	21.24153	4-56, 4-57	21.24429	8-2
21.23932	3-23	21.24166	4-73, 5-21, 5-23	21.24430	3-79
21.23933	3-23	21.24170	4-56	21.24431	3-79
21.23934	3-23	21.24171	4-56	21.24486	4-42
21.23935	3-23	21.24173	4-56	21.24487	4-42
21.23936	3-23	21.24174	4-56	21.24489.5	4-71
21.23937	3-23	21.24176	4-56	21.24490.5	4-71
21.23938	3-23	21.24182	4-55	21.24491	3-79
21.23939	3-23	21.24183	4-55	21.24494	4-71, 4-73
21.23940	3-23	21.24184	4-55	21.24509	7-11
21.23941	3-23	21.24189	5-21, 5-23	21.24515	5-23
21.23942	3-23	21.24191	3-26	21.24527	5-23

21.24528	5-23	21.24687	3-65	21.25043	5-21
21.24532	4-73	21.24688	3-65	21.25044	3-61
21.24539	5-7	21.24689	3-65	21.25075	2-11, 6-15
21.24545	1-9, 3-65	21.24705.5	5-3, 5-7	21.25076	4-13, 4-51, 6-15
21.24546	3-64, 3-65	21.24706	4-63, 4-65	21.25169	8-1
21.24549	4-73	21.24707	4-65	21.25192	4-59
21.24563.5	5-23	21.24710	5-3, 5-7	21.25200	8-1
21.24565	7-25	21.24711	4-9, 4-55	21.25234	4-21
21.24566	7-24	21.24712	4-55	21.25236	8-1
21.24567	7-5	21.24714	4-55	21.25246	2-11, 6-8, 6-9
21.24568	5-15	21.24715	4-55	21.25248	6-11
21.24569	5-23	21.24716	4-55	21.25281	3-61
21.24571	4-73	21.24717	4-55	21.25289	8-1
21.24572	4-73	21.24718	4-55	21.25387.5	4-71
21.24576	5-23	21.24719	4-55	21.25430.5	4-71
21.24577	5-23	21.24720	7-22	21.25490	6-3
21.24580	4-35	21.24721	4-55	21.25504	5-23
21.24581.5	5-17	21.24722	4-55	21.25506	5-23
21.24582	7-3	21.24726	7-5	21.25518	6-7
21.24585	4-73	21.24740	5-23	21.25519	6-7
21.24586	5-23	21.24743	4-59	21.25520	6-7
21.24594	4-73	21.24744	4-59	21.25521	6-7
21.24596	5-3, 5-7	21.24745	4-59	21.25522	6-7
21.24601	5-11, 5-15	21.24748	8-1	21.25523	6-7
21.24601R	5-11, 5-15	21.24749	8-1	21.25524	6-7
21.24608	5-9	21.24754	4-9	21.25525	6-7
21.24610	5-9	21.24755	7-3	21.25526	6-7
21.24611	5-9	21.24758	4-41	21.25527	6-7
21.24620	5-7	21.24762	4-9	21.25529	6-7
21.24621	5-7	21.24798	2-11	21.25542	2-5
21.24622	5-9	21.24815	2-11	21.25547	5-23
21.24623	5-9	21.24819	2-11	21.25548	5-23
21.24629	5-9	21.24820	5-5, 5-7	21.28036	5-13, 5-17
21.24643	4-43	21.24822.5	2-5	21.28037	5-13, 5-17
21.24644	4-43	21.24823.5	2-11	21.30162	4-67
21.24645	4-43	21.24844	5-13, 5-17	21.30163	4-67
21.24646	4-43	21.24861.5	4-35	21.30164	4-67
21.24655	4-25	21.24865	4-73	21.30220	5-23
21.24656	4-25	21.24867	4-73	21.30224	7-5
21.24657	4-25	21.24879	5-19	21.30266	7-3
21.24658	4-25	21.24887	4-55	21.30313	7-3
21.24659	4-25	21.24904	4-19	21.30345	4-17
21.24660	4-25	21.24905	4-19	21.30481	4-56, 4-57
21.24661	4-25	21.24921	5-13, 5-17	21.30528	3-39, 3-45, 3-47
21.24662	4-29, 4-31	21.24922	5-23	21.30529	3-39, 3-45
21.24663	4-29	21.24924	2-11	21.30591.5	2-11
21.24665	4-13	21.24925	6-5	21.30592.5	2-11
21.24666	5-3, 5-7	21.24931	7-25	21.30597	4-67
21.24671	4-13	21.24937	4-23	21.30598	4-67
21.24672	3-55	21.24948	2-3, 2-7	21.30599	4-67
21.24673	7-23	21.24955	4-49	21.30910.5	4-15
21.24674	7-24	21.25014	3-61	21.31052	4-43
21.24679	3-55	21.25034	4-67	21.31341	4-23
21.24680	3-55	21.25035	5-3, 5-7	21.31537	4-13, 4-51, 6-15
21.24682	4-65	21.25036	5-3, 5-7	21.31538	4-13, 4-51, 6-15
21.24683	4-13	21.25042	5-23	21.31539	2-11, 6-15

INDEX, NUMERICAL

21.31540	2-11, 6-15	32.03962	6-7, 6-9, 6-13	32.61758	4-31
21.31598	5-23	32.03975	6-15	32.61759	4-31
21.31645	6-3	32.04144	4-7	32.61760	4-31
21.31684	6-16	32.04318	3-65	32.61761	4-31
21.31685	6-16	32.04368	3-65	32.61762	4-31
21.31686	6-16	32.04371	3-65	32.61763	4-31
21.31687	6-16	32.04372	3-65	32.61764	4-31
21.40380	4-73	32.04427	7-9	32.61765	4-31
21.40422	4-73	32.04428	7-9	32.61766	4-31
21.40569	4-73	32.04429	7-9	32.61767	4-31
21.40570	4-73	32.04430	7-9	32.61768	4-31
21.40571	4-73	32.04431	7-9	32.61769	4-31
21.41801	6-9	32.04432	7-9	32.61770	4-31
21.41802	6-9	32.04433	7-9	32.61771	4-31
21.41803	6-9	32.04434	7-9	32.61772	4-31
21.41804	6-7, 6-9	32.04436	7-9	32.61773	4-31
21.41806	6-9	32.04537	4-59	32.61775	4-31
21.41807	6-7, 6-9	32.04552	6-7	32.61776	4-31
21.41808	6-9	32.04553	6-7, 6-9	32.61777	4-31
21.41809	6-7, 6-9	32.04732	4-5	32.61778	4-33
21.41810	6-9	32.04828	7-13	32.61779	4-33
21.41811	6-9	32.60184	4-73	32.61780	4-33
21.41812	6-9	32.60427	4-21	32.61781	4-33
22.94160	4-63, 4-67	32.60429	4-23	32.61782	4-33
24.24418	4-53	32.60430	4-23	32.61783	4-33
32.00296	4-71	32.60582	4-3	32.61784	4-33
32.00347	5-9	32.60779	7-11	32.61785	4-33
32.00687	3-65, 3-79	32.60780	7-11	32.61786	4-33
32.00693	3-79	32.61449	7-11	32.61787	4-33
32.00708	3-65, 3-79	32.61450	7-11	32.61788	4-33
32.00710	3-53, 3-55, 3-65	32.61451	7-11	32.61789	4-33
32.00730	4-59	32.61452	7-11	32.61798	4-27
32.01233	3-65	32.61508	4-73	32.61799	4-27
32.01480	4-17	32.61509	4-27	32.61800	4-27
32.01482	3-65	32.61510	4-27	32.61815	4-21
32.01483	4-17	32.61511	4-27	32.61817	4-21
32.01484	3-65	32.61512	4-27	32.61824	4-21
32.01486	3-65	32.61514	4-27	32.61825	4-21
32.01487	3-13	32.61589	4-27	32.61826	4-21
32.01488	3-13	32.61659	4-33	32.61833	4-59
32.01491	3-65	32.61663	4-29	32.61900	5-5, 5-9
32.01495	3-15, 4-53	32.61743	4-31	333271B1.7	4-37
32.01496	3-15, 4-53	32.61744	4-31	814.6030	5-13, 5-17
32.02205	3-19	32.61745	4-31	832.10410	4-35
32.02292	3-19	32.61746	4-31	892.11008	4-23
32.02372	3-61	32.61747	4-31	892.11012	5-13, 5-17
32.02663	3-19	32.61748	4-31	895.11008	5-19
32.02664	3-19	32.61749	4-31, 4-33	895.11010	4-35
32.02912	4-5	32.61750	4-31	900361	3-19
32.03307	4-17	32.61751	4-27	900363	4-61
32.03593	7-11	32.61752	4-27, 4-31	900364	5-21
32.03730	7-11	32.61753	4-27	900366	4-61
32.03731	7-11	32.61754	4-31	900416	6-11
32.03732	7-11	32.61755	4-31	900491	4-51
32.03733	7-11	32.61756	4-31	900493	4-61
32.03958	6-7, 6-9	32.61757	4-31	900497	4-17

900498	4-17	907166	4-39	907438	4-17, 4-56, 4-57
900502	4-61	907176	6-3	907449	4-67
900503	3-77, 5-5, 5-9	907177	6-3	907451	4-56, 4-57
900504	3-77, 4-61, 5-17	907206	3-19	907453	4-13
900508	4-17	907207	3-19	907460	4-61
900512	4-51	907210	5-9, 5-19	907461	4-61
900514	4-37	907219	4-55	907463	2-11, 4-13
900527	4-13	907220	4-55	907464	2-11, 3-81, 4-13
900538	2-9	907221	4-55	907465	4-41, 4-56, 4-57,
900617	6-11	907234	3-67, 4-61	4-61	
901105	4-61, 5-13, 5-17	907264	5-23	907466	4-17
901292	5-23	907265	5-9	907470	4-51, 4-65
901763	2-3, 2-7, 4-39	907266	5-9	907471	4-65
902059	5-21	907270	3-67	907472	4-65
902364	5-17	907277	4-41	907486	4-17
902898	5-23	907279	5-11, 5-15	907489	4-11
902930	6-16	907284	4-61	907490	4-11
903159	5-21, 6-11	907285	4-61	907492	4-13
903162	4-37, 4-41, 6-11	907293	3-12, 7-11	907521	4-55
903312	4-17	907294	7-11	907526	4-15
903699	3-77	907316	4-9	907527	4-15
903708	4-41	907325	5-23	907529	5-23
903772	4-37, 6-11	907334	3-19	907530	2-11, 4-41, 4-51
903852	5-5	907338	4-17	907532	4-41
903854	4-17	907349	4-13, 4-59	907533	4-65
903880	4-65	907376	3-65, 4-56, 4-57	907539	6-3
903993	2-9	907379	4-17, 4-59	907542	5-13, 5-17
904193	5-7	907380	3-65	907544	6-3
904195	5-3	907384	4-61	907548	5-21
904419	4-13	907385	4-59	907600	5-21
904422	4-35, 5-13, 5-17	907386	4-61	907643	4-57
904498	4-55	907388	4-17	907653	5-23
904630	5-13, 5-17	907389	3-67	907664	3-77
904862	3-19	907390	3-81, 4-13	907672	5-3, 5-7
904903	5-9	907391	3-65, 4-56, 4-57	907679	6-3
904930	5-5	907392	4-13, 4-17, 4-56,	907716	5-5
905367	3-79	4-57		907717	4-41
905383	4-59	907393	4-56, 4-57	907724	4-56, 4-57
905582	4-51	907395	4-17	907727	4-56, 4-57
906349	4-45	907396	4-17, 4-56, 4-57	907744	4-53
906401	4-17	907402	3-63, 3-65	907770	3-65
906907	3-79	907403	3-65, 6-11	907771	2-11, 4-51, 6-15
907069	3-77	907404	3-65, 6-11	907783	4-41
907078	4-45	907407	6-3	907785	4-63, 4-67, 4-73
907085	4-35, 5-13, 5-17	907411	2-11, 4-59	907786	4-63, 4-67, 4-71,
907088	4-17	907412	4-41, 4-61	4-73	
907089	2-3, 2-7	907417	4-61	907787	4-71
907092	6-11	907418	4-17	907788	4-73
907095	5-3, 5-7, 6-11	907419	4-17	907807	3-79
907104	5-11, 5-17	907425	4-57	907981	5-23
907105	5-11, 5-17	907429	2-11, 4-41, 4-51	907982	5-23
907107	4-63	907430	4-56, 4-57		
907107	4-51	907432	4-17		
907110	4-41	907434	4-17		
907139	4-41	907435	2-11		
907141	4-74	907436	2-11		

INDEX, ALPHA

A		Electric	4-9	Rail	4-11, 4-63, 4-65
Accumulator	4-13, 4-41	Engine	4-63, 4-67	Relief	4-11, 4-71, 4-73
Axle	4-37, 4-39	F		Reservoir	4-59, 4-61
B		Fan	4-21, 4-71, 4-73, 4-74	Retainer	4-37
Ball	4-3, 4-7, 4-11, 4-37, 4-39, 4-41, 4-63, 4-67, 4-71, 4-73	Filter	4-11, 4-21, 4-41, 4-59, 4-61, 4-67, 4-71, 4-73	Rod	4-11, 4-37, 4-39, 4-41, 4-51, 4-74
Battery	4-63, 4-67, 4-71, 4-73	Foam	4-11, 4-63, 4-65, 4-67	S	
Bearing	4-47, 4-49, 4-74	Frame	4-37, 4-38, 4-39, 4-40, 4-41	Safety	4-51
Belt	4-3, 4-11, 4-35	Fuel	4-9, 4-63, 4-65	Shift	4-15
Boot	4-15	Fuse	4-9	Slide	4-19, 4-37
Box	4-63, 4-67, 4-71	G		Socket	4-51
Brace	4-11, 4-39, 4-41, 4-53, 4-55, 4-63, 4-65	Gauge	4-17, 4-27, 4-59	Spacer	4-9, 4-17, 4-19, 4-39, 4-41, 4-49, 4-53, 4-55, 4-71
Brake	4-11, 4-13, 4-49	Guard	4-37, 4-41, 4-74	Spray	4-3, 4-7
Breather	4-3, 4-59, 4-61	Guide	4-37, 4-67	Spring	4-11, 4-13, 4-37, 4-47, 4-49, 4-63, 4-67, 4-71
Bumper	4-15, 4-63, 4-65, 4-67, 4-71, 4-73	H		Steering	4-9, 4-27, 4-39, 4-41
C		Heat	4-20, 4-21	Step	4-41
Cab	4-5, 4-8, 4-9, 4-10, 4-11, 4-12, 4-13, 4-14, 4-17, 4-22, 4-23, 4-24, 4-25, 4-26, 4-27, 4-28, 4-29, 4-31, 4-71, 4-73	Hose	4-3, 4-5, 4-7, 4-9, 4-35, 4-37, 4-41, 4-51, 4-63	Strainer	4-61
Cable	4-5, 4-71, 4-73	Hydraulic	4-58, 4-59, 4-61	Switch	4-9, 4-15, 4-19, 4-27
Cap	4-5, 4-11, 4-19, 4-27, 4-35, 4-39, 4-41, 4-51, 4-59, 4-61	I		T	
Chassis	4-1, 4-2, 4-3, 4-4, 4-5, 4-6, 4-7, 4-8, 4-9, 4-10, 4-11, 4-12, 4-13, 4-14, 4-15, 4-16, 4-17, 4-18, 4-19, 4-20, 4-21, 4-22, 4-23, 4-24, 4-25, 4-26, 4-27, 4-28, 4-29, 4-30, 4-31, 4-32, 4-33, 4-34, 4-35, 4-36, 4-37, 4-38, 4-39, 4-40, 4-41, 4-42, 4-43, 4-44, 4-45, 4-46, 4-47, 4-48, 4-49, 4-50, 4-51, 4-52, 4-53, 4-54, 4-55, 4-56, 4-57, 4-58, 4-59, 4-60, 4-61, 4-62, 4-63, 4-64, 4-65, 4-66, 4-67, 4-68, 4-69, 4-70, 4-71, 4-72, 4-73, 4-74	Indicator	4-37, 4-63, 4-71	Tank	4-3, 4-4, 4-5, 4-6, 4-7, 4-9, 4-11, 4-13, 4-59, 4-61, 4-63, 4-65
Check	4-13	K		Tire	4-42, 4-43, 4-44, 4-45
Clamp	4-3, 4-5, 4-7, 4-37, 4-41, 4-51, 4-55, 4-67, 4-71, 4-73	Kit	4-15, 4-16, 4-17, 4-29, 4-34, 4-35, 4-37, 4-39, 4-41, 4-47, 4-49, 4-51, 4-59, 4-61, 4-67	V	
Clevis	4-37, 4-41, 4-51	Knob	4-27	Vinyl	4-3, 4-5, 4-7, 4-37, 4-51
Connector	4-17, 4-19	L		W	
Control	4-27	Lens	4-29	Was	5-17
Cover	4-9, 4-11, 4-13, 4-29, 4-47, 4-49, 4-59, 4-61, 4-63, 4-65, 4-67, 4-71, 4-73, 4-74	Lever	4-9	Wheel	4-27, 4-74
Crank	4-19	Light	4-9, 4-15, 4-27, 4-55		
Cylinder	4-37, 4-39, 4-41, 4-47, 4-51	Link	4-19, 4-51, 4-63, 4-65		
D		M			
Decal	4-27, 4-37, 4-55, 4-61	Mirror	4-9		
E		Motor	4-19, 4-21, 4-41, 4-46, 4-47, 4-48, 4-49		
		Muffler	4-41		
		N			
		Nozzle	4-3, 4-7, 4-41		
		O			
		Oil	4-35, 4-59, 4-61, 4-71, 4-73		
		P			
		Panel	4-27, 4-63, 4-67		
		Pedal	4-11, 4-13		
		Pin	4-11, 4-13, 4-19, 4-37, 4-39, 4-41, 4-51, 4-53, 4-63, 4-65, 4-67		
		Pivot	4-37, 4-39, 4-41, 4-63, 4-67		
		Pressure	4-61		
		Pump	4-41		
		R			

RECORD OF REVISION

REV/Date	Chp.	Pages	Description
A February, 2003	1	4-5	TOC Updated
	2	4-5	Items 54-56 added
	3	22,59	Items 0,0,0 and 27 added. 07.10640 corrected. Part no. revisions.
	4	9,11,13,32-35,45,50-53,56-57	SN's added. Cylinder 21.21510 updated. 21.22831 was 21.21540. 46g added. Cylinder part nos. updated, keys 21f,21d, 92 updated. Brake valve & cover added. Key 53 updated, spray pump & wide leg valves added.
	5	11,13,15,17,22-23	907542 was 21.00184. 907542 was 21.00184. Radiator cap, vinyl clamp & bracket (items 31-3a) added.
	6	3,8-12	Item 17 updated. Valves updated, items 6,11,33a,33b&34 added. Pages renumbered.
	8	1-4	Option 21.000733 added, pages renumbered.
	9	1-18	Indexes updated & Record of Revision added.
	B May, 2003	1	3-5
2		2, 4, 5, 6, 8, 10	Add detail 10
		11	Item 33 added
3		12	Note revised, S/N altered, S/N added; Items 16-18 added
		13	Note revised, S/N altered, S/N added; Items 17-18 added
		14	Added Noncurrent on Machines Prior to S/N 21.12263
		15	Table format revised
		16	Added Foamer Illustration
		17	Added Foamer Parts List
		18	S/N's added. Items 18, 19, 21, 22, 24, 33 added
		19	Item 5 description revised; Items 18, 19, 21, 22, 24, 33 added
		22	Item 31 added
		27	Item 29 was incorrect, now 07.12298
		36, 37, 38	Item 44 changed from 07.10476 Strainer, Poly 2" Female Pipe to 07.07004 Strainer, Poly Flange 2" Std.
		39	Added Item 61; Added "(Non Current) to Items 111, 111a, 112, 113, 114, 115, 116); Part number for Item 131 changed from 07.10491 to 07.10481
		53	Item 2 changed from 07.73600 to 907402
55		Item 19 changed from 07.17716 to 07.08477	
59		Changed S/N in Item 1; Changed Description and Added S/N to 1b; Changed Item 7 from 07.10383 to 07.10683, 07.10640 to 07.10682, added 07.06654	

	4	4, 5, 6, 7	Changed 1 to 1a, added 1b; Added Items 38-40
		11	Changed Item 56a from 07.16037 to 21.22640
		12, 13	Added Items 104-107
		20, 21	Added Item 4
		22, 23	Added Items 59-60
		31	Added Item 55
		33	Added 21.00707L & 21.00707R to Item 2, Removed 21.00707; Added S/N to Item 28; Changed Description of Item 32, Added 21.09012 to Item 32
		35	Changed Description of Item 46c
		49	Added Item 47b; Changed Item 120 from 90751 to 907521
	5	2, 4	Changed Item 19 to Item 12, Added Item 73
		3, 6, 7	Added S/N, part numbers and changed descriptions to Item 9; Changed S/N for Items 21 & 21a; Added Item 12
		5	Added Item 73
		8, 9	Added Item 77
		11	Changed Item 5 from 21.21698 to 21.22698
		13, 15	Changed Item 53 from 21.00885 to 21.22958
		17	Changed Item 72 from 21.20014 to 21.22014
		21	Changed Item 68 from 21.22722 to 21.22955; Changed Item 69 from 907529 to 907548
		23	Added S/N's to Items 31 & 32; Changed Item 64 from 21.20843 to 21.22906
	6	3	Changed table format; Changed Item 0 from 21.20028 to 21.22698; Removed 907176 from Item 17 and Added 907544; Added Item 28
		4, 5	Added Item 44
		7	Changed Item 13 from 21.00517 to 21.22908, added S/N; Removed 21.00515 from Item 14
		8	Removed Box From Bladder Kit
		9, 10	Added Item 42
		11	Added S/N to Item 36, Added Item 42
	8	1	Added 21.00730, 21.00731, 21.00729; Removed 21.21033
		2	Added 21.00732, 21.00724, 21.00725, 21.00726, 21.00727, 21.00728, 21.00735, 21.00736
	9	1-18	Indexes updated & Record of Revision added.
C August, 2004	1	7-8	21.09026 updated, 21.23451 was 21.09004
	9	18	Revision C added
D November, 2004	All	All	Part No., Effectivity & Artwork Changes Throughout - Refer To Footer Date.
E March, 2005	All	All	Part No., Effectivity & Artwork Changes Throughout - Refer To Footer Date.

F August, 2005	1	6, 8, 9	Decal Kits+, Decals updated.
	2	7.	21.00742 was 21.05055.
	3	13. 18-19. 22-23.24.25.26	07.20887 added. 21.24129+. 21.23923 added. 21.20664 and 07.12279 added.07.12153, 07.09363, 21.00813 desc. updated. 21.24191 added.
		37-44. 38-39. 45. 74.	Pg format chg to 11x17. Ills updated, 21.30528+, 21.30529 was 07.09281. 21.30529 was 21.30521. W6 and W8 switched.
	4	5.	21.21228,21.21628,21.21229,21.21227,07.07984+.
		8-13.22-23. 28-29.31-30.	21.24152+,21.23186 was 21.00008. 21.24246 & 21.31341 added. 21.24195 & 21.24152 added. 21.23121+. Ills corrected, 21.07174 desc corrected.
		43, 45. 47. 50-51.	item 070 updated, txt flow changed. 21.22907 was 21.22961. 21.24184, 21.24182, 21.24183+.
		52-53. 54-68.	Molded Fender Kit +, 21.23966 was 21.00559. Pages renumbered. 21.23966 was 21.00559. 21.24100,21.24101+. New pages inserted for 21.00796 & 21.00797.
	5	18-23.	21.23527,21.22415,21.23611,21.23956,21.23955,21.23957 added. 21.24189, 21.24166+.
		3,7. 4-5.	21,24105 was 21.00087. 907716 added.
	6	4-5. 9. 13-14.	21.23453,21.23455,21.00258 added, ills updated. 32.03962 was 21.21861. 21.23431+.
	7	9. 11. 12-15. 22.	21.23456+. 21.01016,21.01017+. 32.04828+. 21.23916+.
	8	1.	21.23813,21.00796,21.00797+.
9	1-23	Update Part No. Index, +Revision F	
G December 2005	1	6,9,13	Added 07.09573, replaced 21.22601 w/ 21.21455,add 21.24365
	3	2,4,6,8,10	chnegd numbers w/ -'s to numbers w/.'s.
	3	9	Revised holes on 1.5 Boom Line.
	3	19	chnegd item #33 to #23
	3	38-39 & 45	Update 21.23677
	3	39,41	chnegd item 41 from 21.23679 to 21.23684
	3	41	chnegd item 40 from 21.06700 to 07.06700
	3	43	chnegd 07.21696 to 07.10696
	3	58-59	add item 26 - 0706872
	3	60-61	add item 38 - 0706872,update 21.24546
	3	75	Add Boom Blow Out Option
	3	78-79	Add 21.00692
	4	8,10-12	chnegd item 55 from 21.07174 to 21.24215, add 21.24371
	4	13	chnegd item 109 from 21.32341 to 21.31341
	4	20-21	Add Cab, Ducts & Vents
	4	26-27	Add 32.61589
	4	26-27	Add Item 45 - 32.61798, item 46 - 21.22109, item 47 - 32.61799, item 48 - 32.61800,remove item 40
4	29	Added 32.61790, 32.61756 & Cover for Dec 2005	

RECORD OF REVISION

9-25

G December 2005	4	34,36-37	Added 21.24276 & 21.24277
	4	35	Chngd 1a to 21.23192, 19a to 21.23191 & Replacement part to 21.23302
	4	38-39	Bumped table to ills pg, added Item 0 - 21.24486 & 21.24487
	4	39	Add to item #1 - 21.24426 & 21.24427, to item #2 - 21.24396, to Item #3 - 21.31052
	4	42-45	add item 003-21.24397, 004 - 21.24398 & 005 - 21.22037
	4	43	Add decimal to 21.23973
	4	46-47	Add 21.24260
	4	46,48-49	add 21.24290,21.24253,21.24254,24.24418,907744,21.24416
	4	52-53	Condensed Fender kit to one page, add another fender kit
	4	54-55	add item 1h-21.24381, item 18-32.04537 & ills of Filter Asm 21.23966, SN's for filters
	4	54-55	Add 32.61833
	4	66-67	Add Item 10a - 21.24494, 21.24232, 21.24233, 21.24489,21.24490 &21.24231
	5	9	chngd item 67 from 21.202947 to 21.20947
	5	11	Delete 21.00929, Add 21.24601 & 24.601R, chng description of 21.22530
	5	13	Chng 51 to 51A, add 21.24099.5
	5	15	Add 21.24601, 21.24601R & 21.24099.5, Chng 21.22529 to 21.22530
	5	17	Chng 21.22014 to 21.00752
	5	23-24	Added 21.24249
	6	2- 3	Add Item #32 - 21.31645
	6	7	Changed 21.00263 To 21.00516
	6	8-11	add SN eff & 21.22136
	6	11	Delete 21.22835
	6	14	Add 21.00807
	7	5	chngd item 8 from 21.00029 to 21.24272
	7	10-11	Add item #22e,f,g to ills, add item #22g - 21.24509 to parts list
	7	16	chngd 21-21919 to 21.21919, 21-21661 to 21.21661 & 21-21945 to 21.21945
	7	21	Add Extensions 21.24430 & 21.23963
	7	22	Added 21.24419 & 21.24431
8	1	Reversed SN for 21.00796 & 21.00797	
8	2	Add 21.24429	
9	1-24	Update Part No. Index, +Revision G	
G December 2005	4	24-33	Update cab glass, interior & exterior. Add 2006 cabexterior and lights, cab exterior.
H March 2007			Numerous updates and revisions.
J June 2007	1	9,11,13	Update Decals
	2	4-5	Add 21.25542

J June 2007	2	10-11	Add 21.23459 & 21.24823.5
	4	8-13	Add 21.24711,21.23913 & 21.23605.5
		19	Chng Callout letters to Lower Case
		21	Update descriptions for items 2 & 5, Add 21.25237
		23	Add 21.24937
		29 & 31	Add S/N's
		35	Add 21.24861.5 & 21.24580
		39	Add 21.24288
		41	Chng Hardware (item 112) to 3/8" (was 1/2)
		51	Add 21.23681, Update descriptions w/ Series #'s.
		54-55	Add 21.24714,21.24715,21.24716,21.2471121.24717,21.24712, 21.24718,21.24719, 21.24721,21.24722,21.24887 & 21.23912
		57	Chng last item 21 to item 23
		63	Add 21.24705
		64-65	Add21.24705 & 21.24682
		70-71	Add 21.24337 & 21.25387
		72-73	Add Sheet Metal For 3275HT
	5	3 & 5	Add 21.24705.5, 21.24596, 21.22943, 21.24666, 21.25035, 904195, 21.24710, 21.25036
		6-9	Add 21.24705.5, 21.24539, 21.24596, 21.22943, 21.24666, 21.25035, 904195, 21.24710, 21.25036, 21.24621, 21.24620, 21.24608, 21.24622, 21.00347, 21.24629, 21.24611, 21.24610, 21.24623
		10-17	Add 21.21138, 21.21136, 21.21137, 21.22517, 21.22518, 21.22210, 21.22211, 21.22519, 21.24568, 21.24581.5, 21.24844
		2-23	Add Cooling System for S/N 21.12733 & After
	6	3	Update 21.25490
		6-7	Add 21.24682 Parts Breakdown
		8-9	Add 21.25246 Parts Breakdown
		10-18	Pages Renumber
	7	2-3	Add 21.30266, 21.24755, 21.24582, 21.30313
		4-5	Add 21.24567, 21.20694, 21.24726, 21.30224
		16-22	Add & Update References for 3275 harness additions
		23-25	Add 21.23673, 21.24674, 21.24566, 21.24676,21.24565,21.24931

This Page Intentionally Blank

